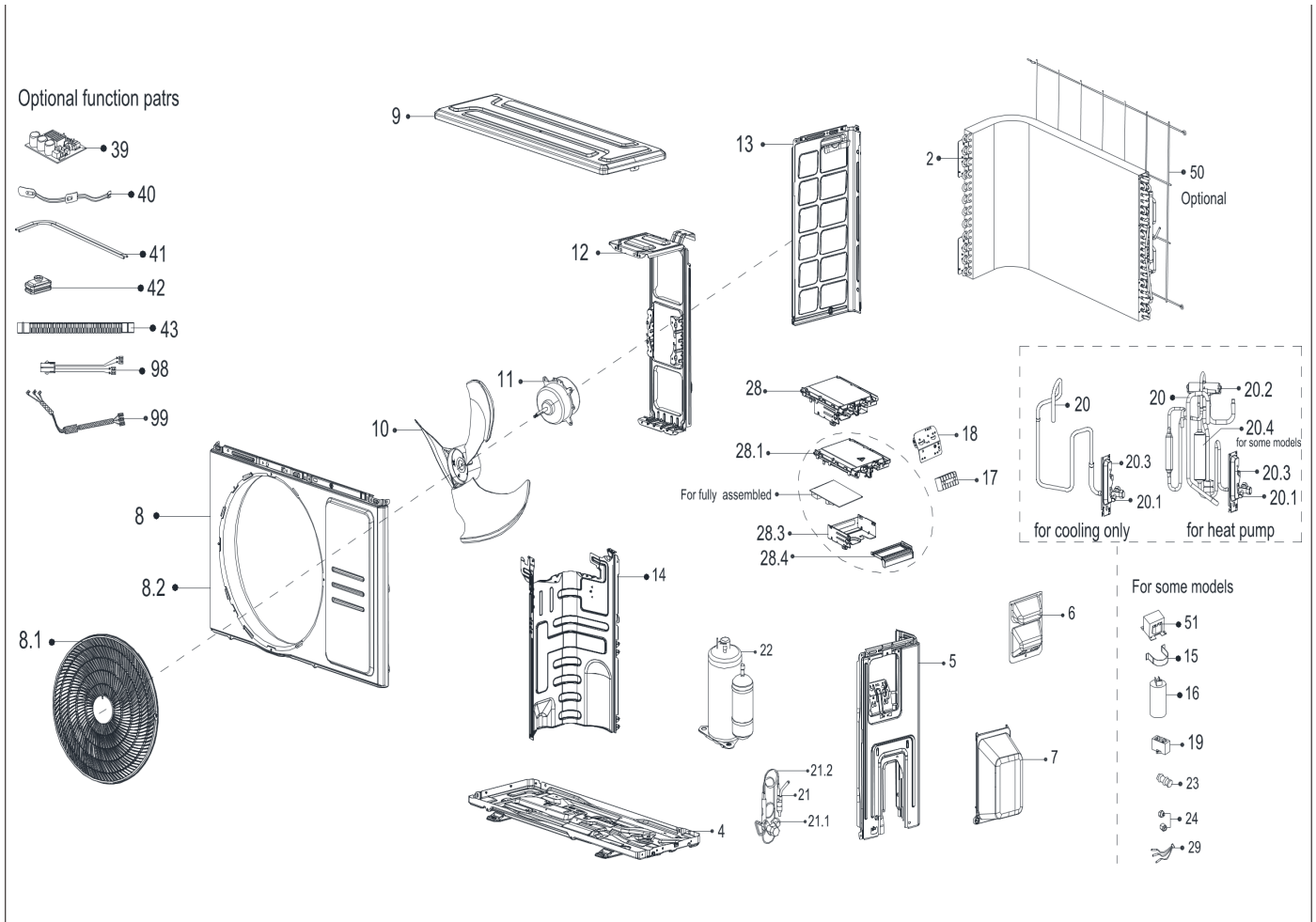


# Exploded View

**Model** CIM12CA(O)

**ComfortStar®**



EX_ID	Spare Parts Code	Part Name(EN)	Qty.	Price	Remarks
2	15822000A17009	Condenser assembly	1		
4	12222000012131	Chassis Assembly	1		
5	12222000012141	Right Clapboard Assembly	1		
6	12222000010966	Big handle assembly	1		
7	12122000007150	Water Collector	1		

8	12222000013185	Front panel assembly	1		
8.1	12222000013187	Air outlet grille	1		
8.2	12222000013186	Front panel	1		
9	12222000014305	Top Cover Assembly	1		
10	12100105000821	Axial Flow Fan	1		
11	11002015000039	Brushless DC Motor	1		
12	12222000012390	Motor Bracket	1		
13	12222000012135	Left Side Panel	1		
14	12222000013188	Partition board assembly	1		
17	17400401000068	Terminal	1		
18	12222000002259	Terminal Board	1		
20	15422000016376	Gas valve assembly	1		
20.1	15500204000058	Gas Valve	1		
20.3	12222000002571	Valve Plate	1		
21	15422000017372	Liquid valve assembly	1		
21.1	15500208000046	Liquid Valve	1		
21.2	15122000025834	Capillary	1		
22	11103020005082	DC Inverter Rotary Compressor	1		
25	15111600A00020	Connecting pipe assembly	1		
28	17222000031279	Electronic Control Box Subassembly	1		
28.1	12122000024223	Support of Electronic Control Box	1		
28.3	12222000012106	Electronic Installing Box Subassembly	1		
28.4	12122000024222	Fixing board	1		
29	11201011000067	Combination Sensor	1		
50	12222000012385	Rear net	1		
99	17401203012697	Compressor Wires Subassembly	1		