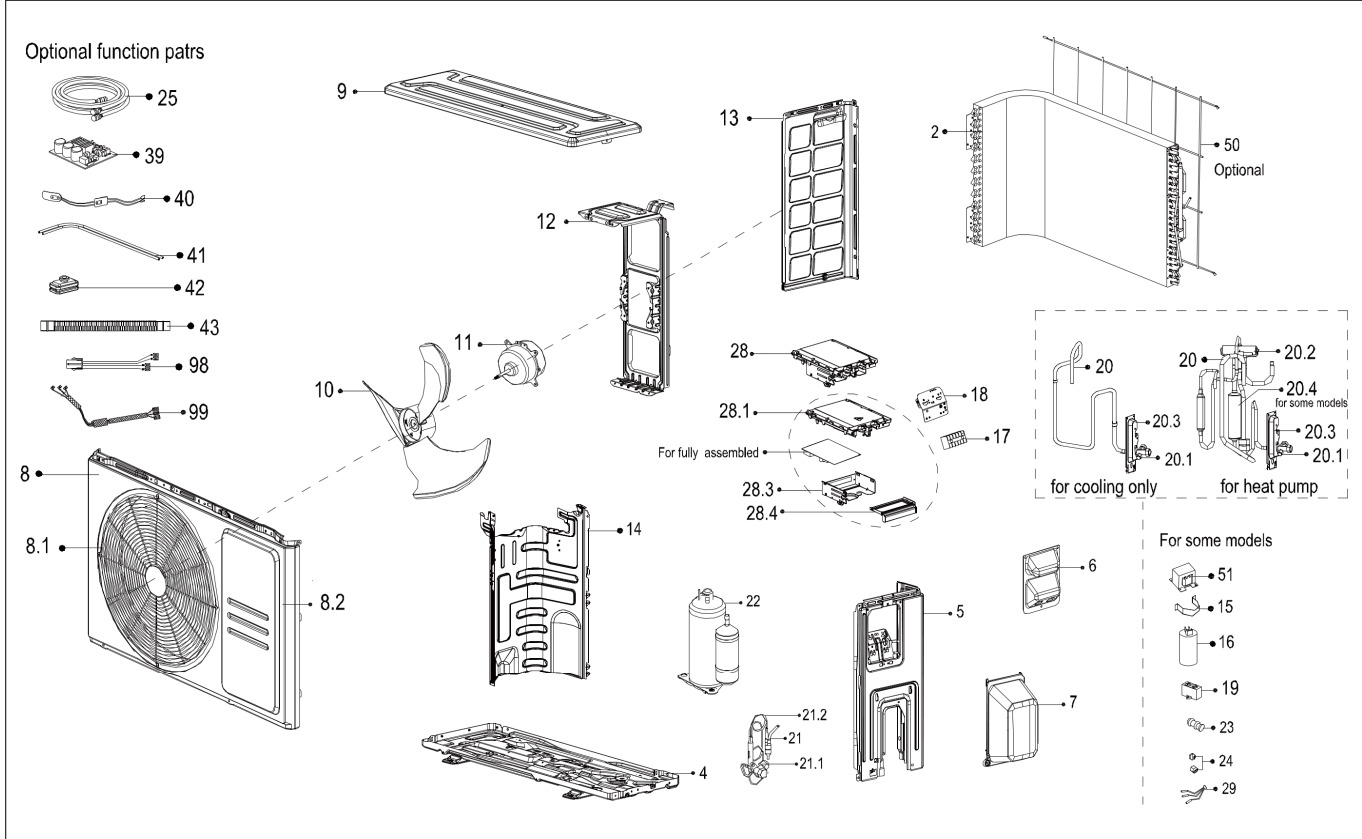


Exploded View

Model CIM12CD(O)

ComfortStar®



EX_ID	Spare Parts Code	Part Name(EN)	Qty.	Price	Remarks	Update
2	15822000A17009	Condenser assembly	1			
4	12222000012131	Chassis assembly	1			
5	12222000012141	Right clapboard assembly	1			
6	12222000010966	Big handle assembly	1			
7	12122000007150	Water collector	1			
8	12222000013185	Front panel assembly	1			
8.1	12222000013187	Air outlet grille	1			
8.2	12222000013186	Front panel	1			
9	12222000014305	Top cover assembly	1			
10	12100105000821	Axial flow fan	1			
11	11002015000039	Brushless DC Motor	1		CSN after*20830xxxx	20230713
	11002015000039				CSN after*20827xxxx	20230713
	110020150000396				CSN after*20322xxxx	20230713
12	12222000012390	Supporter of fan motor	1			

13	12222000012135	Left supporter	1			
14	12222000012266	Partition board	1			
17	17400401000068	Terminal	1		CSN after*21426xxxx	20230713
	17400401000075				CSN after*20322xxxx	20230713
18	12222000002259	Terminal board	1			
20	15422000016376	Gas valve assembly	1			
20.1	15500204000058	Gas valve	1			
20.3	12222000002571	Valve plate	1			
21	15422000017372	Liquid valve assembly	1			
21.1	15500208000046	Liquid valve	1			
21.2	15122000025834	Capillary	1			
22	11103020005082	DC Inverter Rotary Compressor	1			
25	15111600A00020	Connecting pipe assembly	1			
28	17222000034709	Electronic control box subassembly	1		CSN after*20928xxxx	20230713
	17222000031296				CSN after*20830xxxx	20230713
	17222000034709				CSN after*20827xxxx	20230713
	17222000031296				CSN after*20322xxxx	20230713
28.1	12122000024223	Support of electronic control box	1			
28.3	12222000012106	Electronic installing box subassembly	1			
28.4	12122000024222	Fixing board	1			
29	11201011000067	Combination sensor	1			
50	12222000012385	Rear net	1			
99	17401203012697	Compressor wire subassembly	1			