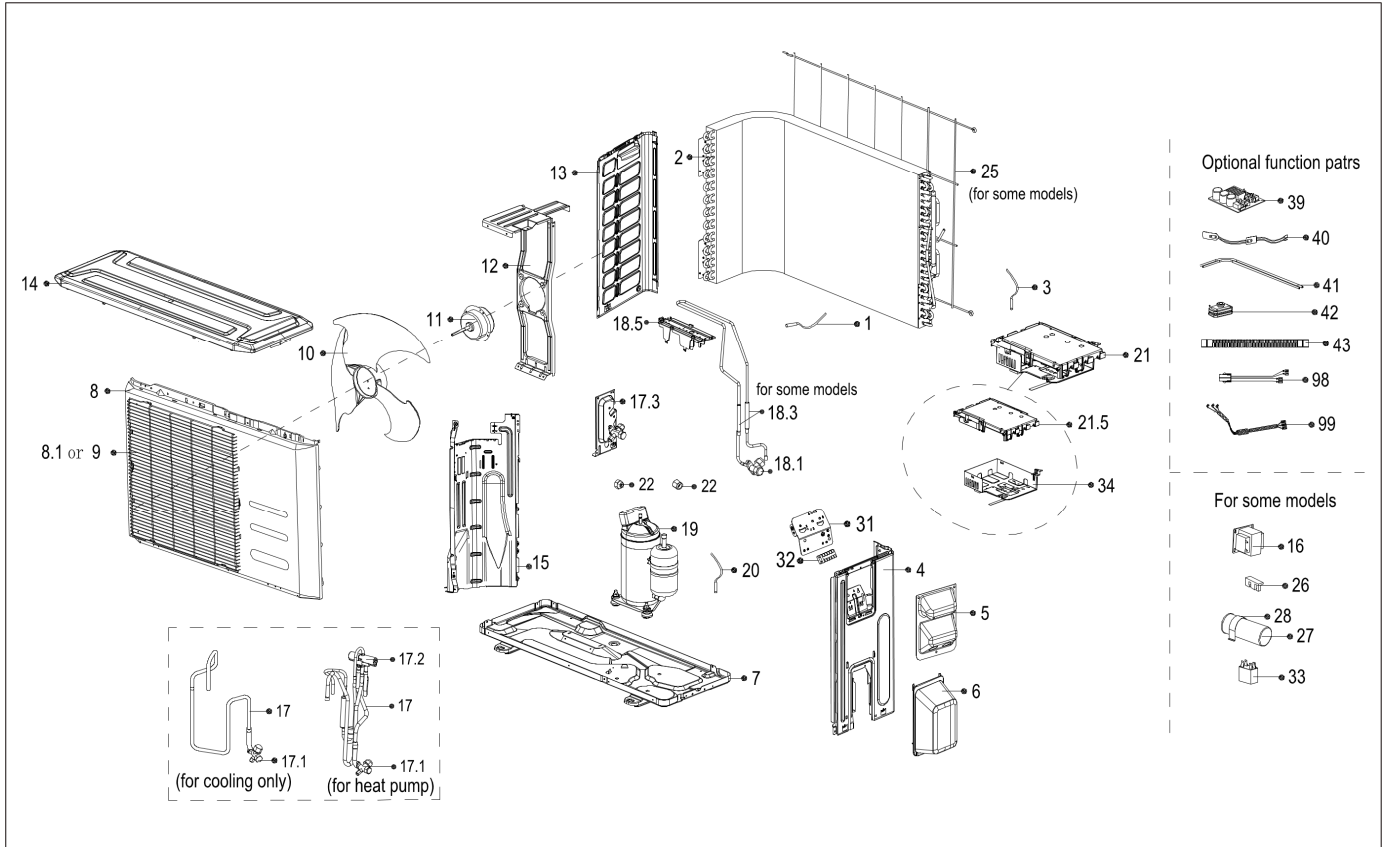


Exploded View

Model CIM18CD(O)

ComfortStar®



EX_ID	Spare Parts Code	Part Name(EN)	Qty.	Price	Remarks	Update
1	11201007000039	Room Temperature Sensor	1			
2	15822000A16073	Condenser assembly	1			
3	11201007002320	Pipe Temperature Sensor	1			
4	12222000006249	Right clapboard assembly	1			
5	12222000010966	Big handle assembly	1			
6	12122000007150	Water collector	1			
7	12222000004427	Chassis assembly	1			
8	12222000004842	Front panel assembly	1			
9	12222000007424	Air outlet grille	1			
10	12100105000004	Axial flow fan	1			
11	11002015008264	Brushless DC Motor	1		JSN after*19106xxxx	20230713
	12222000008924				CSN after*18428xxxx	20230713
	11002015006761				CSN after*18416xxxx	20230713
	11002015008264				CSN after*18409xxxx	20230713

	11002015006761				CSN after*17827xxxx	20230713
12	12222000009164	Supporter of fan motor	1			
13	12222000006244	Left supporter	1			
14	12222000016006	Top cover assembly	1			
15	12222000004425	Partition board	1			
17	15422000004757	Gas valve assembly	1			
17.1	15500204000058	Gas valve	1			
17.3	12222000002571	Valve plate	1			
18	15422000009473	Liquid valve assembly	1			
18.1	15500208000028	Liquid valve	1			
18.5	12122000008879	U-Typed Support with Copper Pipe	1			
19	11103020003919	DC Inverter Rotary Compressor	1		JSN after*19707xxxx	20230713
	11103020003919				CSN after*20322xxxx	20230713
	11103020003099				JSN after*19106xxxx	20230713
	11103020003099				CSN after*17827xxxx	20230713
20	11201007000005	Discharge Temperature Sensor	1			
21	17222000024572	Electronic control box subassembly	1			
21.5	12122000008999	Electronic installing box	1			
24	15111600A00020	Connecting pipe assembly	1			
25	12222000003986	Rear net	1			
31	12222000002259	Terminal board	1			
32	17400401000068	Terminal	1			
34	12222000003559	Electronic installing box	1			
99	17401203000802	Compressor wire subassembly	1			