



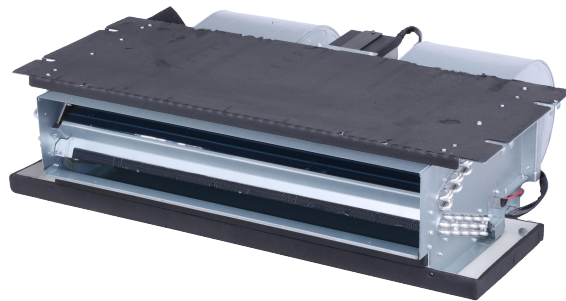
# Submittal

## Split System Cooling

CHX36CD

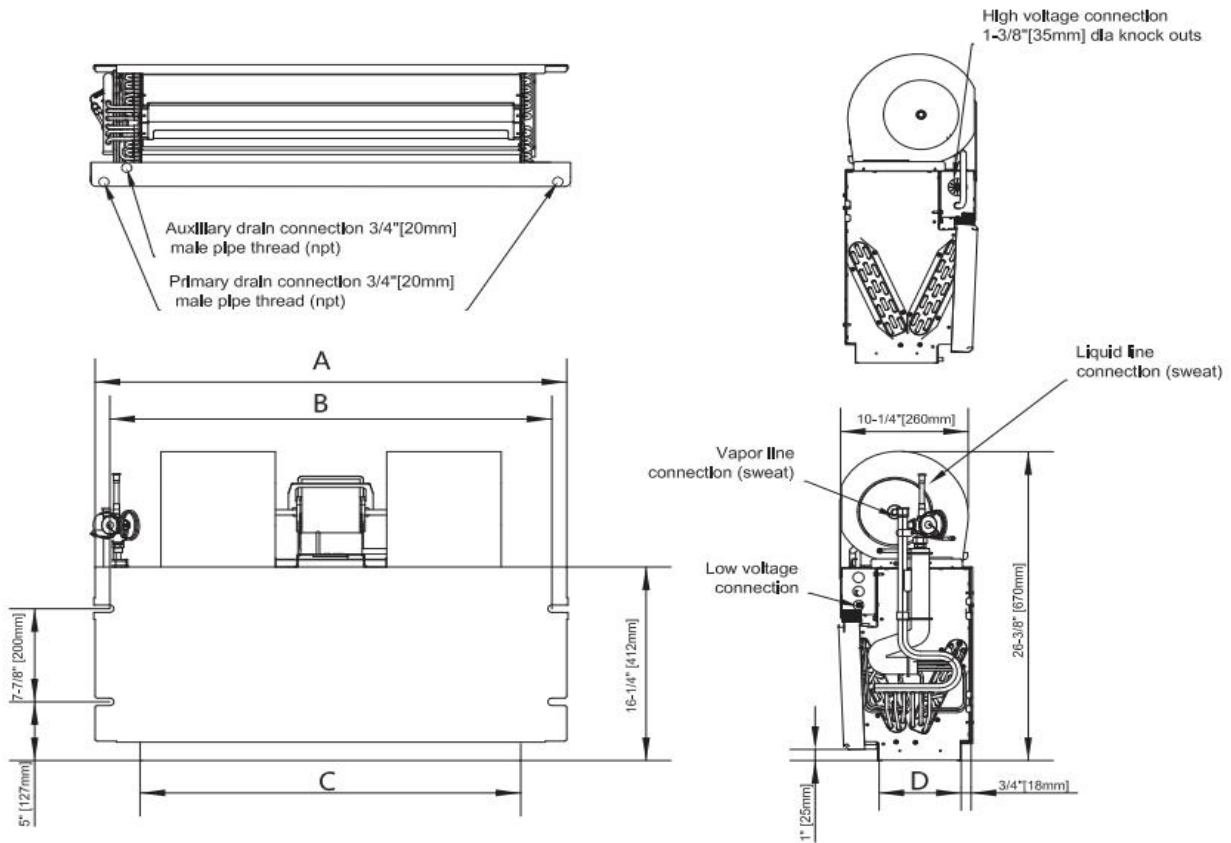
Location: \_\_\_\_\_  
Engineer: \_\_\_\_\_  
Submitted to: \_\_\_\_\_  
Submitted by: \_\_\_\_\_  
Reference: \_\_\_\_\_

Approval: \_\_\_\_\_  
Date: \_\_\_\_\_  
Construction: \_\_\_\_\_  
Unit # : \_\_\_\_\_  
Drawing # : \_\_\_\_\_



Note: " Graphics in this document are for representation only. Actual model may differ in appearance."

## Unit dimension



Model Size	Dimensions- inches [mm]				Unit Operating Weight lbs (kg)
	A	B	C	D	
18	37-1/4 [946]	34-11/16 [881]	30 [762]	6-1/2 [165]	75 (34)
24	37-1/4 [946]	34-11/16 [881]	30 [762]	6-1/2 [165]	75 (34)
30	49-1/4 [1251]	46-11/16 [1186]	42 [1067]	6-1/2 [165]	95 (43)
36	49-1/4 [1251]	46-11/16 [1186]	42 [1067]	6-1/2 [165]	95 (43)



## Specification

<b>MODEL</b>	<b>CHX36CD</b>
<b>NOMINAL RATING</b>	
External Static	60
<b>ELECTRICAL DATA</b>	
Voltage / Phase(60Hz)	208/230/1
Min./ Max. Voltage	187/253
Min. Circuit Amps	3.3
Max. Overcurrent Protection	15
<b>FAN MOTOR</b>	
Motor Type	ECM
Capacitor (uF)	/
Horsepower(HP)	1/3
Rated RPM	1050
Full Load Amps (FLA)	2.6
<b>FAN BLOWER</b>	
Material	Metal
Type	Centrifugal
Diameter(in.)	7
Height(in.)	9
<b>EVAPORATOR COIL</b>	
Type	Tube & Fin
Tube Material	Aluminum
Tube Size(in.)	9/32
<b>SOUND POWER(dB)</b>	54
<b>REFRIGERANT CONNECTION SIZE</b>	
Liquid Line Size (O.D.)	3/8
Suction Line Size (O.D.)	3/4

Outdoor Unit	Indoor Unit	Cooling Capacity	EER2	SEER2	Heating Capacity	HSPF2
BAR5-36-15	CHX36CD	33000	11.7	14.3	/	/
BAH5-36-15	CHX36CD	32800	11.7	14.3	32800	7.5
MAH5-36-410	CHX36CD	33000	11.2	13.4	/	/

# ComfortStar®

12201 N W 107th Avenue  
Miami, FL 33178  
1.866.524.9898 Toll Free  
305.500.9898 Office  
305.500.9896 Fax  
<http://www.comfortstarusa.com>

---



The AHRI mark indicates Comfortstar participating in the AHRI Certification program. Visit [ahridirectory.org](http://ahridirectory.org) for verification of individual certified products. Comfortstar reserves the right to change design and specs without notice. Comfortstar has a policy of update the data continuously. We are committed to using environmentally conscious print practices.

CHX36CD 1th Feb. 2024  
Supersedes CHX36CD (Feb.2024)

© 2024 ComfortStar