



# Submittal

## Split System Cooling

CWM5-24-15R

Location: \_\_\_\_\_  
Engineer: \_\_\_\_\_  
Submitted to: \_\_\_\_\_  
Submitted by: \_\_\_\_\_  
Reference: \_\_\_\_\_

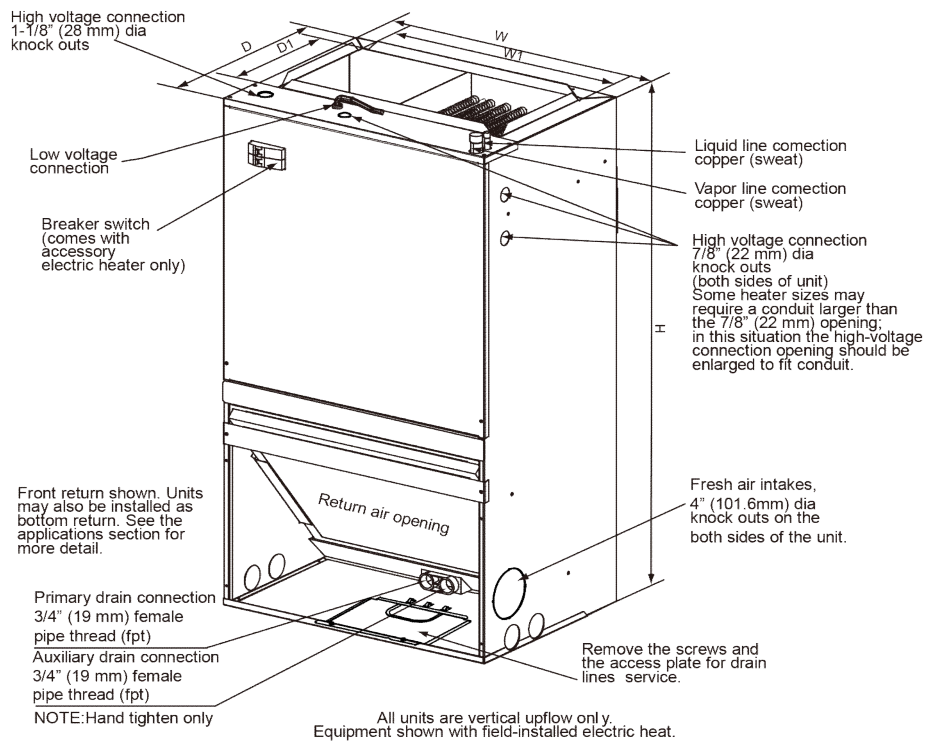
Approval: \_\_\_\_\_  
Date: \_\_\_\_\_  
Construction: \_\_\_\_\_  
Unit # : \_\_\_\_\_  
Drawing # : \_\_\_\_\_



Note:"

*Graphics in this document are for representation only. Actual model may differ in appearance."*

## Indoor unit dimension



Model	Dimensions [IN.]					Unit Weight/Shipping Weight Lbs.
	Unit Height "H" IN.	Unit Width "W" IN.	Unit Width "W1" IN.	Unit Depth "D" IN.	Unit Depth "D1" IN.	
18K/24K	36-1/2	20-1/2	17-2/5	15	9-1/2	79/95
30K/36K	39-1/2	22	18-4/5	19	9-1/2	97/119



## Specification

<b>Model</b>		<b>CWM5-24-15R</b>
<b>NOMINAL RATING</b>	Cooling(BTU/h) External Static	24000
	Pressure(in.w.c)	0.6
<b>ELECTRICAL DATA</b>	Voltage /Phase(60Hz)	208/230/1
	Min./Max.Voltage	187/253
	Min.Circuit Amps	1.3
	Max.Overcurrent Protection	15
<b>FAN MOTOR</b>	Motor Type	PSC
	Capacitor (uF)	6
	Horsepower (HP)	1/4
	Rated RPM	1075
	Full Load Amps (FLA)	1
<b>FAN BLOWER</b>	Material	Metal
	Type	Centrifugal
	Diameter(in.)	10-3/4
	Height(in.)	6
<b>EVAPORATOR COIL</b>	Type	Tube & Fin
	Tube Material	Aluminum
	Tube Size(in.)	9/32
<b>Unit Dimensions(inch)</b>	Height	36-1/2
	Width	20-1/2
	Depth	15
<b>SOUND POWER (dB)</b>		54
<b>REFRIGERANT CONNECTION SIZE</b>	Liquid Line Size (O.D.)	3/8
	Suction Line Size (O.D.)	3/4

Outdoor	Indoor	Cooling Capacity	EER2	SEER2	Heating Capacity	HSPF2
MAH5-18-410	CWM5-24-15R	17800	11.2	13.4	/	/
MAH5-30-410	CWM5-24-15R	26200	11.2	13.4	/	/
BAR5-24-15	CWM5-24-15R	23200	11.7	14.3	/	/

### Electric Heater Kits

NO.	Kit	Description	Ref. Air Handler Use
1	CHE2-05B	5kW Heat Strip	18/24/30/36
2	CHE2-08B	7.5kW Heat Strip	18/24/30/36
3	CHE2-10B	10kW Heat Strip	18/24/30/36
4	CHE2-15B	15kW Heat Strip, double Breaker panel	18/24/30/36
5	CHE2-20B	20kW Heat Strip, double Breaker panel	18/24/30/36

### Electric Kit Mca/Mop Data

Heater Kit Model Used	Air Handler Model	Electric Heat (kW)	Min. Circuit Ampacity		Max. Fuse or Breaker (HACR) Ampacity		Fan speed (AC/HP)		
			240V	208V	240V	208V	Low	Medium	High
CHE2-05B	18	5	28.1	24.6	30	25	●	●	●
CHE2-08B		7.5	41.1	35.9	45	40	●	●	●
CHE2-10B		10	54.1	47.2	60	50	●	●	●
CHE2-05B	24	5	29	25.5	30	30	●	●	●
CHE2-08B		7.5	42	36.8	45	40	●	●	●
CHE2-10B		10	55	48.1	60	50	●	●	●
CHE2-05B	30	5	29.4	25.9	30	30	●	●	●
CHE2-08B		7.5	42.4	37.2	45	40	●	●	●
CHE2-10B		10	55.4	48.5	60	50	●	●	●
CHE2-15B		15	55.4/26.1	48.5/22.6	60/30	50/25	●	●	●
CHE2-05B	36	5	29.4	25.9	30	30	●	●	●
CHE2-08B		7.5	42.4	37.2	45	40	●	●	●
CHE2-10B		10	55.4	48.5	60	50	●	●	●
CHE2-15B		15	55.4/26.1	48.5/22.6	60/30	50/25	●	●	●
CHE2-20B		20	55.4/52.1	48.5/45.2	60/60	60/50	●	●	●

# ComfortStar®

12201 N W 107th Avenue  
Miami, FL 33178  
1.866.524.9898 Toll Free  
305.500.9898 Office  
305.500.9896 Fax  
<http://www.comfortstarusa.com>

---



The AHRI mark indicates Comfortstar participating in the AHRI Certification program. Visit [ahridirectory.org](http://ahridirectory.org) for verification of individual certified products. Comfortstar reserves the right to change design and specs without notice. Comfortstar has a policy of update the data continuously. We are committed to using environmentally conscious print practices.

CWM5-24-15R 20 Nov 2023  
Supersedes CWM5-24-15R (Nov.2023)

© 2023 ComfortStar