



# Submittal

## Split System Cooling

CWM5-36-15

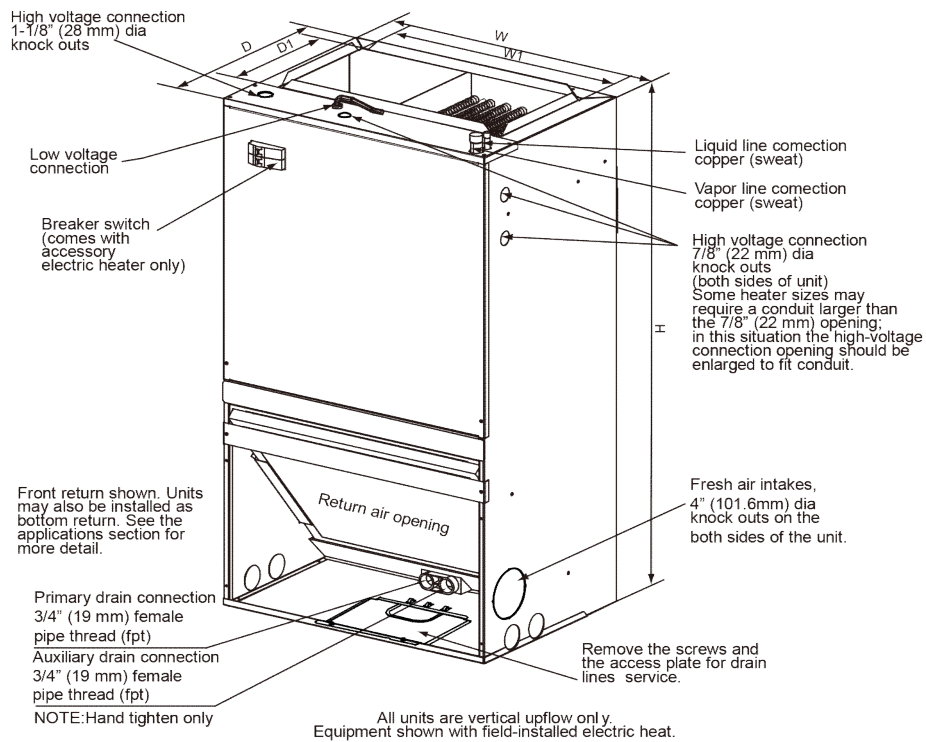
Location: \_\_\_\_\_  
Engineer: \_\_\_\_\_  
Submitted to: \_\_\_\_\_  
Submitted by: \_\_\_\_\_  
Reference: \_\_\_\_\_

Approval: \_\_\_\_\_  
Date: \_\_\_\_\_  
Construction: \_\_\_\_\_  
Unit # : \_\_\_\_\_  
Drawing # : \_\_\_\_\_



Note: " Graphics in this document are for representation only. Actual model may differ in appearance."

## Indoor unit dimension



Model	Dimensions [IN.]					Unit Weight/Shipping Weight Lbs.
	Unit Height "H" IN.	Unit Width "W" IN.	Unit Width "W1" IN.	Unit Depth "D" IN.	Unit Depth "D1" IN.	
18K/24K	36-1/2	20-1/2	17-2/5	15	9-1/2	79/95
30K/36K	39-1/2	22	18-4/5	19	9-1/2	97/119



## Specification

<b>Indoor unit</b>			<b>CWM5-36-15</b>
Power supply	Rated Voltage	V-Ph-Hz	208/230V,1Ph,60Hz
	Min. / Max. Voltage	V	187/253
Cooling	Capacity	Btu/h	36000
Min. Circuit Amps		A	3
Max. over current protection		A	15
Indoor fan motor	Type		ECM
	Horsepower (HP)		1/2
	Full Load Amps (FLA)	A	3
	Rated RPM		1050
Fan Blower	Material		Metal
	Type		Centrifugal
	Diameter	inch	10-3/4
	Height	inch	8
Indoor coil	Type		Tube & Fin
	Tube Material		Aluminum
	Tube Size	inch	9/32
Indoor air flow (Hi/Mi/Lo)		m3/h	1600/1870/1960
Indoor noise level (Hi/Mi/Lo)		dB(A)	54
Indoor unit	Dimension(W*D*H)	inch	22x19x39-1/2
	Packing (W*D*H)	inch	24-3/16x21-1/4x44-7/8
	Net/Gross weight	lbs	97/119
Refrigerant piping	Liquid side	inch	3/8
	Gas side	inch	3/4
Thermostat type			Remote Control
Operation temperature range	cooling	°F	55-115
	heating	°F	/

Outdoor Unit	Indoor Unit	Cooling Capacity	EER2	SEER2	Heating Capacity	HSPF2
MAH5-30-410	CWM5-36-15	28200	11.7	14.3	1005	/
MAH5-36-410	CWM5-36-15	34800	11.7	14.3	1140	/
BAR5-30-15	CWM5-36-15	28800	12	15.2	1005	/
BAR5-36-15	CWM5-36-15	35600	11.7	14.3	1140	/
BAH5-30-15	CWM5-36-15	27200	11.7	14.3	27400	7.5
BAH5-36-15	CWM5-36-15	34200	11.7	14.3	34200	7.5

### Electric Heater Kits

NO.	Kit	Description	Ref. Air Handler Use
1	CHE2-05B	5kW Heat Strip	18/24/30/36
2	CHE2-08B	7.5kW Heat Strip	18/24/30/36
3	CHE2-10B	10kW Heat Strip	18/24/30/36
4	CHE2-15B	15kW Heat Strip, double Breaker panel	18/24/30/36
5	CHE2-20B	20kW Heat Strip, double Breaker panel	18/24/30/36

### Electric Kit Mca/Mop Data

Heater Kit Model Used	Air Handler Model	Electric Heat (kW)	Min. Circuit Ampacity		Max. Fuse or Breaker (HACR) Ampacity		Fan speed (AC/HP)		
			240V	208V	240V	208V	Low	Medium	High
CHE2-05B	18	5	28.1	24.6	30	25	●	●	●
CHE2-08B		7.5	41.1	35.9	45	40	●	●	●
CHE2-10B		10	54.1	47.2	60	50	●	●	●
CHE2-05B	24	5	29	25.5	30	30	●	●	●
CHE2-08B		7.5	42	36.8	45	40	●	●	●
CHE2-10B		10	55	48.1	60	50	●	●	●
CHE2-05B	30	5	29.4	25.9	30	30	●	●	●
CHE2-08B		7.5	42.4	37.2	45	40	●	●	●
CHE2-10B		10	55.4	48.5	60	50	●	●	●
CHE2-15B	36	15	55.4/26.1	48.5/22.6	60/30	50/25	●	●	●
CHE2-05B		5	29.4	25.9	30	30	●	●	●
CHE2-08B		7.5	42.4	37.2	45	40	●	●	●
CHE2-10B		10	55.4	48.5	60	50	●	●	●
CHE2-15B		15	55.4/26.1	48.5/22.6	60/30	50/25	●	●	●
CHE2-20B		20	55.4/52.1	48.5/45.2	60/60	60/50	●	●	●

# ComfortStar®

12201 N W 107th Avenue  
Miami, FL 33178  
1.866.524.9898 Toll Free  
305.500.9898 Office  
305.500.9896 Fax  
<http://www.comfortstarusa.com>

---



The AHRI mark indicates Comfortstar participating in the AHRI Certification program. Visit [ahridirectory.org](http://ahridirectory.org) for verification of individual certified products. Comfortstar reserves the right to change design and specs without notice. Comfortstar has a policy of update the data continuously. We are committed to using environmentally conscious print practices.

CWM5-36-15 21 Nov 2023  
Supersedes CWM5-36-15 (Nov.2023)

© 2023 ComfortStar