



# Submittal

## Split System Cooling

LCM5-24-15

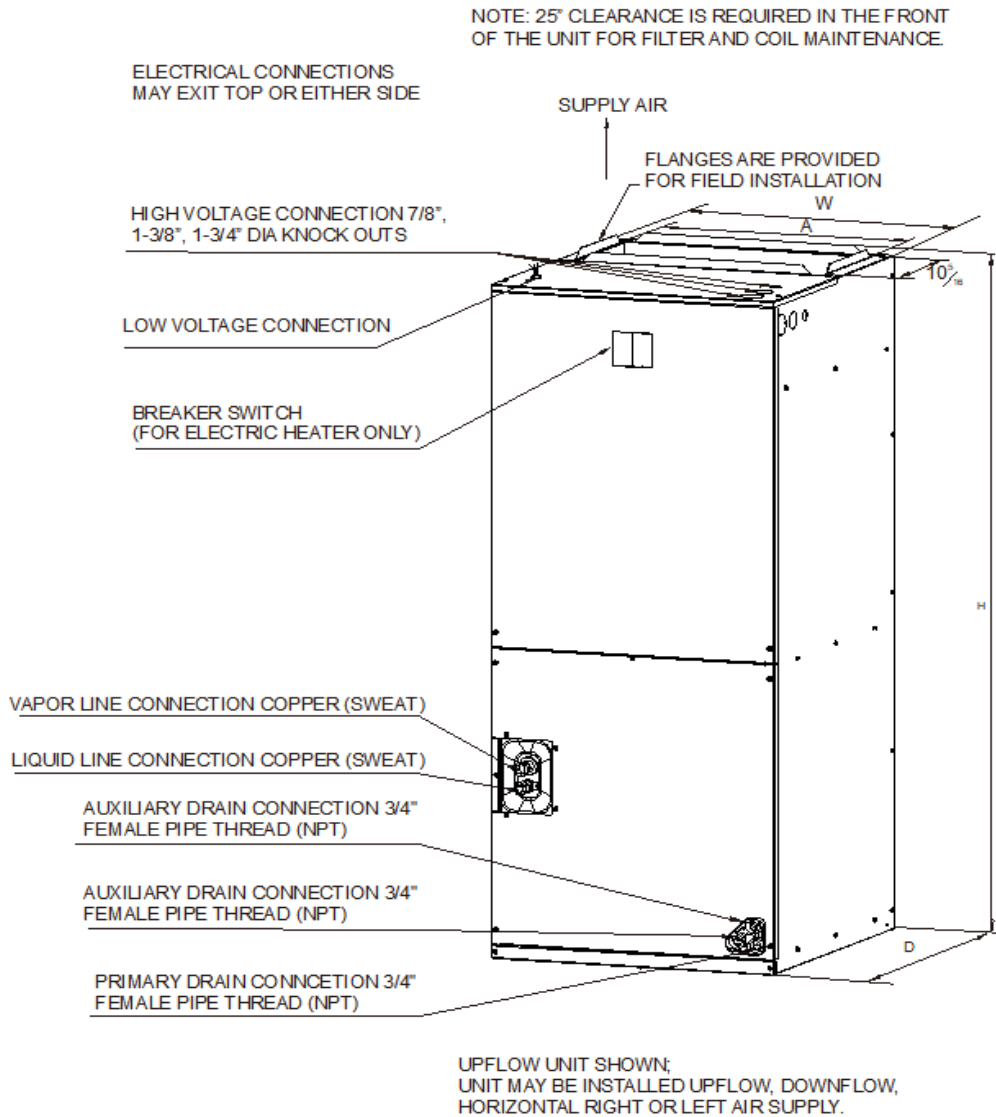
Location: \_\_\_\_\_  
Engineer: \_\_\_\_\_  
Submitted to: \_\_\_\_\_  
Submitted by: \_\_\_\_\_  
Reference: \_\_\_\_\_

Approval: \_\_\_\_\_  
Date: \_\_\_\_\_  
Construction: \_\_\_\_\_  
Unit # : \_\_\_\_\_  
Drawing # : \_\_\_\_\_



Note: " Graphics in this document are for representation only. Actual model may differ in appearance."

## Indoor unit dimension



	LCM5-24-15	LCM5-36-15	LCM5-60-15	LCM5-61-15
<b>UNIT DIMENSION AND WEIGHTS</b>				
Height(in.)	41-3/8	46-1/2	54-1/2	54-1/2
Width(in.)	18-1/8	19-5/8	22	22
Depth(in.)	20-1/2	21-5/8	24	24
Weight(lbs.)	101	125	159	161



## Specification

Indoor unit			LCM5-24-15
Power supply	Rated Voltage	V-Ph-Hz	208/230V,1Ph,60Hz
	Min. / Max. Voltage	V	187/253
Min. Circuit Amps		A	3
Max. over current protection		A	15
Indoor fan motor	Type		ECM
	Horsepower (HP)		1/3
	Full Load Amps (FLA)	A	3
	Rated RPM		1050
Fan Blower	Material		Metal
	Type		Centrifugal
	Diameter	inch	10-5/8
	Height	inch	8-1/8
Indoor coil	Type		Tube & Fin
	Tube Material		Aluminum
	Tube Size	inch	9/32
Indoor air flow (Hi/Mi/Lo)		m3/h	750/940/1320
Indoor noise level (Hi/Mi/Lo)		dB(A)	49
Indoor unit	Dimension(W*D*H)	inch	18-1/8x20-1/2x41-3/8
	Packing (W*D*H)	inch	20-3/4x24-3/16x42
	Net/Gross weight	lbs	101
Refrigerant piping	Liquid side	inch	3/8
	Gas side	inch	3/4
Thermostat type			Remote Control
Operation temperature range	cooling	°F	55-115
	heating	°F	/

Outdoor Unit	Indoor Unit	Cooling Capacity	EER2	SEER2	Heating Capacity	HSPF2
MAH5-18-410	LCM5-24-15	18000	11.7	14.3	/	/
MAH5-24-410	LCM5-24-15	23600	11.7	14.3	/	/
MAH5-30-410	LCM5-24-15	28000	11.2	13.4	/	/
MAH5-36-410	LCM5-24-15	33600	11.2	13.4	/	/
BAR5-18-15	LCM5-24-15+TXV	18000	12	15.2	/	/
BAR5-24-15	LCM5-24-15+TXV	24000	12	15.2	/	/
BAR5-30-15	LCM5-24-15	28000	11.7	14.3	/	/
BAH5-18-15	LCM5-24-15+TXV	18000	12.0	15.2	17200	7.5
BAH5-24-15	LCM5-24-15+TXV	23200	11.7	14.3	22800	7.5
BAH5-30-15	LCM5-24-15+TXV	27400	11.7	14.3	27400	7.5

### Electric Heater Kits

NO.	Kit	Description	Ref. Air Handler Use
1	CHE2-05B	5kW Heat Strip	24/36/48/60/61
2	CHE2-08B	7.5kW Heat Strip	24/36/48/60/61
3	CHE2-10B	10kW Heat Strip	24/36/48/60/61
4	CHE2-15B	15kW Heat Strip, double Breaker panel	36/48/60/61
5	CHE2-20B	20kW Heat Strip, double Breaker panel	36/48/60/61

### Electric Kit Mca/Mop Data

Heater Kit Model Used	Air Handler Model	Electric Heat (kW)	Min. Circuit Ampacity		Max. Fuse or Breaker (HACR) Ampacity		Minimum Heating Blower Speed				
			240V	208V	240V	208V	1	2	3	4	5
CHE2-05B	24	5	29	25.5	30	30	●	●	●	●	●
CHE2-08B		7.5	42	36.8	45	40	X	X	●	●	●
CHE2-10B		10	55	48.1	60	50	X	X	●	●	●
CHE2-05B	36	5	29.4	25.9	30	30	●	●	●	●	●
CHE2-08B		7.5	42.4	37.2	45	40	X	●	●	●	●
CHE2-10B		10	55.4	48.5	60	50	X	X	●	●	●
CHE2-15B	48/60/61	15	55.4/26.1	48.5/22.6	60/30	50/25	X	X	●	●	●
CHE2-20B		20	55.4/52.1	48.5/45.2	60/60	60/50	X	X	X	●	●
CHE2-05B		5	31.8	28.3	35	30	X	X	●	●	●
CHE2-08B	48/60/61	7.5	44.8	39.6	45	40	X	X	●	●	●
CHE2-10B		10	57.8	50.9	60	60	X	X	●	●	●
CHE2-15B		15	57.8/26.1	50.9/22.6	60/30	60/25	X	X	●	●	●
CHE2-20B		20	57.8/52.1	50.9/45.2	60/60	60/50	X	X	X	●	●

# ComfortStar®

12201 N W 107th Avenue  
Miami, FL 33178  
1.866.524.9898 Toll Free  
305.500.9898 Office  
305.500.9896 Fax  
<http://www.comfortstarusa.com>

---



The AHRI mark indicates Comfortstar participating in the AHRI Certification program. Visit [ahridirectory.org](http://ahridirectory.org) for verification of individual certified products. Comfortstar reserves the right to change design and specs without notice. Comfortstar has a policy of update the data continuously. We are committed to using environmentally conscious print practices.

LCM5-24-15 21 Nov 2023  
Supersedes LCM5-24-15 (Nov.2023)

© 2023 ComfortStar