



Submittal

Split System Cooling

LCM5-36-15

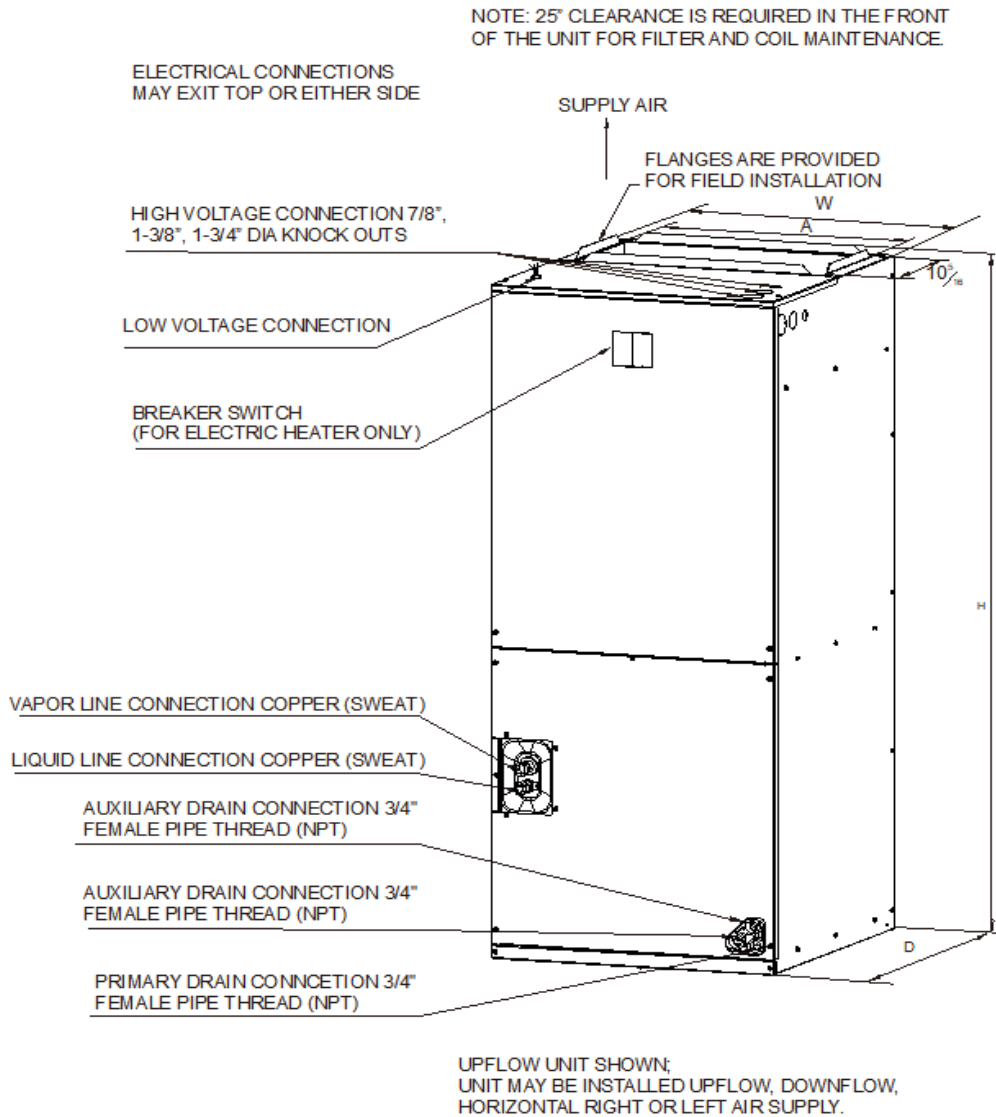
Location: _____
Engineer: _____
Submitted to: _____
Submitted by: _____
Reference: _____

Approval: _____
Date: _____
Construction: _____
Unit # : _____
Drawing # : _____



Note: " Graphics in this document are for representation only. Actual model may differ in appearance."

Indoor unit dimension



	LCM5-24-15	LCM5-36-15	LCM5-60-15	LCM5-61-15
UNIT DIMENSION AND WEIGHTS				
Height(in.)	41-3/8	46-1/2	54-1/2	54-1/2
Width(in.)	18-1/8	19-5/8	22	22
Depth(in.)	20-1/2	21-5/8	24	24
Weight(lbs.)	101	125	159	161

Specification

Indoor unit			LCM5-36-15
Power supply	Rated Voltage	V-Ph-Hz	208/230V,1Ph,60Hz
	Min. / Max. Voltage	V	187/253
Min. Circuit Amps		A	4
Max. over current protection		A	15
Indoor fan motor	Type		ECM
	Horsepower (HP)		1/2
	Full Load Amps (FLA)	A	3
	Rated RPM		1050
Fan Blower	Material		Metal
	Type		Centrifugal
	Diameter	inch	13
	Height	inch	10-5/8
Indoor coil	Type		Tube & Fin
	Tube Material		Aluminum
	Tube Size	inch	9/32
Indoor air flow (Hi/Mi/Lo)		m3/h	1130/1340/1690
Indoor noise level (Hi/Mi/Lo)		dB(A)	51
Indoor unit	Dimension(W*D*H)	inch	19-5/8x21-5/8x46-1/2
	Packing (W*D*H)	inch	20-3/4x25-3/8x47-1/8
	Net/Gross weight	lbs	125
Refrigerant piping	Liquid side	inch	3/8
	Gas side	inch	3/4
Thermostat type			Remote Control
Operation temperature range	cooling	°F	55-115
	heating	°F	/

Outdoor Unit	Indoor Unit	Cooling Capacity	EER2	SEER2	Heating Capacity	HSPF2
MAH5-18-410	LCM5-36-15	18000	11.7	14.3	/	/
MAH5-24-410	LCM5-36-15	23800	11.7	14.3	/	/
MAH5-30-410	LCM5-36-15	28800	11.7	14.3	/	/
MAH5-36-410	LCM5-36-15	34200	11.7	14.3	/	/
MAH5-42-410	LCM5-36-15+TXV	40000	11.2	13.4	/	/
BAR5-18-15	LCM5-36-15	18000	11.7	14.3	/	/
BAR5-24-15	LCM5-36-15	24000	12	15.2	/	/
BAR5-30-15	LCM5-36-15	28800	12	15.2	/	/
BAR5-36-15	LCM5-36-15+TXV	34200	12	15.2	/	/
BAR5-42-15	LCM5-36-15	40000	11.7	14.3	/	/
BAH5-24-15	LCM5-36-15+TXV	23400	12.0	15.2	22800	7.8
BAH5-30-15	LCM5-36-15+TXV	28200	12.0	15.2	27600	7.8
BAH5-36-15	LCM5-36-15+TXV	34200	12.0	15.2	34200	7.8
BAH5-42-15	LCM5-36-15+TXV	40000	11.7	14.3	40000	7.5

Electric Heater Kits

NO.	Kit	Description	Ref. Air Handler Use
1	CHE2-05B	5kW Heat Strip	24/36/48/60/61
2	CHE2-08B	7.5kW Heat Strip	24/36/48/60/61
3	CHE2-10B	10kW Heat Strip	24/36/48/60/61
4	CHE2-15B	15kW Heat Strip, double Breaker panel	36/48/60/61
5	CHE2-20B	20kW Heat Strip, double Breaker panel	36/48/60/61

Electric Kit Mca/Mop Data

Heater Kit Model Used	Air Handler Model	Electric Heat (kW)	Min. Circuit Ampacity		Max. Fuse or Breaker (HACR) Ampacity		Minimum Heating Blower Speed				
			240V	208V	240V	208V	1	2	3	4	5
CHE2-05B	24	5	29	25.5	30	30	●	●	●	●	●
CHE2-08B		7.5	42	36.8	45	40	X	X	●	●	●
CHE2-10B		10	55	48.1	60	50	X	X	●	●	●
CHE2-05B	36	5	29.4	25.9	30	30	●	●	●	●	●
CHE2-08B		7.5	42.4	37.2	45	40	X	●	●	●	●
CHE2-10B		10	55.4	48.5	60	50	X	X	●	●	●
CHE2-15B	48/60/61	15	55.4/26.1	48.5/22.6	60/30	50/25	X	X	●	●	●
CHE2-20B		20	55.4/52.1	48.5/45.2	60/60	60/50	X	X	X	●	●
CHE2-05B		5	31.8	28.3	35	30	X	X	●	●	●
CHE2-08B	48/60/61	7.5	44.8	39.6	45	40	X	X	●	●	●
CHE2-10B		10	57.8	50.9	60	60	X	X	●	●	●
CHE2-15B		15	57.8/26.1	50.9/22.6	60/30	60/25	X	X	●	●	●
CHE2-20B		20	57.8/52.1	50.9/45.2	60/60	60/50	X	X	X	●	●

ComfortStar®

12201 N W 107th Avenue
Miami, FL 33178
1.866.524.9898 Toll Free
305.500.9898 Office
305.500.9896 Fax
<http://www.comfortstarusa.com>



The AHRI mark indicates Comfortstar participating in the AHRI Certification program. Visit ahridirectory.org for verification of individual certified products. Comfortstar reserves the right to change design and specs without notice. Comfortstar has a policy of update the data continuously. We are committed to using environmentally conscious print practices.

LCM5-36-15 21 Nov 2023
Supersedes LCM5-36-15 (Nov.2023)

© 2023 ComfortStar