



# Submittal

## Split System Cooling

LUC5-48-15

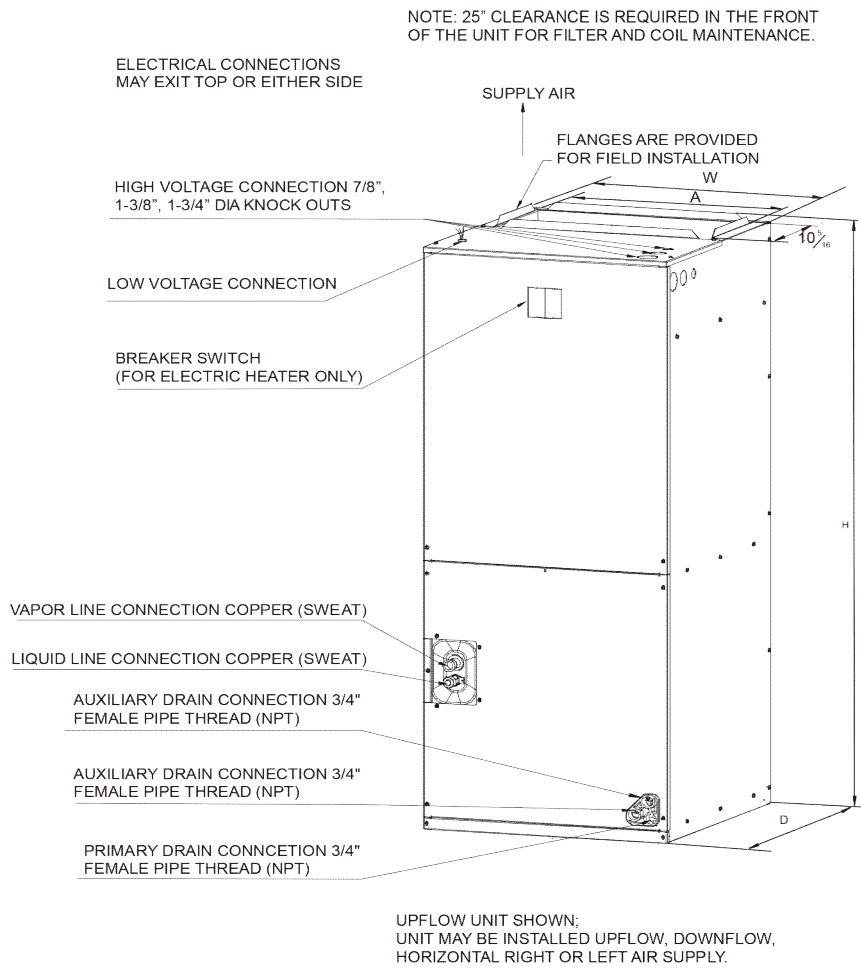
Location: \_\_\_\_\_  
Engineer: \_\_\_\_\_  
Submitted to: \_\_\_\_\_  
Submitted by: \_\_\_\_\_  
Reference: \_\_\_\_\_

Approval: \_\_\_\_\_  
Date: \_\_\_\_\_  
Construction: \_\_\_\_\_  
Unit # : \_\_\_\_\_  
Drawing # : \_\_\_\_\_



Note: " Graphics in this document are for representation only. Actual model may differ in appearance."

## Indoor unit dimension



UNIT DIMENSION AND WEIGHTS	18K	24K	36K	48K	60K
Height(in.)	41-3/8	46-1/2	46-1/2	54-1/2	54-1/2
Width(in.)	18-1/8	19-5/8	19-5/8	22	22
Depth(in.)	20-1/2	21-5/8	21-5/8	24	24
Weight(lbs.)	108	128	128	159	161



## Specification

Indoor unit			<b>LUC5-48-15</b>
Power supply	Rated Voltage	V-Ph-Hz	208/230V,1Ph,60Hz
	Min. / Max. Voltage	V	187/253
Min. Circuit Amps		A	4
Max. over current protection		A	15
Indoor fan motor	Type		PSC
	Horsepower (HP)		1/2
	Full Load Amps (FLA)	A	3
	Rated RPM		925
Fan Blower	Material		Metal
	Type		Centrifugal
	Diameter	inch	13
	Height	inch	10-5/8
Indoor coil	Type		Tube & Fin
	Tube Material		Aluminum
	Tube Size	inch	9/32
Indoor air flow (Hi/Mi/Lo)		m3/h	1780/2300/2690
Indoor noise level (Hi/Mi/Lo)		dB(A)	54/52/49
Indoor unit	Dimension(W*D*H)	inch	22x24x54-1/2
	Packing (W*D*H)	inch	24-11/16x27-11/16x55-3/16
	Net/Gross weight	lbs	159
Refrigerant piping	Liquid side	inch	3/8
	Gas side	inch	7/8
Thermostat type			Remote Control
Operation temperature range	cooling	°F	55-115
	heating	°F	/

Outdoor Unit	Indoor Unit	Cooling Capacity	EER2	SEER2	Heating Capacity	HSPF2
BAH5-36-15	LUC5-48-15+TXV	34600	11.7	14.3	34600	7.5
BAH5-42-15	LUC5-48-15+TXV	42000	11.7	14.3	41000	7.5
BAH5-48-15	LUC5-48-15+TXV	45000	11.7	14.3	45000	7.5
BAR5-30-15	LUC5-48-15	28800	11.7	14.3	/	/
BAR5-36-15	LUC5-48-15	34800	11.7	14.3	/	/
BAR5-42-15	LUC5-48-15+TXV	41500	11.7	14.3	/	/
BAR5-48-15	LUC5-48-15+TXV	44500	11.7	14.3	/	/
MAH5-30-410	LUC5-48-15	28600	11.2	13.4	/	/
MAH5-36-410	LUC5-48-15	35200	11.2	13.4	/	/
MAH5-42-410	LUC5-48-15	41500	11.2	13.4	/	/
MAH5-48-410	LUC5-48-15	46000	11.2	13.4	/	/
MAH5-60-410	LUC5-48-15+TXV	53500	11.2	13.4	/	/

Electric Heater Kits

NO.	Kit	Description	Ref. Air Handler Use
1	CHE2-05B	5kW Heat Strip	18/24//30/36/42/48/60
2	CHE2-08B	7.5kW Heat Strip	18/24//30/36/42/48/60
3	CHE2-10B	10kW Heat Strip	18/24//30/36/42/48/60
4	CHE2-15B	15kW Heat Strip, double Breaker panel	30/36/42/48/60
5	CHE2-20B	20kW Heat Strip, double Breaker panel	36/42/48/60

Electric Kit Mca/Mop Data

Heater Kit Model Used	Air Handler Model	Electric Heat (kW)	Min. Circuit Ampacity		Max. Fuse or Breaker (HACR) Ampacity		Fan speed (AC/HP)		
			240V	208V	240V	208V	Low	Medium	High
CHE2-05B	18	5	28.1	24.6	30	25	●	●	●
CHE2-08B		7.5	41.1	35.9	45	40	●	●	●
CHE2-10B		10	54.1	47.2	60	50	●	●	●
CHE2-05B	24	5	29	25.5	30	30	●	●	●
CHE2-08B		7.5	42	36.8	45	40	●	●	●
CHE2-10B		10	55	48.1	60	50	●	●	●
CHE2-05B	30	5	29.4	25.9	30	30	●	●	●
CHE2-08B		7.5	42.4	37.2	45	40	●	●	●
CHE2-10B		10	55.4	48.5	60	50	●	●	●
CHE2-15B	36	15	55.4/26.1	48.5/22.6	60/30	50/25	●	●	●
CHE2-05B		5	29.4	25.9	30	30	●	●	●
CHE2-08B		7.5	42.4	37.2	45	40	●	●	●
CHE2-10B		10	55.4	48.5	60	50	●	●	●
CHE2-15B		15	55.4/26.1	48.5/22.6	60/30	50/25	●	●	●
CHE2-20B		20	55.4/52.1	48.5/45.2	60/60	60/50	●	●	●
CHE2-05B	42	5	30.3	26.8	35	30	--	●	●
CHE2-08B		7.5	43.3	38.1	45	40	--	●	●
CHE2-10B		10	56.3	49.4	60	50	--	●	●
CHE2-15B		15	56.3/26.1	49.4/22.6	60/30	50/25	--	●	●
CHE2-20B		20	56.3/52.1	49.4/45.2	60/60	50/50	--	●	●
CHE2-05B	48	5	30.3	26.8	35	30	--	--	●
CHE2-08B		7.5	43.3	38.1	45	40	--	--	●
CHE2-10B		10	56.3	49.4	60	50	--	--	●
CHE2-15B		15	56.3/26.1	49.4/22.6	60/30	50/25	--	--	●
CHE2-20B		20	56.3/52.1	49.4/45.2	60/60	50/50	--	--	●
CHE2-05B	60	5	31.8	28.3	35	30	●	●	●
CHE2-08B		7.5	44.8	39.6	45	40	●	●	●
CHE2-10B		10	57.8	50.9	60	60	●	●	●
CHE2-15B		15	57.8/26.1	50.9/22.6	60/30	60/25	●	●	●
CHE2-20B		20	57.8/52.1	50.9/45.2	60/60	60/50	●	●	●

# ComfortStar®

12201 N W 107th Avenue  
Miami, FL 33178  
1.866.524.9898 Toll Free  
305.500.9898 Office  
305.500.9896 Fax  
<http://www.comfortstarusa.com>

---



The AHRI mark indicates Comfortstar participating in the AHRI Certification program. Visit [ahridirectory.org](http://ahridirectory.org) for verification of individual certified products. Comfortstar reserves the right to change design and specs without notice. Comfortstar has a policy of update the data continuously. We are committed to using environmentally conscious print practices.

LUC5-48-15 21 Nov 2023  
Supersedes LUC5-48-15 (Nov.2023)

© 2023 ComfortStar