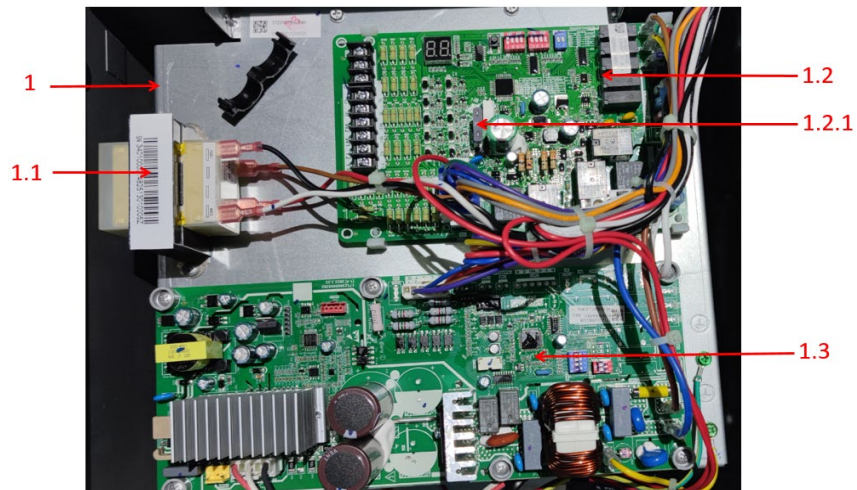
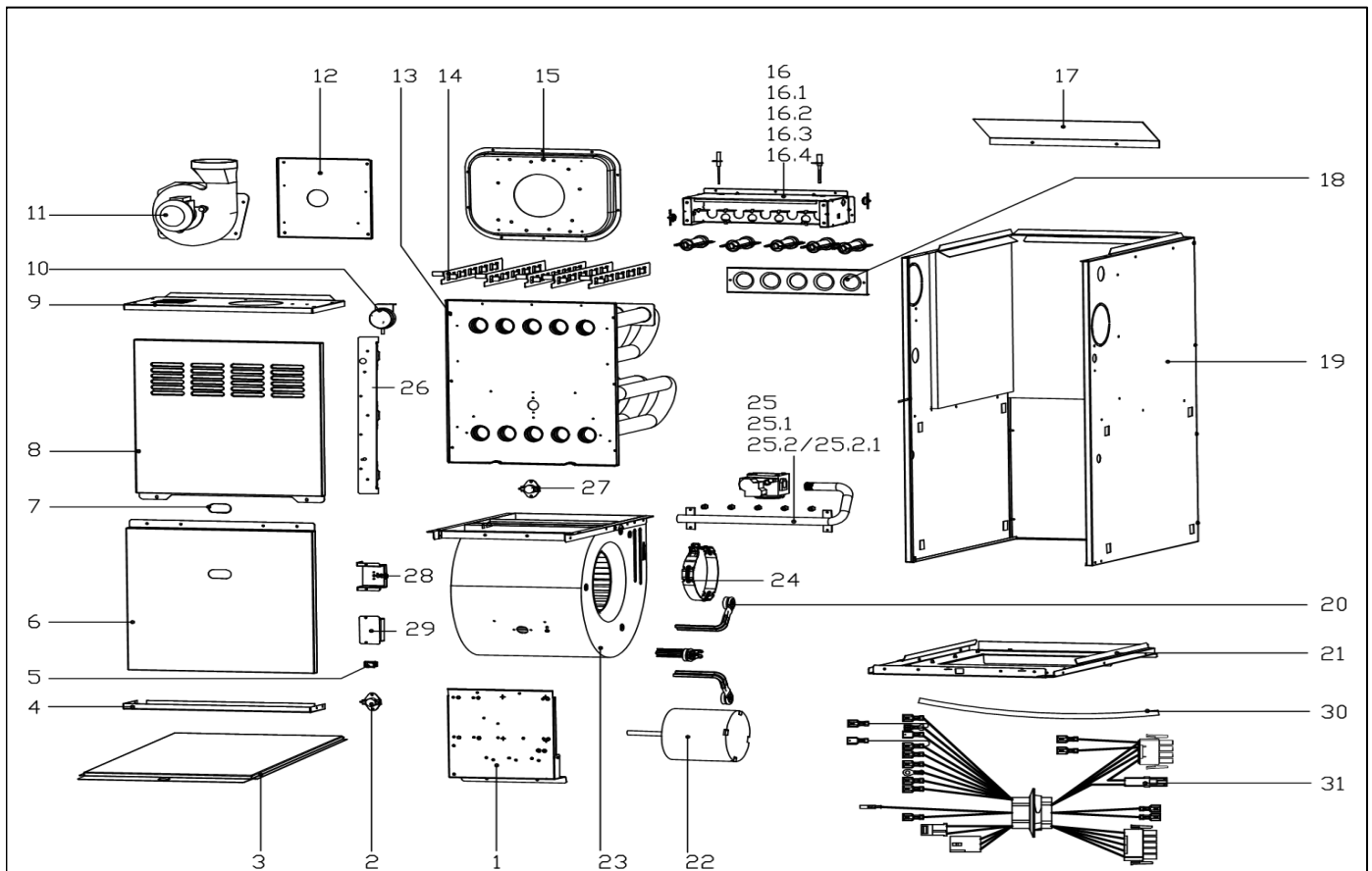


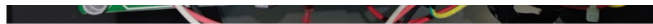
# Exploded View

Model

CG80-080B

ComfortStar®





| EX_ID | Spare Parts Code | Part Name(EN)                            | Qty. | Price | Remarks |
|-------|------------------|------------------------------------------|------|-------|---------|
| 1     | 17227600001583   | E-part box assembly                      | 1.0  |       |         |
| 1.1   | 11203103000197   | Linear Transformer                       | 1.0  |       |         |
| 1.2   | 17127600000708   | Tie-in assembly of main control board    | 1.0  |       |         |
| 1.2.1 | 11203001001353   | Fuse                                     | 1.0  |       |         |
| 1.3   | 17127600001328   | Gas furnace, Main control board assembly | 1.0  |       |         |
| 2     | 17400513002815   | Temperature switch                       | 1.0  |       |         |
| 3     | 12227600000102   | Sealing plate                            | 1.0  |       |         |
| 4     | 12227600002721   | Support Plate assembly                   | 1.0  |       |         |
| 5     | 17427600001148   | Door switch                              | 1.0  |       |         |
| 6     | 12227600002088   | Cover                                    | 1.0  |       |         |
| 7     | 12127600000009   | Plastic cover                            | 1.0  |       |         |
| 8     | 12227600002073   | Cover                                    | 1.0  |       |         |
| 9     | 12227600002163   | Cover assembly                           | 1.0  |       |         |
| 10    | 17400515000421   | Pressure sensor                          | 1.0  |       |         |
| 11    | 17400801000223   | Exhaust fan ass'y                        | 1.0  |       |         |
| 12    | 12227600000243   | Exhaust baffles                          | 1.0  |       |         |
| 13    | 15727600000006   | Heat exchanger ass'y                     | 1.0  |       |         |
| 14    | 12227600000058   | Spoiler                                  | 5.0  |       |         |
| 15    | 12227600000239   | Gas-collecting hood                      | 1.0  |       |         |
| 16    | 12227600002761   | Burner ass'y                             | 1.0  |       |         |
| 16.1  | 11201006000010   | Special sensor                           | 1.0  |       |         |
| 16.2  | 17427600000007   | Ignition needle                          | 1.0  |       |         |
| 16.3  | 17400513000045   | Ignition needle                          | 2.0  |       |         |
| 16.4  | 17427600000005   | Burner                                   | 5.0  |       |         |
| 17    | 12227600000022   | Air channel damper                       | 1.0  |       |         |
| 18    | 12227600000224   | Deflector                                | 1.0  |       |         |
| 19    | 12227600002094   | Cabinet Components                       | 1.0  |       |         |
| 20    | 12223000001934   | Motor bracket ass'y I                    | 3.0  |       |         |
| 21    | 12227600000221   | Partition board ass'y                    | 1.0  |       |         |

|        |                |                             |     |  |  |
|--------|----------------|-----------------------------|-----|--|--|
| 22     | 11002015016399 | Partition board ass'y       | 1.0 |  |  |
| 23     | 12200102000009 | Centrifugal fan             | 1.0 |  |  |
| 24     | 12223000001992 | Supporter of fan motor      | 1.0 |  |  |
| 25     | 15427600000101 | Gas pipe ass'y              | 1.0 |  |  |
| 25.1   | 17427600001389 | gas valve                   | 1.0 |  |  |
| 25.2   | 15427600000107 | Gas Components              | 1.0 |  |  |
| 25.2.1 | 15527600000003 | Copper nozzle               | 5.0 |  |  |
| 26     | 12227600002720 | Support Plate assembly      | 2.0 |  |  |
| 27     | 17400513003815 | Temperature switch          | 1.0 |  |  |
| 28     | 12227600000818 | Junction box                | 1.0 |  |  |
| 29     | 12227600000817 | Junction box cover          | 1.0 |  |  |
| 30     | 12627600000010 | Silicone tube               | 1.0 |  |  |
| 31     | 17401203023509 | Strong electric cable group | 1.0 |  |  |