



# Submittal

## Split System Cooling

AHU48-SG2

Location: \_\_\_\_\_  
Engineer: \_\_\_\_\_  
Submitted to: \_\_\_\_\_  
Submitted by: \_\_\_\_\_  
Reference: \_\_\_\_\_

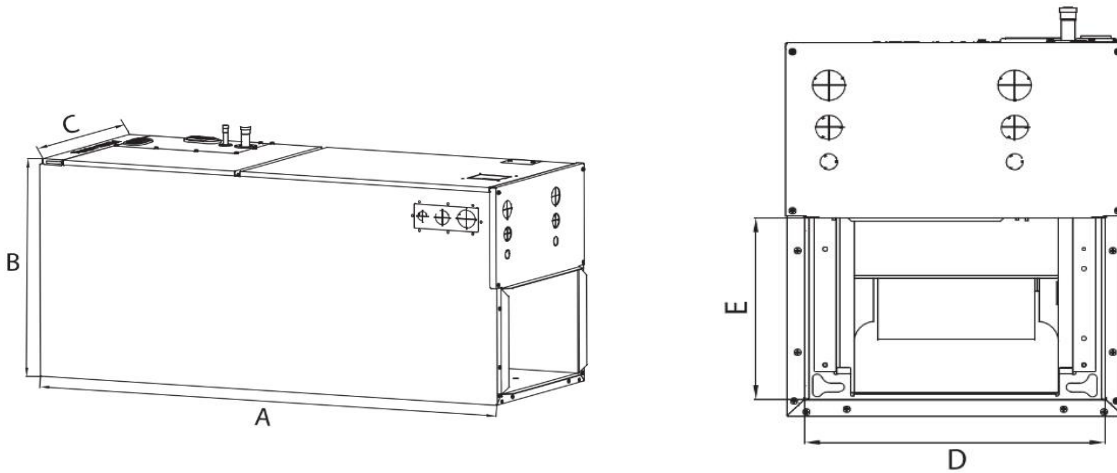
Approval: \_\_\_\_\_  
Date: \_\_\_\_\_  
Construction: \_\_\_\_\_  
Unit # : \_\_\_\_\_  
Drawing # : \_\_\_\_\_



Note:" Graphics in this document are for representation only. Actual model may differ in appearance."

# ComfortStar®

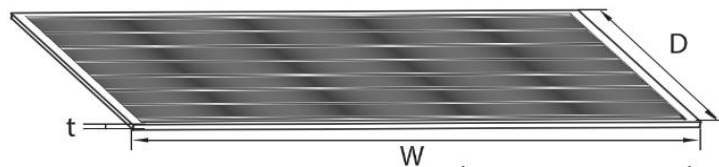
## Indoor unit installation size



(unit:mm/inch)

Dimensions		Model	12K ~ 24K	30K ~ 48K	60K
Length of A	mm		1143	1245	1346
	inch		45	49	53
Length of B	mm		533	533	533
	inch		21	21	21
Length of C	mm		445	533	622
	inch		17-1/2	21	24-1/2
Length of D	mm		400	490	580
	inch		15-3/4	19-5/16	22-27/32
Length of E	mm		260	260	260
	inch		10-1/4	10-1/4	10-1/4

## Recommended size of filter



(unit:mm/inch)

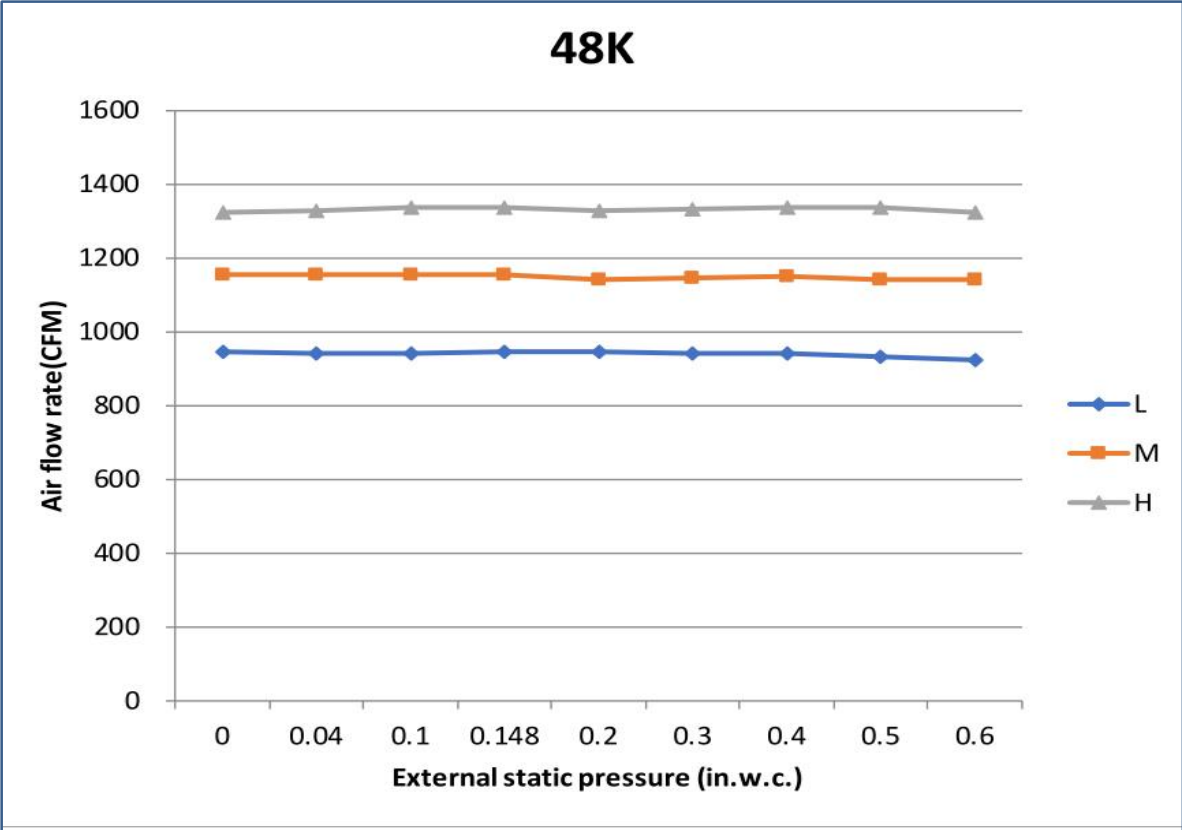
Recommended size of filter		Model (Btu/h)	12K ~24K	30K~36K	48K ~60K
Recommended size of filter	W	mm	406.4	495.3	584.2
		inch	16	19-1/2	23
	D	mm	508	508	508
		inch	20	20	20
	t	mm	25.4	25.4	25.4
		inch	1	1	1

# Specification

AHU Model			AHU48-SG2
Power supply		V- Ph-Hz	208/230V,1Ph, 60Hz
MINIMUM CIRCUIT AMPACITY(Indoor)		A	4.5
MAX.FUSE(Indoor)		A	15
Indoor fan motor	Model		ZKFD-560-8-1
	RLA	A	3.5
Indoor air flow (Hi/Mi/Lo)		m3/h	2180/1860/1540
Indoor air flow (Hi/Mi/Lo)		CFM	1282.35/1094.12/905.88
ESP	Range	Pa	0-200
	Range	In. wg.	0-0.8
Indoor noise level (Hi/Mi/Lo)		dB(A)	53/50/46
Throttle type		/	EXV
Indoor unit	Dimension(W*D*H)	mm	534*534*1245
	Dimension(W*D*H)	inch	21.*21*49
	Packing	mm	640x620x1380
	Packing (W*D*H)	inch	25.20x24.41x54.33
	Net/Gross weight	Kg	58.6/70.6
	Net/Gross weight	lbs.	129.2/155.6

Outdoor Unit	Indoor Unit	Cooling Capacity	EER2	SEER2	HSPF	HSPF2
CPH48CD(O)	AHU48-SG2	47000(18000~48000)	8.2	15.6	10	9.4
CPR48CD(O)	AHU48-SG2	47000(10500~48000)	8.8	15.8	9.4	7.5

## Fan performance



# ComfortStar®

12201 N W 107th Avenue  
Miami, FL 33178  
1.866.524.9898 Toll Free  
305.500.9898 Office  
305.500.9896 Fax  
<http://www.comfortstarusa.com>

---



The AHRI mark indicates Comfortstar participating in the AHRI Certification program. Visit [ahridirectory.org](http://ahridirectory.org) for verification of individual certified products. Comfortstar reserves the right to change design and specs without notice. Comfortstar has a policy of update the data continuously. We are committed to using environmentally conscious print practices.

AHU48-SG2 8th DEC. 2023  
Supersedes AHU48-SG2 (DEC.2023)

© 2023 ComfortStar