



Submittal

Split System Cooling

AHU60-SG2

Location: _____
Engineer: _____
Submitted to: _____
Submitted by: _____
Reference: _____

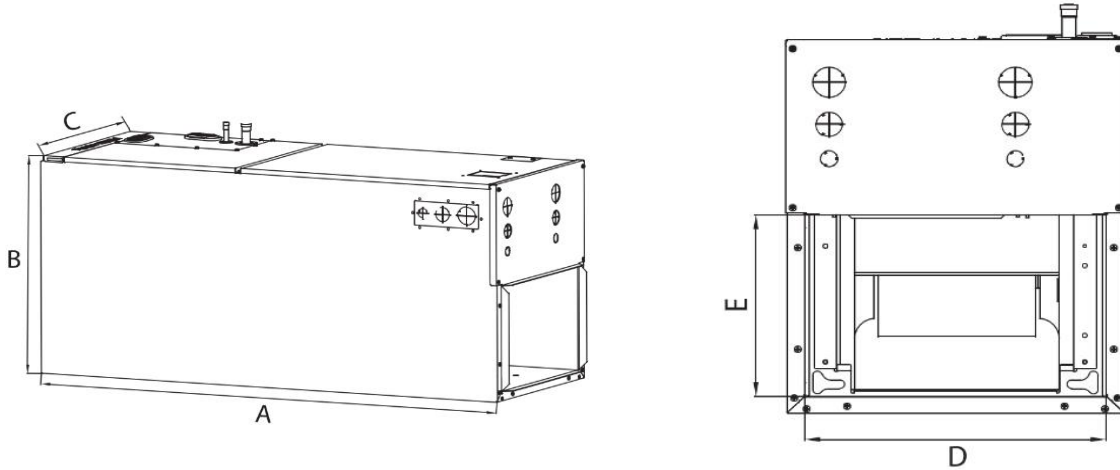
Approval: _____
Date: _____
Construction: _____
Unit # : _____
Drawing # : _____



Note: " Graphics in this document are for representation only. Actual model may differ in appearance."

ComfortStar®

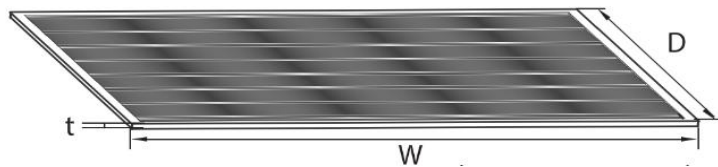
Indoor unit installation size



(unit:mm/inch)

Dimensions		Model	12K ~ 24K	30K ~ 48K	60K
Length of A	mm		1143	1245	1346
	inch		45	49	53
Length of B	mm		533	533	533
	inch		21	21	21
Length of C	mm		445	533	622
	inch		17-1/2	21	24-1/2
Length of D	mm		400	490	580
	inch		15-3/4	19-5/16	22-27/32
Length of E	mm		260	260	260
	inch		10-1/4	10-1/4	10-1/4

Recommended size of filter



(unit:mm/inch)

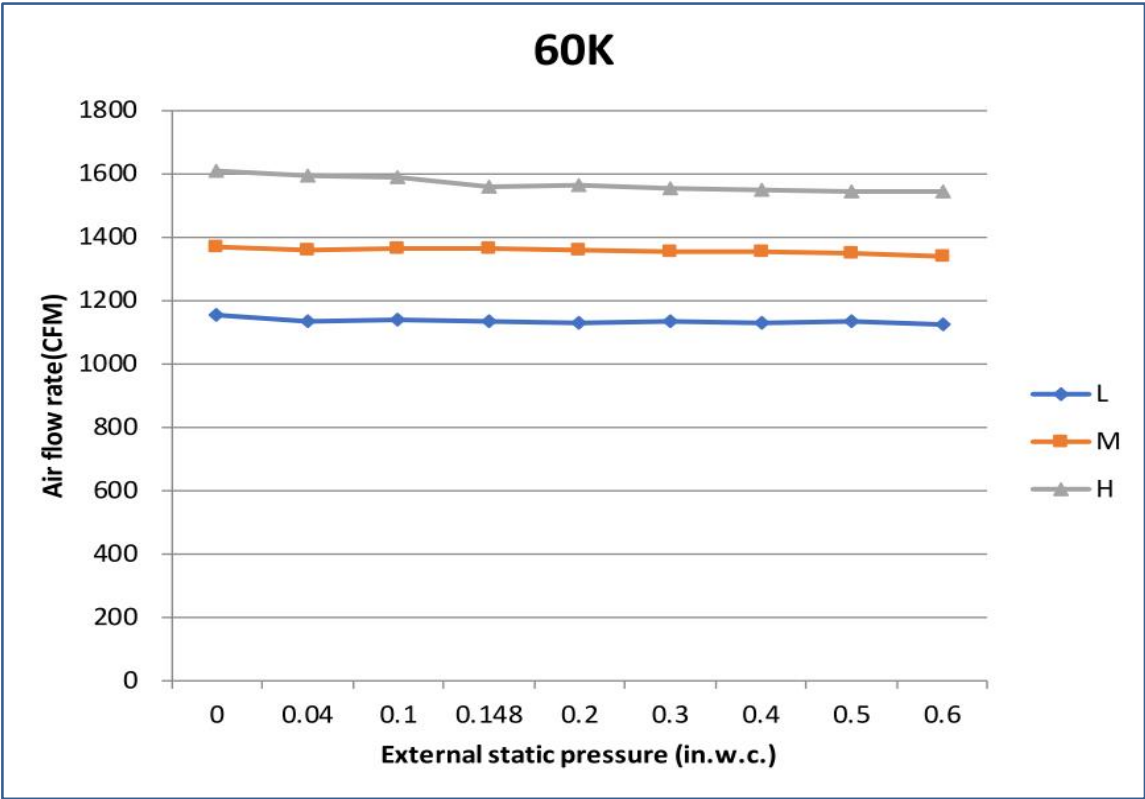
Model (Btu/h)			12K ~24K	30K~36K	48K ~60K
Recommended size of filter	W	mm	406.4	495.3	584.2
		inch	16	19-1/2	23
	D	mm	508	508	508
		inch	20	20	20
	t	mm	25.4	25.4	25.4
		inch	1	1	1

Specification

AHU Model			AHU60-SG2
Power supply		V- Ph-Hz	208/230V,1Ph, 60Hz
MINIMUM CIRCUIT AMPACITY(Indoor)		A	7
MAX.FUSE(Indoor)		A	15
Indoor fan motor	Model		ZKFD-750-8-1
	RLA	A	5
Indoor air flow (Hi/Mi/Lo)		m3/h	2690/2310/1930
Indoor air flow (Hi/Mi/Lo)		CFM	1582.35/1358.82/1135.29
ESP	Range	Pa	0-200
	Range	ln. wg.	0-0.8
Indoor noise level (Hi/Mi/Lo)		dB(A)	52.5/49/44
Throttle type		/	EXV
Indoor unit	Dimension(W*D*)	mm	622*534*1346
	Dimension(W*D*)	inch	24-1/2*x21*53
	Packing	mm	640x705x1480
	Packing (W*D*H)	inch	25.20x27.76x58.27
	Net/Gross weight	Kg	73.8/86.5
	Net/Gross weight	lbs.	162.7/190.7

Outdoor Unit	Indoor Unit	Cooling Capacity	EER2	SEER2	HSPF	HSPF2
CPH60CD(O)	AHU60-SG2	55000(14000~56000)	8.8	15.3	10.5	9.4
CPR60CD(O)	AHU60-SG2	57000(4500~60000)	8.8	14.7	8.5	6.7

Fan performance



ComfortStar®

12201 N W 107th Avenue
Miami, FL 33178
1.866.524.9898 Toll Free
305.500.9898 Office
305.500.9896 Fax
<http://www.comfortstarusa.com>



The AHRI mark indicates Comfortstar participating in the AHRI Certification program. Visit ahridirectory.org for verification of individual certified products. Comfortstar reserves the right to change design and specs without notice. Comfortstar has a policy of update the data continuously. We are committed to using environmentally conscious print practices.

AHU60-SG2 8th DEC. 2023
Supersedes AHU60-SG2 (DEC.2023)

© 2023 ComfortStar