



Submittal

Split System Cooling

CPH18CD(O)

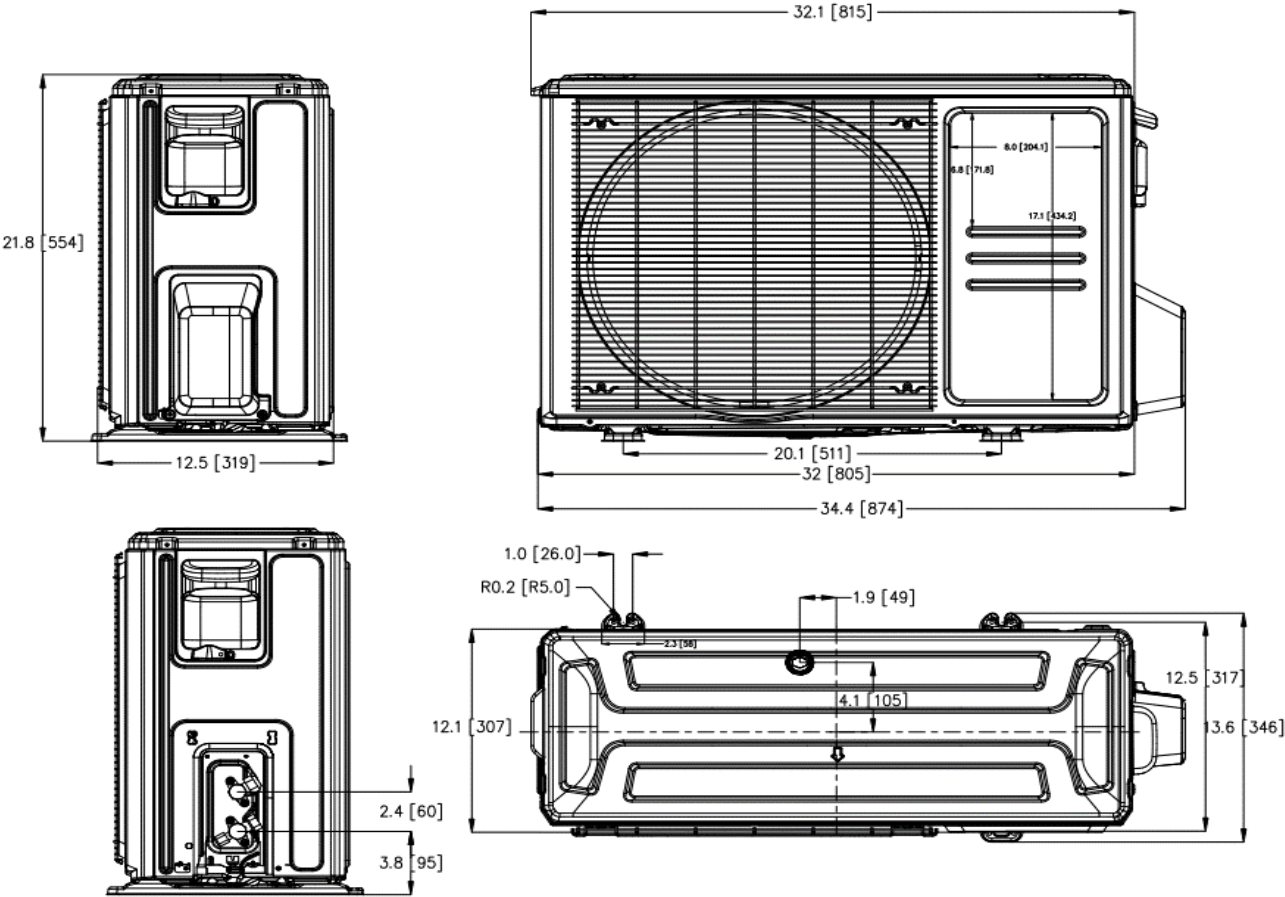
Location: _____
Engineer: _____
Submitted to: _____
Submitted by: _____
Reference: _____

Approval: _____
Date: _____
Construction: _____
Unit # : _____
Drawing # : _____



Note: "Graphics in this document are for representation only. Actual model may differ in appearance."

Unit dimension



Specification

Outdoor unit model			CPH18CD(O)
Power supply	Rated	V, Ph, Hz	208/230, 1, 60
	Voltage range	V	187-253
MINIMUM CIRCUIT AMPACITY		A	16
MAX.FUSE		A	20
Compressor	Model		KTM240D57UMT
	Type		Twin-ROTARY
	Brand		GMCC
	Capacity	Btu/h	24686
	Input power	W	1945
	Refrigerant oil	ml	VG74/440
Outdoor fan motor	Model		ZKFN-80-8-3
	Qty.		1
	Input power	W	88
	Output power	W	80
	Speed	r/min	800/700/580
Outdoor air flow (Max.)		m3/h	2175
Outdoor air flow (Max.)		CFM	1279.41
Outdoor noise level (Sound pressure)		dB(A)	58
Throttle type			EEV for Heating
Outdoor unit	Dimension(W×D×H)	mm	890x342x673
		inch	35.04x13.46x26.50
	Packing (W×D×H)	mm	995x398x740
		inch	39.17x15.67x29.13
	Net/Gross weight	kg	46.7/49.8
		lbs.	102.95/109.79
Refrigerant	Type/Charged	g	R410A/2300
		oz	R410A/81.1
Additional charge		g/m	65
		oz/ft	0.69
Design pressure		PSIG	550/340
Refrigerant piping	Liquid side/Gas side	mm	9.52/19
		inch	3/8" / 3/4"
	Max. pipe length	m	30
		ft	98
	Max. difference in level	m	20
		ft	66
Ambient temperature	Cooling	°C	-30~50
		°F	-22~122
	Heating	°C	-30~24
		°F	-22~75

Outdoor Unit	Indoor Unit	Cooling Capacity	EER2	SEER2	HSPF	HSPF2
CPH18CD(O)	AHU18-SG2	18000(6880~21000)	12.4	18	11	9.3
CPH18CD(O)	ACP-24B	18000(9600~22000)	11.7	16.5	9.5	7.8

ComfortStar®

12201 N W 107th Avenue
Miami, FL 33178
1.866.524.9898 Toll Free
305.500.9898 Office
305.500.9896 Fax
<http://www.comfortstarusa.com>



The AHRI mark indicates Comfortstar participating in the AHRI Certification program. Visit ahridirectory.org for verification of individual certified products. Comfortstar reserves the right to change design and specs without notice. Comfortstar has a policy of update the data continuously. We are committed to using environmentally conscious print practices.

CPH18CD(O) 8th DEC. 2023
Supersedes CPH18CD(O) (DEC.2023)

© 2023 ComfortStar