



Submittal

Split System Cooling

CPH36CD(O)

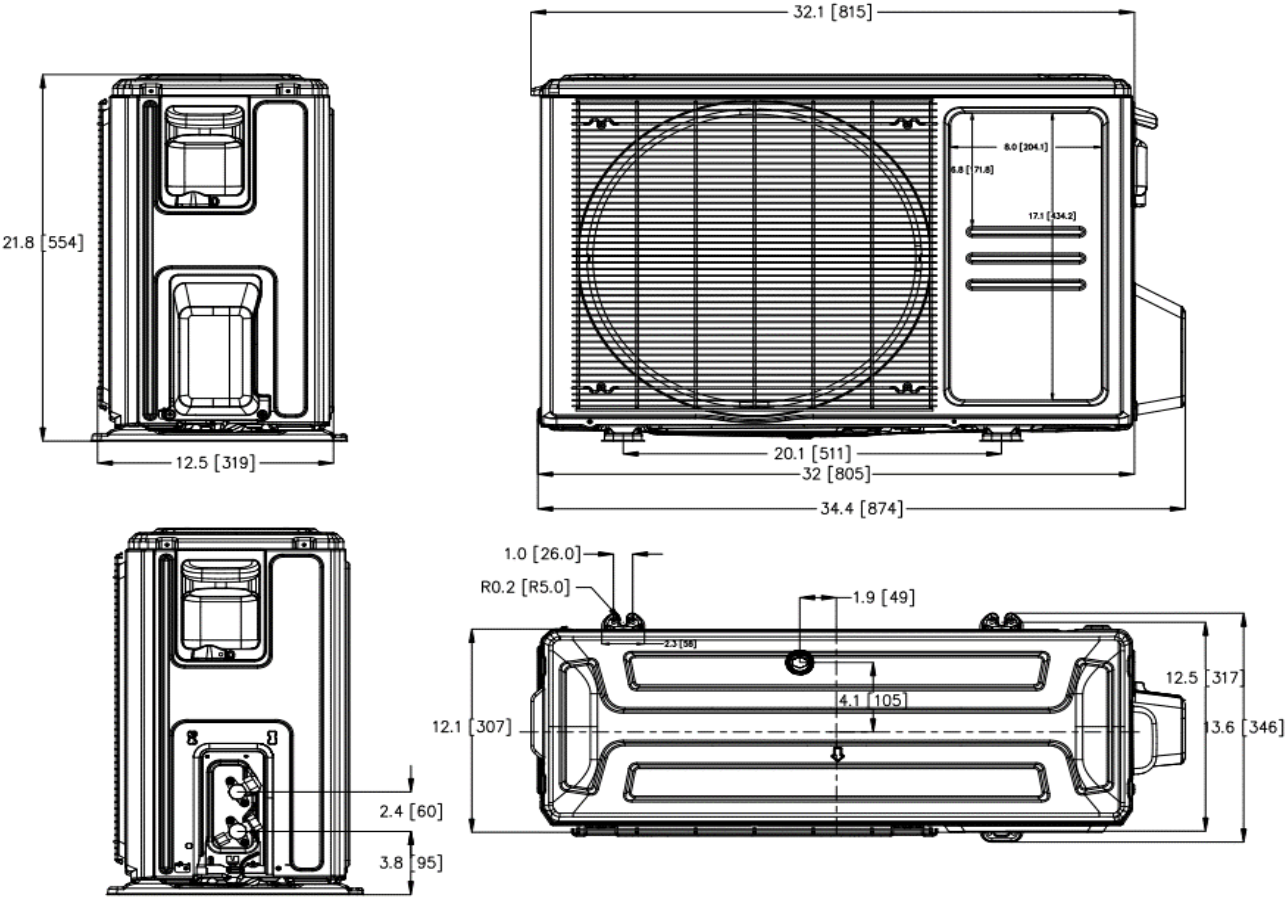
Location: _____
Engineer: _____
Submitted to: _____
Submitted by: _____
Reference: _____

Approval: _____
Date: _____
Construction: _____
Unit # : _____
Drawing # : _____



Note: "Graphics in this document are for representation only. Actual model may differ in appearance."

Unit dimension



Specification

Outdoor unit model			CPH36CD(O)
Power supply	Rated	V, Ph, Hz	208/230, 1, 60
	Voltage range	V	187-253
MINIMUM CIRCUIT AMPACITY		A	41
MAX.FUSE		A	50
Compressor	Model		EAPQ420D1UMUA
	Type		ROTARY
	Brand		GMCC
	Capacity	Btu/h	44015
	Input power	W	3565
	Refrigerant oil	ml	1460±15ml ESTER OIL VG74
Outdoor fan motor	Model		ZKFN-85-8-22-5
	Qty.		2
	Input power	W	126.0
	Output power	W	85
	Speed	r/min	850/750/650
Outdoor air flow (Max.)		m3/h	7650
Outdoor air flow (Max.)		CFM	4500.00
Outdoor noise level (Sound pressure)		dB(A)	64
Throttle type			EEV for Heating
Outdoor unit	Dimension(W×D×H)	mm	952x415x1333
		inch	37.48x16.34x52.48
	Packing (W×D×H)	mm	1095x495x1480
		inch	43.11x19.49x58.27
	Net/Gross weight	kg	103/116
		lbs.	227.07/255.73
Refrigerant	Type/Charged	g	R410A/4700
		oz	R410A/165.79
Additional charge		g/m	65
		oz/ft	0.69
Design pressure		PSIG	550/340
Refrigerant piping	Liquid side/Gas side	mm	9.52/19
		inch	3/8" / 3/4"
	Max. pipe length	m	65
		ft	213
	Max. difference in level	m	30
		ft	98
Ambient temperature	Cooling	°C	-30~50
		°F	-22~122
	Heating	°C	-30~24
		°F	-22~75

Outdoor Unit	Indoor Unit	Cooling Capacity	EER2	SEER2	HSPF	HSPF2
CPH36CD(O)	AHU36-SG2	36000(12000~47400)	10	16	10.5	9.5
CPH36CD(O)	ACP-36C	35000(11700~40000)	10.0	15.2	10	8

ComfortStar®

12201 N W 107th Avenue
Miami, FL 33178
1.866.524.9898 Toll Free
305.500.9898 Office
305.500.9896 Fax
<http://www.comfortstarusa.com>



The AHRI mark indicates Comfortstar participating in the AHRI Certification program. Visit ahridirectory.org for verification of individual certified products. Comfortstar reserves the right to change design and specs without notice. Comfortstar has a policy of update the data continuously. We are committed to using environmentally conscious print practices.

CPH36CD(O) 8th DEC. 2023
Supersedes CPH36CD(O) (DEC.2023)

© 2023 ComfortStar