



# Submittal

## Split System Cooling

CPR18CD(O)

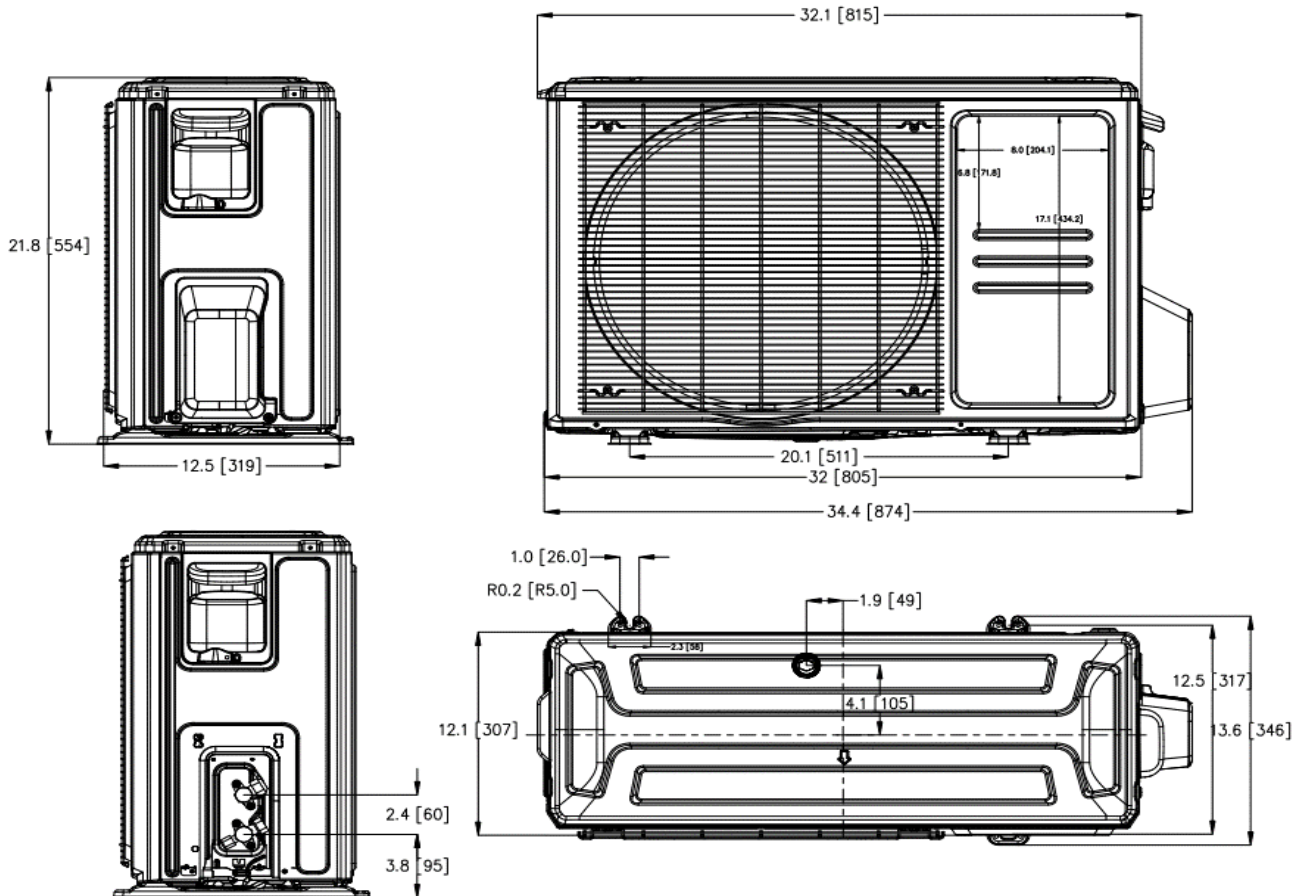
Location: \_\_\_\_\_  
Engineer: \_\_\_\_\_  
Submitted to: \_\_\_\_\_  
Submitted by: \_\_\_\_\_  
Reference: \_\_\_\_\_

Approval: \_\_\_\_\_  
Date: \_\_\_\_\_  
Construction: \_\_\_\_\_  
Unit # : \_\_\_\_\_  
Drawing # : \_\_\_\_\_



Note: " Graphics in this document are for representation only. Actual model may differ in appearance."

## Outdoor unit dimension



## Specification

<b>Outdoor Model</b>			<b>CPR18CD(O)</b>
Power supply (Outdoor)		V- Ph-Hz	208/230V,1Ph, 60Hz
MINIMUM CIRCUIT AMPACITY(Outdoor)		A	16
MAX.FUSE(Outdoor)		A	20
Compressor	Model		KSN140D21UFZ
	Type		ROTARY
	Brand		GMCC
	Capacity	W	4385
	Input	W	1140
	Rated current(RLA)	A	9
	Thermal protector		/
	Thermal protector		/
	Refrigerant oil/oil	ml	VG74/440
Outdoor fan motor	Model		ZKFN-34-10-1-3
	Input	W	/
	RLA	A	1
	Speed	r/min	840/700/650
Outdoor air flow		m3/h	2465
Outdoor air flow		CFM	1450.00
Outdoor noise level		dB(A)	54
Throttle type		/	EXV
Outdoor unit	Dimension(W*D*H)	mm	805x330x554
	Dimension(W*D*H)	inch	31.69x12.99x21.81
	Packing (W*D*H)	mm	915x370x615
	Packing (W*D*H)	inch	36.02x14.57x24.21
	Net/Gross weight	Kg	34.4/36.9
	Net/Gross weight	lbs.	75.84/81.35
Refrigerant type		oz	R410A/56.44
Refrigerant precharge		ft	25
Additional charge for each ft		oz	0.69
Design pressure		PSIG	550/340
Refrigerant piping	Liquid side/ Gas side	mm(inch)	9.52mm(3/8in)/19mm(3/4in)
	Max. refrigerant pipe	m	30
	Liquid side/ Gas side	mm(inch)	9.52mm(3/8in)/19mm(3/4in)
	Max. refrigerant pipe	m	30
	Max. refrigerant pipe	ft	98.42
	Max. difference in	m	20
	Max. difference in	ft	65.62

Outdoor Unit	Indoor Unit	Cooling Capacity	EER2	SEER2	HSPF	HSPF2
CPR18CD(O)	AHU18-SG2	18000(5300~18700)	10.9	17.0	8.8	6.9
CPR18CD(O)	ACP-24B	18000(5800~18600)	10.2	15.6	8.6	6.9

# ComfortStar®

12201 N W 107th Avenue  
Miami, FL 33178  
1.866.524.9898 Toll Free  
305.500.9898 Office  
305.500.9896 Fax  
<http://www.comfortstarusa.com>

---



The AHRI mark indicates Comfortstar participating in the AHRI Certification program. Visit [ahridirectory.org](http://ahridirectory.org) for verification of individual certified products. Comfortstar reserves the right to change design and specs without notice. Comfortstar has a policy of update the data continuously. We are committed to using environmentally conscious print practices.

CPR18CD(O) 8th DEC.2023  
Supersedes CPR18CD(O) (DEC.2023)

© 2023 ComfortStar