

## Submittal

### Split System Cooling

CPR24CD(O)

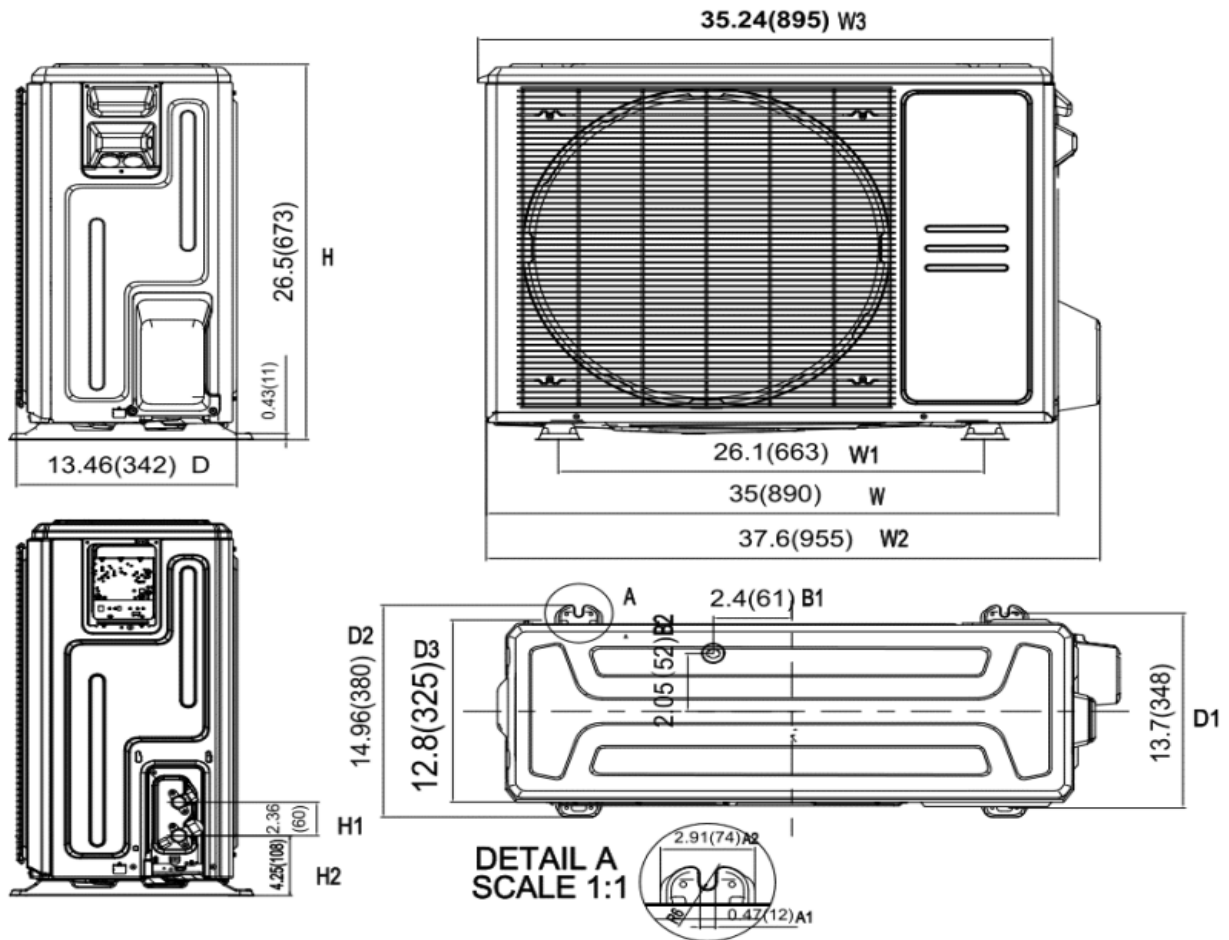
Location: \_\_\_\_\_  
Engineer: \_\_\_\_\_  
Submitted to: \_\_\_\_\_  
Submitted by: \_\_\_\_\_  
Reference: \_\_\_\_\_

Approval: \_\_\_\_\_  
Date: \_\_\_\_\_  
Construction: \_\_\_\_\_  
Unit # : \_\_\_\_\_  
Drawing # : \_\_\_\_\_



Note: " Graphics in this document are for representation only. Actual model may differ in appearance."

## Outdoor unit dimension





## Specification

<b>Outdoor Model</b>			<b>CPR24CD(O)</b>
Power supply (Outdoor)		V- Ph-Hz	208/230V,1Ph, 60Hz
MINIMUM CIRCUIT AMPACITY(Outdoor)		A	19
MAX.FUSE(Outdoor)		A	30
Compressor	Model		KTM240D57UMT
	Type		ROTARY
	Brand		GMCC
	Capacity	W	7740
	Input	W	2085
	Rated current(RLA)	A	14
	Thermal protector		/
	Thermal protector		NA
	Refrigerant oil/oil charge	ml	VG74/670
Outdoor fan motor	Model		ZKFN-80-8-3
	Input	W	/
	RLA	A	1
	Speed	r/min	810/700/450
Outdoor air flow		m3/h	3700
Outdoor air flow		CFM	2175
Outdoor noise level		dB(A)	56.5
Throttle type		/	EXV
Outdoor unit	Dimension(W*D*H)	mm	890x342x673
	Dimension(W*D*H)	inch	35.04x13.46x26.50
	Packing (W*D*H)	mm	995x398x740
	Packing (W*D*H)	inch	39.17x15.67x29.13
	Net/Gross weight	Kg	46.4/49.5
	Net/Gross weight	lbs.	102.3/109.1
Refrigerant type		oz	R410A/74.08
Refrigerant precharge		ft	25
Additional charge for each ft		oz	0.69
Design pressure		PSIG	550/340
Refrigerant piping	Liquid side/ Gas side	mm(inch)	9.52mm(3/8in)/19mm(3/4in)
	Max. refrigerant pipe	m	50
	Liquid side/ Gas side	mm(inch)	9.52mm(3/8in)/19mm(3/4in)
	Max. refrigerant pipe	m	50
	Max. refrigerant pipe	ft	164.04
	Max. difference in level	m	25
	Max. difference in level	ft	82.02

Outdoor Unit	Indoor Unit	Cooling Capacity	EER2	SEER2	HSPF	HSPF2
CPR24CD(O)	AHU24-SG2	24000(7400~26000)	10.5	17.0	9.2	7.6
CPR24CD(O)	ACP-24B	24000(9800~28200)	10.0	16.0	9.8	8.0

# ComfortStar®

12201 N W 107th Avenue  
Miami, FL 33178  
1.866.524.9898 Toll Free  
305.500.9898 Office  
305.500.9896 Fax  
<http://www.comfortstarusa.com>

---



The AHRI mark indicates Comfortstar participating in the AHRI Certification program. Visit [ahridirectory.org](http://ahridirectory.org) for verification of individual certified products. Comfortstar reserves the right to change design and specs without notice. Comfortstar has a policy of update the data continuously. We are committed to using environmentally conscious print practices.

CPR24CD(O) 8th DEC. 2023  
Supersedes CPR24CD(O) (DEC.2023)

© 2023 ComfortStar