

Submittal

Split System Cooling

CPR30CD(O)

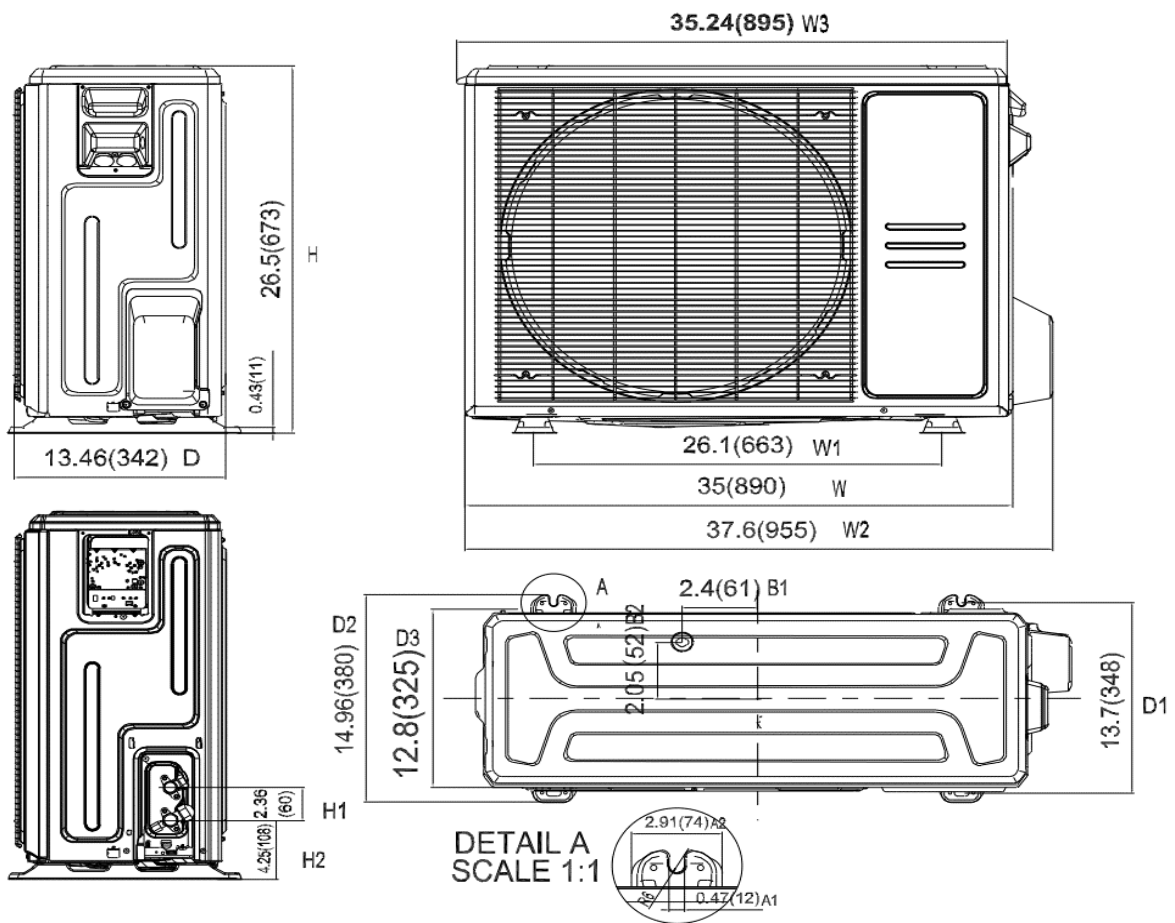
Location: _____
Engineer: _____
Submitted to: _____
Submitted by: _____
Reference: _____

Approval: _____
Date: _____
Construction: _____
Unit # : _____
Drawing # : _____



Note:" Graphics in this document are for representation only. Actual model may differ in appearance."

Outdoor unit dimension





Specification

Outdoor Model			CPR30CD(O)
Power supply (Outdoor)		V- Ph-Hz	208/230V,1Ph, 60Hz
MINIMUM CIRCUIT AMPACITY(Outdoor)		A	20
MAX.FUSE(Outdoor)		A	35
Compressor	Model		KTF250D22UMT
	Type		ROTARY
	Brand		GMCC
	Capacity	W	8095
	Input	W	2200
	Rated current(RLA)	A	16
	Thermal protector		/
	Thermal protector		NA
	Refrigerant oil/oil charge	ml	VG74/670
Outdoor fan motor	Model		ZKFN-120-8-2
	Input	W	150.0
	RLA	A	1.48
	Speed	r/min	950/700/500
Outdoor air flow		m3/h	5100
Outdoor air flow		CFM	3000.00
Outdoor noise level		dB(A)	61.5
Throttle type		/	EXV
Outdoor unit	Dimension(W*D*H)	mm	946x410x810
	Dimension(W*D*H)	inch	37.24x16.14x31.89
	Packing (W*D*H)	mm	1090x500x885
	Packing (W*D*H)	inch	42.91x19.69x34.84
	Net/Gross weight	Kg	64.3/68.7
	Net/Gross weight	lbs.	141.76/151.46
Refrigerant type		oz	R410A/107.59
Refrigerant precharge		ft	25
Additional charge for each ft		oz	0.69
Design pressure		PSIG	550/340
Refrigerant piping	Liquid side/ Gas side	mm(inch)	9.52mm(3/8in)/19mm(3/4in)
	Max. refrigerant pipe	m	65
	Liquid side/ Gas side	mm(inch)	9.52mm(3/8in)/19mm(3/4in)
	Max. refrigerant pipe	m	65
	Max. refrigerant pipe	ft	213.25
	Max. difference in level	m	30
	Max. difference in level	ft	98.42

Outdoor Unit	Indoor Unit	Cooling Capacity	EER2	SEER2	HSPF	HSPF2
CPR30CD(O)	AHU30-SG2	30000(9400~33000)	10.6	17.3	8.5	6.6
CPR30CD(O)	ACP-36C	30000(8000~33000)	10.2	14.9	9.3	7.1

ComfortStar®

12201 N W 107th Avenue
Miami, FL 33178
1.866.524.9898 Toll Free
305.500.9898 Office
305.500.9896 Fax
<http://www.comfortstarusa.com>



The AHRI mark indicates Comfortstar participating in the AHRI Certification program. Visit ahridirectory.org for verification of individual certified products. Comfortstar reserves the right to change design and specs without notice. Comfortstar has a policy of update the data continuously. We are committed to using environmentally conscious print practices.

CPR30CD(O) 8th DEC. 2023
Supersedes CPR30CD(O) (DEC.2023)

© 2023 ComfortStar