



# Submittal

## Split System Cooling

CPR36CD(O)

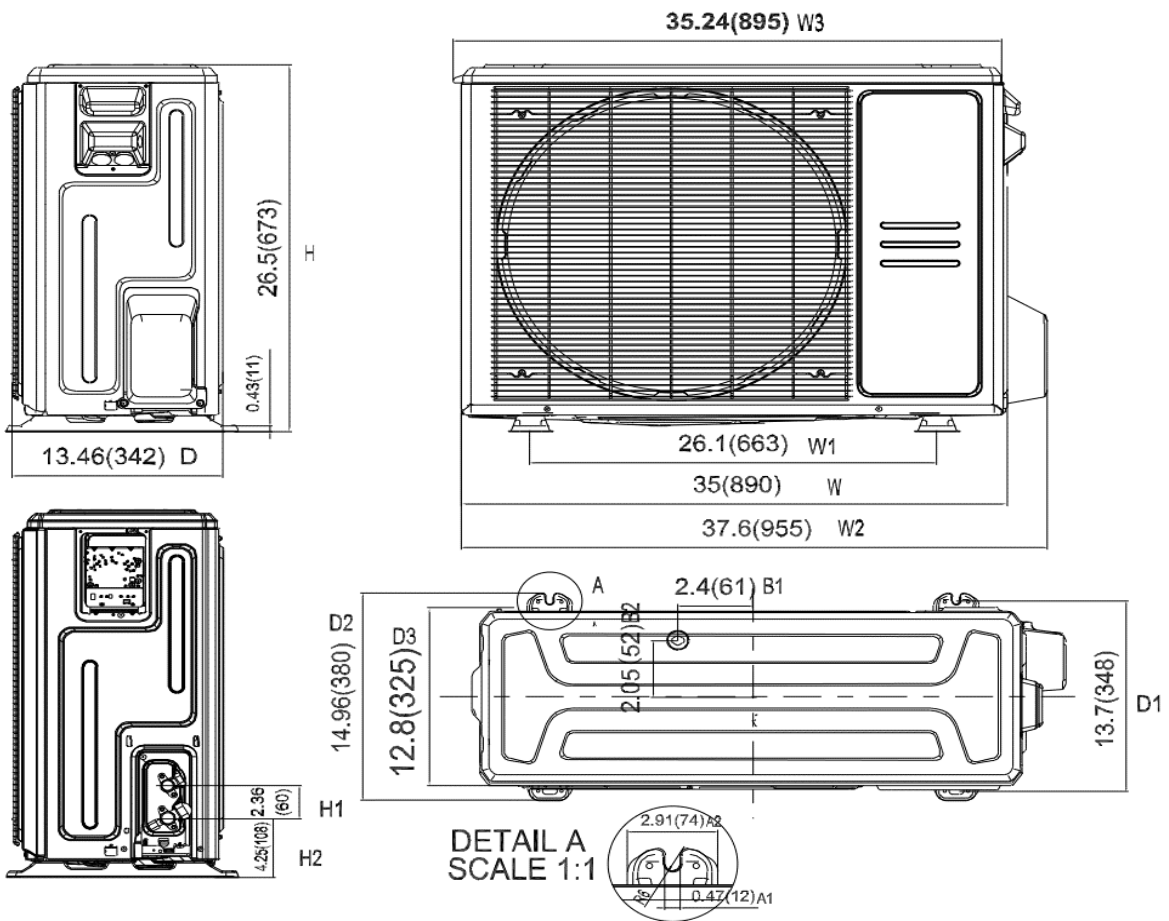
Location: \_\_\_\_\_  
Engineer: \_\_\_\_\_  
Submitted to: \_\_\_\_\_  
Submitted by: \_\_\_\_\_  
Reference: \_\_\_\_\_

Approval: \_\_\_\_\_  
Date: \_\_\_\_\_  
Construction: \_\_\_\_\_  
Unit # : \_\_\_\_\_  
Drawing # : \_\_\_\_\_



Note:" Graphics in this document are for representation only. Actual model may differ in appearance."

## Outdoor unit dimension





## Specification

<b>Outdoor Model</b>			<b>CPR36CD(O)</b>
Power supply (Outdoor)		V- Ph-Hz	208/230V,1Ph, 60Hz
MINIMUM CIRCUIT AMPACITY(Outdoor)		A	24
MAX.FUSE(Outdoor)		A	40
Compressor	Model		KTF250D22UMT
	Type		ROTARY
	Brand		GMCC
	Capacity	W	8095
	Input	W	2200
	Rated current(RLA)	A	17.6
	Thermal protector		/
	Thermal protector		NA
	Refrigerant oil/oil charge	ml	VG74/670
Outdoor fan motor	Model		ZKFN-120-8-2
	Input	W	150.0
	RLA	A	1.48
	Speed	r/min	950/700/500
Outdoor air flow		m3/h	5100
Outdoor air flow		CFM	3000.00
Outdoor noise level		dB(A)	61
Throttle type		/	EXV
Outdoor unit	Dimension(W*D*H)	mm	946x410x810
	Dimension(W*D*H)	inch	37.24x16.14x31.89
	Packing (W*D*H)	mm	1090x500x885
	Packing (W*D*H)	inch	42.91x19.69x34.84
	Net/Gross weight	Kg	68.8/73.1
	Net/Gross weight	lbs.	151.68/161.16
Refrigerant type		oz	R410A/130.51
Refrigerant precharge		ft	25
Additional charge for each ft		oz	0.69
Design pressure		PSIG	550/340
Refrigerant piping	Liquid side/ Gas side	mm(inch)	9.52mm(3/8in)/19mm(3/4in)
	Max. refrigerant pipe	m	65
	Liquid side/ Gas side	mm(inch)	9.52mm(3/8in)/19mm(3/4in)
	Max. refrigerant pipe	m	65
	Max. refrigerant pipe	ft	213.25
	Max. difference in level	m	30
	Max. difference in level	ft	98.42

Outdoor Unit	Indoor Unit	Cooling Capacity	EER2	SEER2	HSPF	HSPF2
CPR36CD(O)	AHU36-SG2	36000(7600~38800)	10.1	16.9	8.2	6.1
CPR36CD(O)	ACP-36C	36000(8000~38000)	9.3	14.4	8	6.2

# ComfortStar®

12201 N W 107th Avenue  
Miami, FL 33178  
1.866.524.9898 Toll Free  
305.500.9898 Office  
305.500.9896 Fax  
<http://www.comfortstarusa.com>

---



The AHRI mark indicates Comfortstar participating in the AHRI Certification program. Visit [ahridirectory.org](http://ahridirectory.org) for verification of individual certified products. Comfortstar reserves the right to change design and specs without notice. Comfortstar has a policy of update the data continuously. We are committed to using environmentally conscious print practices.

CPR36CD(O) 8th DEC. 2023  
Supersedes CPR36CD(O) (DEC.2023)

© 2023 ComfortStar