



# Submittal

## Split System Cooling

**BAH4-36-15**

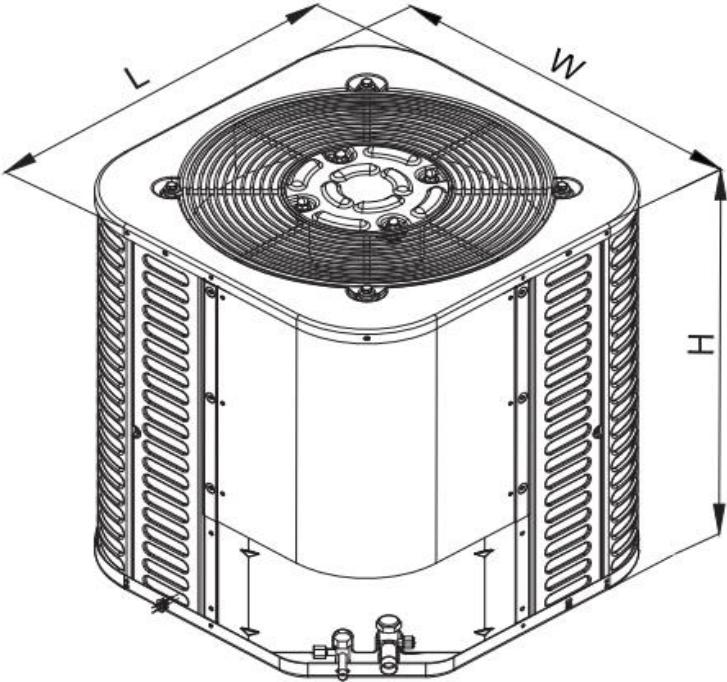
Location: \_\_\_\_\_  
Engineer: \_\_\_\_\_  
Submitted to: \_\_\_\_\_  
Submitted by: \_\_\_\_\_  
Reference: \_\_\_\_\_

Approval: \_\_\_\_\_  
Date: \_\_\_\_\_  
Construction: \_\_\_\_\_  
Unit # : \_\_\_\_\_  
Drawing # : \_\_\_\_\_



Note: "Graphics in this document are for representation only. Actual model may differ in appearance."

## Unit dimension



Unit size	
Model	H x W x L (inches)
18K/24K(AC)	25 x 21-4/5 x 21-4/5
24K(HP)/ 30K/36K	25 x 29-1/7 x 29-1/7
42K/48K/60K	32-7/8 x 29-1/7 x 29-1/7

# ComfortStar®

## Specification

Model			<b>BAH4-36-15</b>
Outdoor power supply		V/Ph/Hz	230V/1N/60HZ
Max. input consumption		W	3805.00
Max. current		A	21.00
MCA		A	20.00
MOP		A	30.00
Compressor	Model		APG029KAC
	Type		scroll
	Capacity	Btu/h	39600.00
	Input	W	1808.00
	Rated current(RLA)	A	8.30
	Locked rotor Amp(LRA)	A	79.00
Outdoor fan motor	Model		DRN-310-200-10
	Rate current	A	1.30
	Input	W	226.00
	Output	W	200.00
	Speed	rpm	950.00
Outdoor air flow		CFM	3350.00
Outdoor noise level		dB(A)	61.00
Throttling type			Piston
Outdoor dimension	Unit (WxHxD)	in	29-1/7×25×29-1/7
	Packing (WxHxD)	in	29-9/10×25-9/10×x29-9/10
	Net / Gross weight	lbs	163/170
Refrigerant pipe	Charging	oz	R410A/123.46
Operation temp range	Cooling	°F	58-115
	Heating	°F	15-75
	Heating (high vertical)	°F	23-75

Condenser Model	AHU Model	Capacity	EER2	SEER	SEER2	Capacity(heating)	HSPF
BAH4-36-15	LUC4-36-15	33000.00	11.70	15	14.30	32000	7.50
BAH4-36-15	CWM4-36-15	33000	11.7	15	14.3	33000	7.5

# ComfortStar®

12201 N W 107th Avenue  
Miami, FL 33178  
1.866.524.9898 Toll Free  
305.500.9898 Office  
305.500.9896 Fax  
<http://www.comfortstarusa.com>

---



The AHRI mark indicates Comfortstar participating in the AHRI Certification program. Visit [ahridirectory.org](http://ahridirectory.org) for verification of individual certified products. Comfortstar reserves the right to change design and specs without notice. Comfortstar has a policy of update the data continuously. We are committed to using environmentally conscious print practices.

BAH4-36-15 17th Aug. 2023  
Supersedes BAH4-36-15 (Aug.2023)

© 2023 ComfortStar