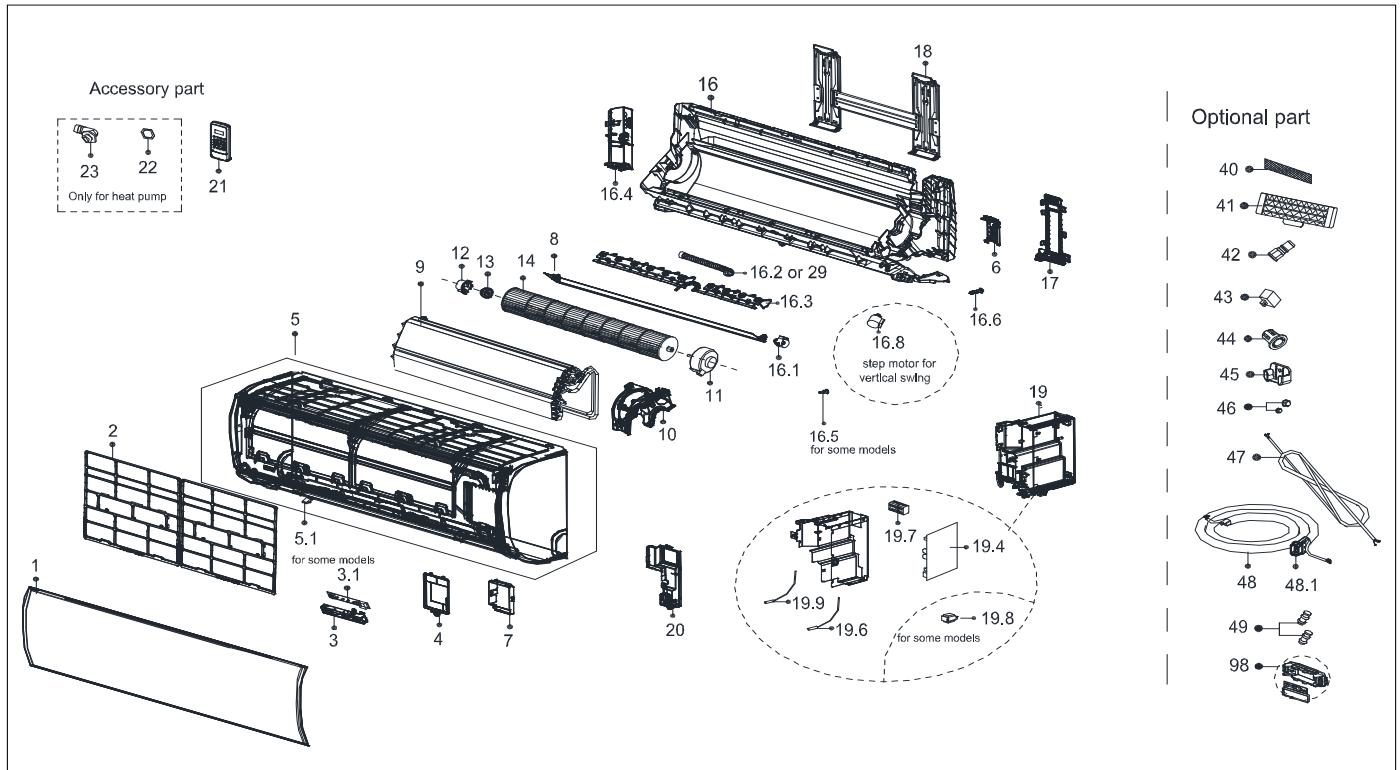


Exploded View

Model CT32-12CD(I) (17Z)

Service code: 17Z

ComfortStar®



EX_ID	Spare Parts Code	Part Name(EN)	Qty.	Price	Remarks
1	12122000013161	Panel assembly	1.0		
2	12122000015224	Air filter	2.0		
3	17222000011249	Display box assembly	1.0		
3.1	17122000022028	Display board assembly	1.0		
4	12122000013131	Cover for electrical parts	1.0		
5	12122000013170	Panel frame assembly	1.0		
5.1	12122000013139	Screw cover	2.0		
6	12122000013140	Right cover of chassis	1.0		
7	12122000013141	Cover of wiring terminal subassembly	1.0		

8	12122000013168	Horizontal louver	1.0		
9	15822000008195	evaporator assembly	1.0		
10	12122000013129	Cover, fan motor	1.0		
11	11002012001871	Motor	1.0		
12	12122000000350	bearing holder	1.0		
13	12622000000131	bearing base	1.0		
14	12100102000044	Cross flow fan	1.0		
16	12122000013163	Chassis assembly	1.0		
16.1	11002010000143	Stepper motor	1.0		
16.2	12100501000032	Drain pipe joint	1.0		
16.3	12122000013167	louver assembly	1.0		
16.4	12122000013123	Left cover of chassis	1.0		
16.5	12122000000344	Insulated axis	1.0		
16.6	12622000000030	Drainage plug	1.0		
17	12122000013136	Pipe clamp board	1.0		
18	12222000005844	Installation plate	1.0		
19	17222000040640	Structural components of indoor electric control box	1.0		
19.4	17122000058854	Indoor main control board subassembly	1.0		
19.6	11201007003447	Pipe temperature sensor subassembly	1.0		
19.7	17400401000094	Terminal block	1.0		
19.9	11201007003424	Ambient temperature sensor subassembly	1.0		
20	12122000013132	Cover of electronic control box	1.0		
21	17317000008016	remote controller	1.0		
40	12100204000685	Air freshening filter	1.0		
46	15500406000016	Copper nut	1.0		
46	15500406000012	Copper nut	1.0		