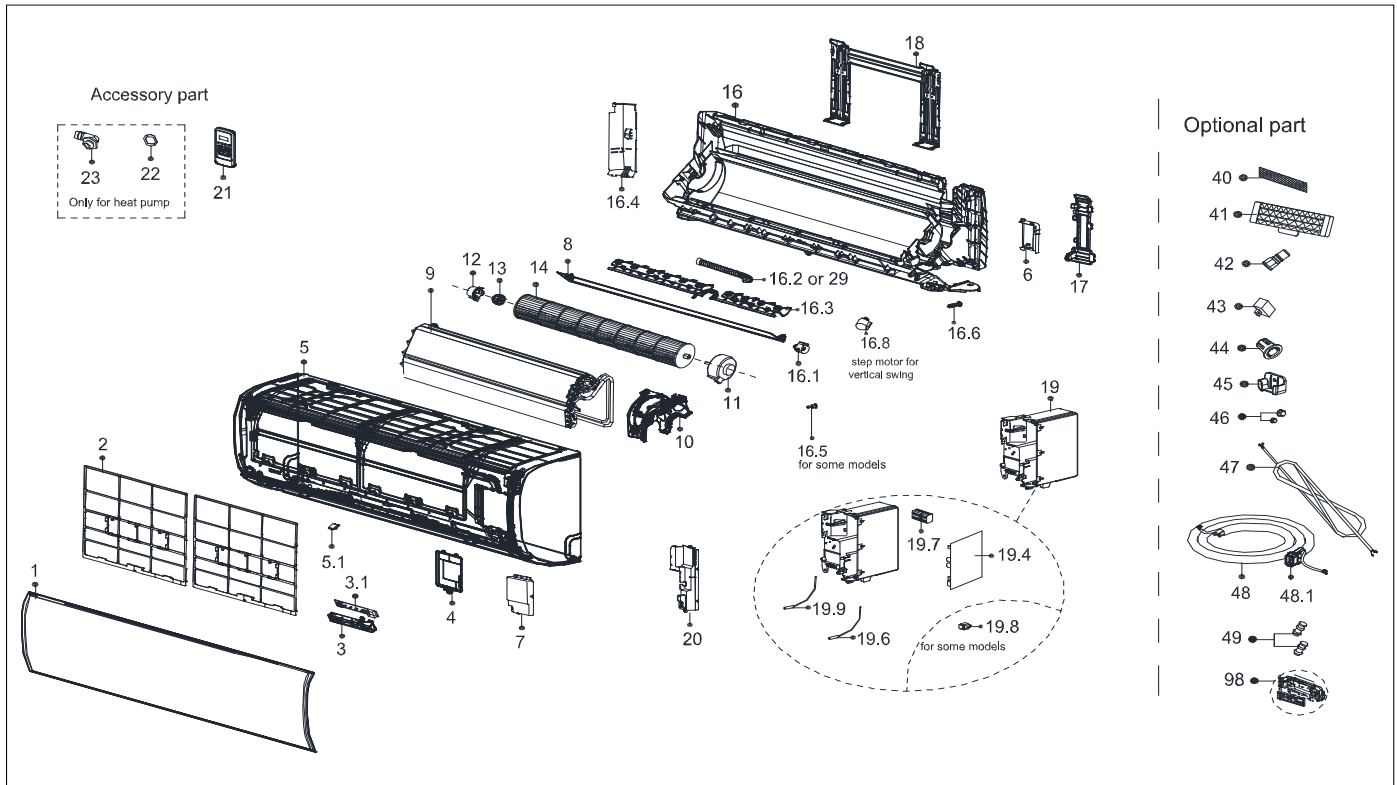


Exploded View

Model CT32-18CD(I) (182)

Service code: 182

ComfortStar®



| EX_ID | Spare Parts Code | Part Name(EN) | Qty. | Price | Remarks |
|-------|------------------|--------------------------------------|------|-------|---------|
| 1 | 12122000013173 | Panel assembly | 1.0 | | |
| 2 | 12100204001559 | Air filter | 2.0 | | |
| 3 | 17222000011249 | Display box assembly | 1.0 | | |
| 3.1 | 17122000022028 | Display board assembly | 1.0 | | |
| 4 | 12122000013131 | Cover for electrical parts | 1.0 | | |
| 5 | 12122000013179 | Panel frame assembly | 1.0 | | |
| 5.1 | 12122000013139 | Screw cover | 2.0 | | |
| 6 | 12122000013175 | Right cover of chassis | 1.0 | | |
| 7 | 12122000013141 | Cover of wiring terminal subassembly | 1.0 | | |

| | | | | | |
|------|----------------|--|-----|--|--|
| 8 | 12122000013187 | Horizontal louver | 1.0 | | |
| 9 | 15822000008178 | evaporator assembly | 1.0 | | |
| 10 | 12122000013176 | Cover, fan motor | 1.0 | | |
| 11 | 11002012019562 | Motor | 1.0 | | |
| 12 | 12122000000350 | bearing holder | 1.0 | | |
| 13 | 12622000000131 | bearing base | 1.0 | | |
| 14 | 12100102000131 | Cross flow fan | 1.0 | | |
| 16 | 12122000013181 | Chassis assembly | 1.0 | | |
| 16.1 | 11002010000143 | Stepper motor | 1.0 | | |
| 16.2 | 12100501000032 | Drain pipe joint | 1.0 | | |
| 16.3 | 12122000013183 | louver assembly | 1.0 | | |
| 16.4 | 12122000013186 | Left cover of chassis | 1.0 | | |
| 16.5 | 12122000000344 | Insulated axis | 1.0 | | |
| 16.6 | 12622000000030 | Drainage plug | 1.0 | | |
| 17 | 12122000013178 | Pipe clamp board | 1.0 | | |
| 18 | 12222000005866 | Installation plate | 1.0 | | |
| 19 | 17222000040615 | Structural components of indoor electric control box | 1.0 | | |
| 19.4 | 17122000058798 | Indoor main control board subassembly | 1.0 | | |
| 19.6 | 11201007003445 | Pipe temperature sensor subassembly | 1.0 | | |
| 19.7 | 17400401000094 | Terminal block | 1.0 | | |
| 19.9 | 11201007003424 | Ambient temperature sensor subassembly | 1.0 | | |
| 20 | 12122000013132 | Cover of electronic control box | 1.0 | | |
| 21 | 17317000008016 | remote controller | 1.0 | | |
| 40 | 12100204000685 | Air freshening filter | 1.0 | | |
| 46 | 15500406000016 | Copper nut | 1.0 | | |
| 46 | 15500406000012 | Copper nut | 1.0 | | |