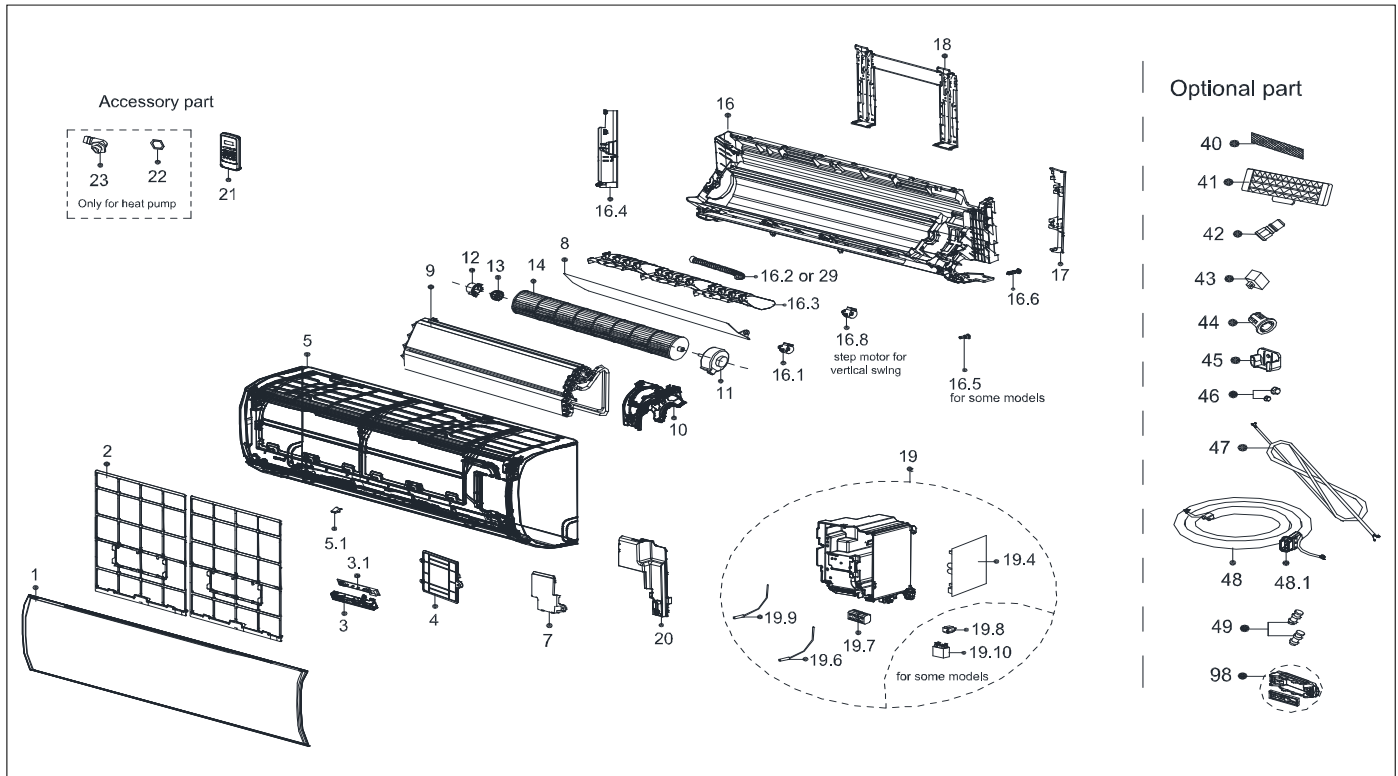


Exploded View

Model CT32-24CD(I) (184)

Service code: 184

ComfortStar®



EX_ID	Spare Parts Code	Part Name(EN)	Qty.	Price	Remarks
1	12122000013351	Panel assembly	1.0		
2	12122000015222	Air filter	2.0		
3	17222000011249	Display box assembly	1.0		
3.1	17122000022028	Display board assembly	1.0		
4	12122000013357	Cover for electrical parts	1.0		
5	12122000013353	Panel frame assembly	1.0		
5.1	12122000013355	Screw cover	2.0		
7	12122000013350	Cover of wiring terminal subassembly	1.0		
8	12122000013348	Horizontal louver	1.0		

9	15822000008281	evaporator assembly	1.0		
10	12122000013349	Cover, fan motor	1.0		
11	11002015017613	Motor	1.0		
12	12122000000350	bearing holder	1.0		
13	12622000000131	bearing base	1.0		
14	12100102000002	Cross flow fan	1.0		
16	12122000020045	Chassis assembly	1.0		
16.1	11002010000049	Stepper motor	1.0		
16.2	12100501000032	Drain pipe joint	1.0		
16.3	12122000013343	louver assembly	3.0		
16.4	12122000013342	Left cover of chassis	1.0		
16.5	12122000000344	Insulated axis	1.0		
16.6	12622000000030	Drainage plug	1.0		
17	12122000013346	Pipe clamp board	1.0		
18	12222000005965	Installation plate	1.0		
19	17222000041014	Structural components of indoor electric control box	1.0		
19.4	17122000059277	Indoor main control board subassembly	1.0		
19.6	11201007003447	Pipe temperature sensor subassembly	1.0		
19.7	17400401000006	Terminal block	1.0		
19.9	11201007003424	Ambient temperature sensor subassembly	1.0		
20	12122000013356	Cover of electronic control box	1.0		
21	17317000008016	remote controller	1.0		
40	12100204000685	Air freshening filter	1.0		
46	15500406000010	Copper nut	1.0		
46	15500406000003	Copper nut	1.0		