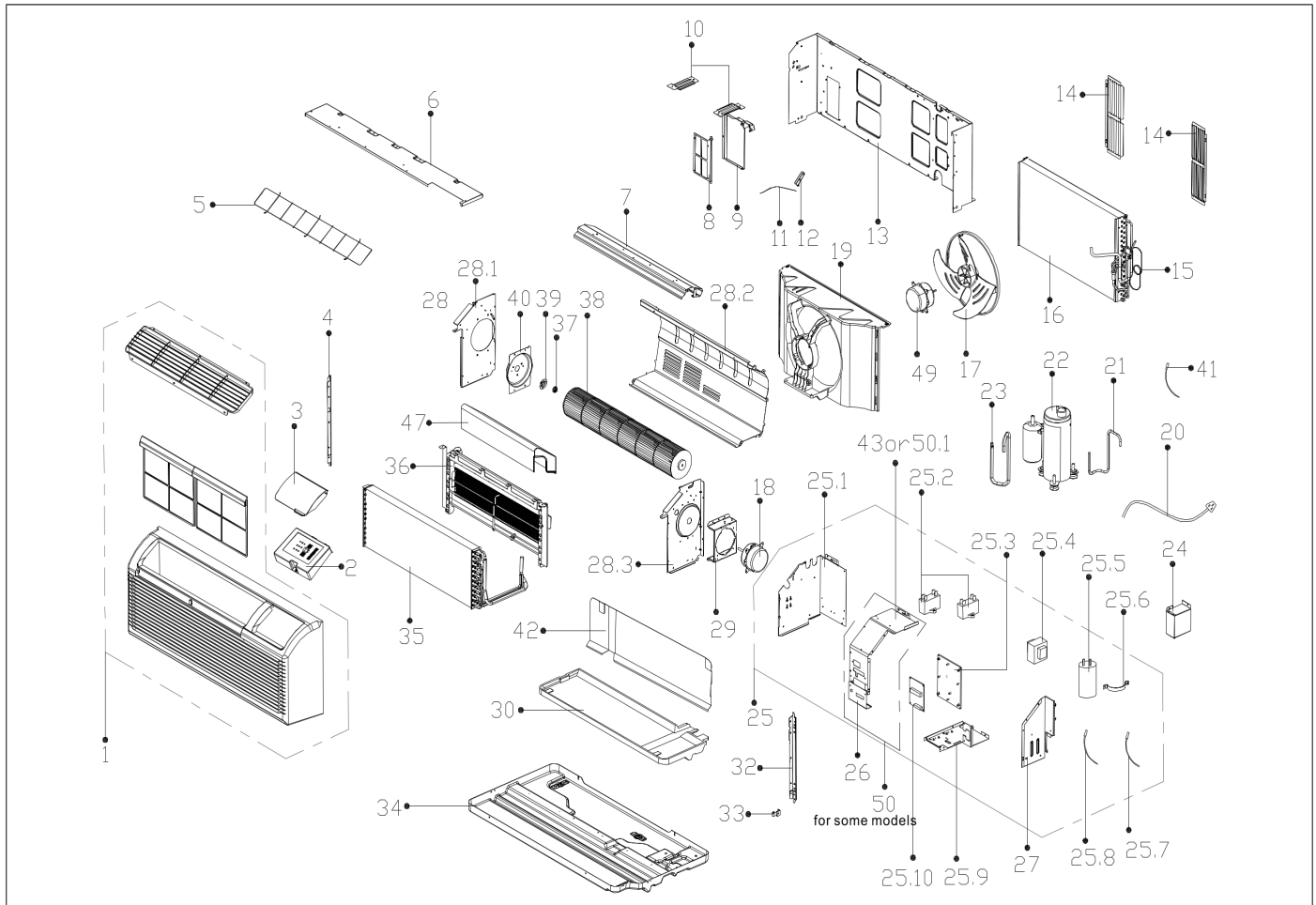


Exploded View

Model 89AC09CD35

ComfortStar®



EX_ID	Spare Parts Code	Part Name(EN)	Qty.	Price	Remarks
1	12120300000261	Panel frame subassembly	1		
2	17220300000096	Display box subassembly	1		
3	12120300A18978	Cover of control panel	1		
4	12220300000534	Fixing board(left)	1		
5	12220300000533	Rear net	1		
6	12220300000522	Front cover	1		

7	12220300000518	Volute shell	1		
8	12120300001288	Filter	1		
9	12220300000262	Fresh air door	1		
10	12220300000566	Linker for front separating board	2		
11	12220300000844	Wire of new vent door	1		
12	12220300000312	Connecting rod of fresh air door	1		
13	12220300000128	Front separating board	1		
14	12220300000517	Horizontal louver	2		
15	15120300001603	Capillary Assembly	1		
16	15820300000654	Condenser Assembly	1		
17	12100105000064	Axial flow fan	1		
18	11002012000822	Single phase asynchronous motor	1		
19	12120300000552	Rear separating	1		
20	17401202000107	American Standard Power Cord	1		
21	15120300001083	Discharge pipe assembly	1		
22	11103010000462	Fixed Speed Rotary Compressor	1		
23	15120300001403	Suction pipe assembly	1		
24	12220300000277	Line Board of Electrical Control Box	1		
25	17220300A01854	Electronic control box subassembly	1		
25.1	12220300000278	Rear Plate of Electrical Control Box	1		
25.2	17400101000084	Fan motor capacitor	1		
25.2	17400101000078	Fan motor capacitor	1		
25.3	12120300001401	Main control board holder	1		
25.4	11203103000087	Linear Transformer	1		
25.5	17400103000007	Capacitor of compressor	1		
25.6	12200203000007	Capacitor clip	1		
25.7	11201007000060	Room Temperature Sensor	1		
25.8	11201007000124	Pipe Temperature Sensor	1		
25.9	12220300000274	Base Plate of E-Parts Box	1		
25.10	17120300A00356	Main control board subassembly	1		
26	12220300A00131	Dialing Cover of E-Parts Box	1		
27	12220300000303	Cover of electronic control box	1		
28	12220300000513	Supporter subassembly of air passage	1		
29	12220300000449	Supporter of fan motor	1		

30	12820300000028	Condenser water tray	1		
32	12220300000537	Fixing board(right)	1		
33	12220300000560	Hook of Panel	2		
34	12220300000430	Chassis Subassembly	1		
35	15820300000088	Evaporator assembly	1		
36	17402006000013	Electric heater subassembly	1		
37	12622000000012	Bearing base	1		
38	12100102000055	Cross flow fan	1		
39	12220300000557	Cover of Bearing bracket	1		
40	12220300000514	Wind baffle board	1		
41	11201007000157	Discharge Temperature Sensor	2		
42	12920300000002	Condenser water tray	1		
47	12220300000540	Side plate	1		
49	11002012001435	Single Phase Asynchronous Motor	1		
50	17220300A01908	Wired controller	1		
50.1	12220300000272	Cover of electronic control box	1		
51	12020300A00076	Accessory kit	1		