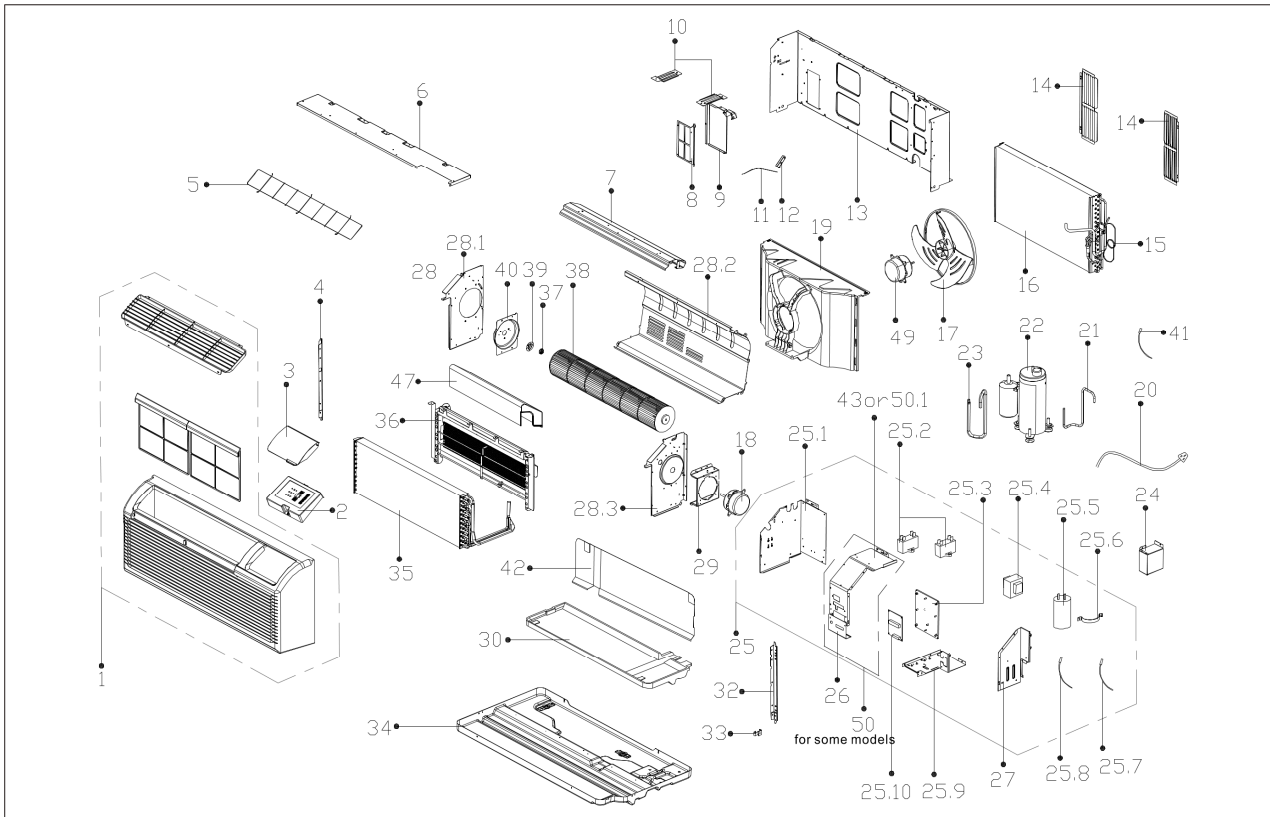


Exploded View

Model

89AC15CD35

ComfortStar®



EX_ID	Spare Parts Code	Part Name(EN)	Qty.	Price	Remarks	Update
1	12120300000261	Panel frame subassembly	1			
2	17220300A02496	Display box subassembly	1		JSN after*19127xxxx	20230801
	17220300000096				JSN after*17609xxxx	20230801
3	12120300A22166	Cover of control panel	1		JSN after*19127xxxx	20230801
	12120300A18978				JSN after*17A22xxxx	20230801
	12120300A20026				JSN after*17A22xxxx	20230801
	12120300A18978				JSN after*17609xxxx	20230801
4	12220300000534	Fixing board(left)	1			
5	12220300000533	Rear net	1			
6	12220300000522	Front cover	1			

7	12220300000518	Volute shell	1		
8	12120300001288	Filter	1		
9	12220300000262	Fresh air door	1		
10	12220300000566	Linker for front separating board	2		
12	12220300000312	Connecting rod of fresh air door	1		
13	12220300000128	Front separating board	1		
14	12220300000517	Horizontal louver	2		
15	15120300001515	Capillary Assembly	1		
16	15820300000649	Condenser Assembly	1		
17	12100105000064	Axial flow fan	1		
18	11002012000822	Single phase asynchronous motor	1		
19	12120300000552	Rear separating	1		
20	17401202000107	American Standard Power Cord	1		
21	15120300000753	Discharge pipe	1		
22	11103010000079	Fixed Speed Rotary Compressor	1		
23	15120300001348	Suction pipe assembly	1		
24	12220300000277	Line Board of Electrical Control Box	1		
25	17220300A07744	Electronic control box subassembly	1	JSN after*19127xxxx	20230801
	17220300A01857			JSN after*17609xxxx	20230801
25.1	12220300000278	Rear Plate of Electrical Control Box	1		
25.2	17400101000084	Fan motor capacitor	1		
25.2	17400101000078	Fan motor capacitor	1		
25.3	12120300001401	Main control board holder	1		
25.4	11203103000087	Linear Transformer	1		
25.5	17400103000055	Compressor Capacitor	1		
25.6	12200203000018	Capacitor clip	1		
25.7	11201007000060	Room Temperature Sensor	1		
25.8	11201007000124	Pipe Temperature Sensor	1		
25.9	12220300000274	Base Plate of E-Parts Box	1		
25.10	17120300A01458	Main control board subassembly	1	JSN after*19127xxxx	20230801
	17120300A00356			JSN after*17609xxxx	20230801
26	12220300A00131	Dialing Cover of E-Parts Box	1		
27	12220300000303	Cover of electronic control box	1		
28	12220300000513	Supporter subassembly of air passage	1		
29	12220300000449	Supporter of fan motor	1		
30	12820300000028	Condenser water tray	1		
32	12220300000537	Fixing board(right)	1		
33	12220300000560	Hook of Panel	2		

34	12220300000430	Chassis Subassembly	1			
35	15820300002651	Evaporator assembly	1			
36	17402006000013	Electric heater subassembly	1			
37	12622000000012	Bearing base	1			
38	12100102000055	Cross flow fan	1			
39	12220300000557	Cover of Bearing bracket	1			
40	12220300000514	Wind baffle board	1			
41	11201007000157	Discharge Temperature Sensor	2			
42	12920300000002	Condenser water tray	1			
47	12220300000540	Side plate	1			
49	11002012000629	Single Phase Asynchronous Motor	1			
50	17220300A01908	Wired controller	1			
50.1	12220300000272	Cover of electronic control box	1			
51	12020300A00053	Accessory kit	1			