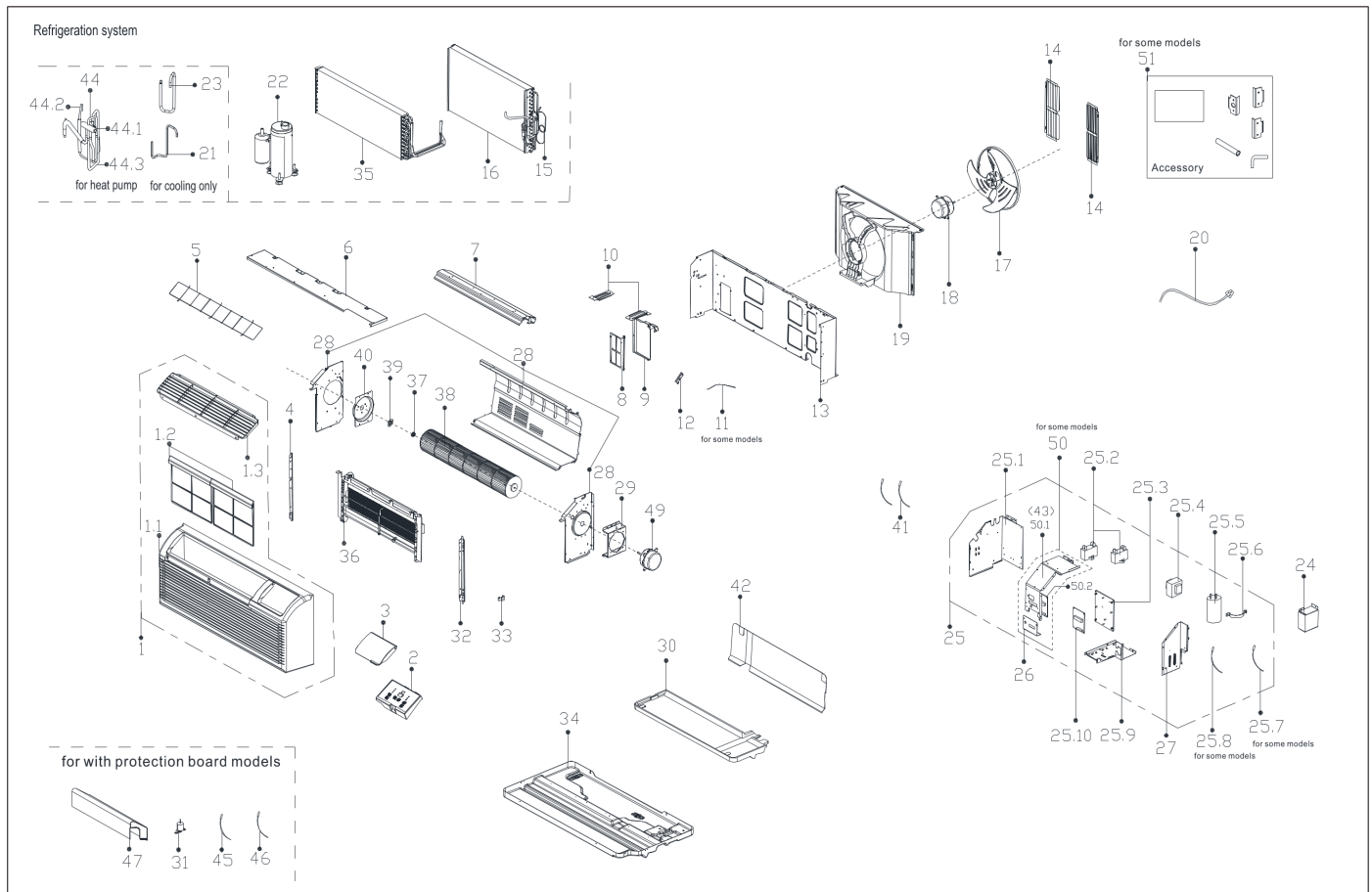


Exploded View

Model 89AC15CD35

ComfortStar®



EX_ID	Spare Parts Code	Part Name(EN)	Qty.	Price	Remarks
1	12120300000261	Panel frame subassembly	1		
1.1	12120300003185	Panel frame	1		
1.2	12120300A03940	Air filter	2		
1.3	12120300003184	Air outlet frame	1		
2	17220300004350	Display box subassembly	1		
3	12120300A22166	Cover of control panel	1		

4	12220300000534	Fixing board(left)	1		
5	12220300000533	Rear net	1		
6	12220300000522	Front cover	1		
7	12220300000518	Volute shell	1		
8	12120300001288	Filter	1		
9	12220300000262	Fresh air door	1		
10	12220300000566	Linker for front separating board	2		
12	12220300000312	Connecting rod of fresh air door	1		
13	12220300000128	Front separating board	1		
14	12220300000517	Horizontal louver	2		
15	15120300001475	Capillary Assembly	1		
16	15820300002882	Condenser assembly	1		
17	12100105000064	Axial flow fan	1		
18	11002012033914	Single Phase Asynchronous Motor	1		
19	12120300000552	Rear separating	1		
20	17401202000107	American Standard Power Cord	1		
21	15120300000753	Discharge pipe	1		
22	11103010000079	Fixed Speed Rotary Compressor	1		
23	15120300001348	Suction pipe assembly	1		
24	12220300000277	Line Board of Electrical Control Box	1		
25	17220300004234	Electronic control box subassembly	1		
25.1	12220300000278	Rear Plate of Electrical Control Box	1		
25.2	17400101000078	Fan motor capacitor	1		
25.2	17400101A00484	Fan Motor Capacitor	1		
25.3	12120300001401	Main control board holder	1		
25.4	11203103000087	Linear Transformer	1		
25.5	17400103000055	Compressor Capacitor	1		
25.6	12200203000018	Capacitor clip	1		
25.9	12220300000274	Base Plate of E-Parts Box	1		
25.10	17120300004110	Main control board subassembly	1		
26	12220300A00131	Dialing Cover of E-Parts Box	1		
27	12220300000303	Cover of electronic control box	1		
28	12220300000513	Supporter subassembly of air passage	1		
29	12220300000449	Supporter of fan motor	1		

30	12820300000028	Condenser water tray	1		
32	12220300000537	Fixing board(right)	1		
33	12220300000560	Hook of Panel	2		
34	12220300003659	Chassis assembly	1		
35	15820300002651	Evaporator assembly	1		
36	17402006000013	Electric heater subassembly	1		
37	12622000000012	Bearing base	1		
38	12100102000055	Cross flow fan	1		
39	12220300000557	Cover of Bearing bracket	1		
40	12220300000514	Wind baffle board	1		
41	11201007003124	Discharge Temperature Sensor	1		
41	11201007003427	Discharge Temperature Sensor	1		
42	12920300000002	Condenser water tray	1		
45	11201007003424	Room Temperature Sensor	1		
46	11201007003447	Pipe Temperature Sensor	1		
47	12220300000540	Side plate	1		
49	11002012033915	Single Phase Asynchronous Motor	1		
50	17122000046853	Dial switch subassembly	1		
50.1	12220300000272	Cover of electronic control box	1		
50.2	17122000047469	Switchboard subassembly	1		
51	12020300A00053	Accessory kit	1		