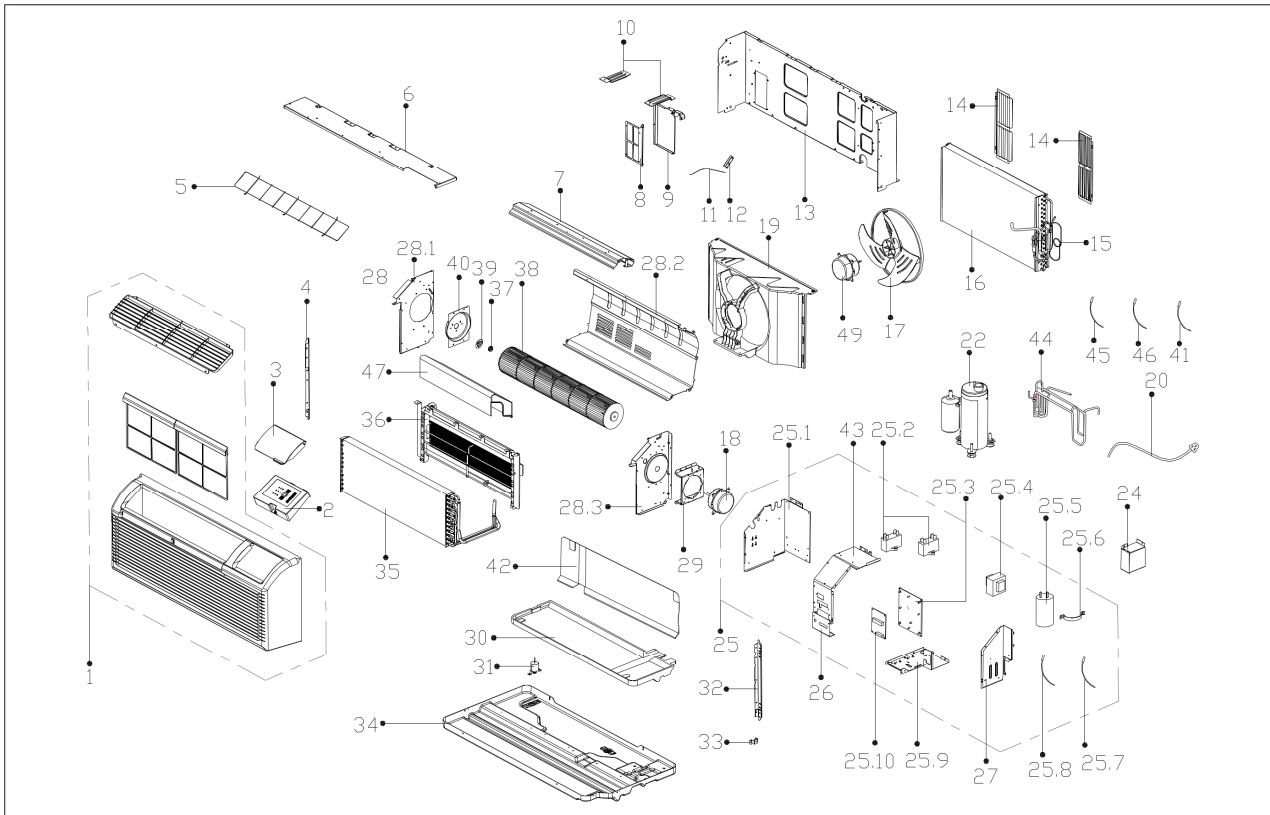


Exploded View

Model 89HP09CD35

ComfortStar®



EX_ID	Spare Parts Code	Part Name(EN)	Qty.	Price	Remarks	Update
1	12120300000261	Panel frame subassembly	1			
2	17220300A02496	Display box subassembly	1		JSN after*19127xxxx	20230801
	17220300000096				JSN after*17609xxxx	20230801
3	12120300A22166	Cover of control panel	1		JSN after*19127xxxx	20230801
	12120300A18978				JSN after*17609xxxx	20230801
4	12220300000534	Fixing board(left)	1			
5	12220300000533	Rear net	1			
6	12220300000522	Front cover	1			
7	12220300000518	Volute shell	1			
8	12120300001288	Filter	1			

9	12220300000262	Fresh air door	1			
10	12220300000566	Linker for front separating board	2			
12	12220300000312	Connecting rod of fresh air door	1			
13	12220300000128	Front separating board	1			
14	12220300000517	Horizontal louver	2			
15	15120300001460	Capillary Assembly	1			
16	15820300002489	Condenser assembly	1			
17	12100105000064	Axial flow fan	1			
18	11002012000822	Single phase asynchronous motor	1			
19	12120300000552	Rear separating	1			
20	17401202000107	American Standard Power Cord	1			
22	11103010000462	Fixed Speed Rotary Compressor	1			
24	12220300000277	Line Board of Electrical Control Box	1			
25	17220300003831	Electronic control box subassembly	1		JSN after*19127xxxx	20230801
	17220300A01855				JSN after*17609xxxx	20230801
25.1	12220300000278	Rear Plate of Electrical Control Box	1			
25.2	17400101000084	Fan motor capacitor	1			
25.2	17400101000078	Fan motor capacitor	1			
25.3	12120300001401	Main control board holder	1			
25.4	11203103000087	Linear Transformer	1			
25.5	17400103000007	Capacitor of compressor	1			
25.6	12200203000007	Capacitor clip	1			
25.7	11201007000060	Room Temperature Sensor	1			
25.8	11201007000124	Pipe Temperature Sensor	1			
25.9	12220300000274	Base Plate of E-Parts Box	1			
25.10	17120300003749	Main control board subassembly	1		JSN after*19127xxxx	20230801
	17120300A00358				JSN after*17609xxxx	20230801
26	12220300A00131	Dialing Cover of E-Parts Box	1			
27	12220300000303	Cover of electronic control box	1			
28	12220300000513	Supporter subassembly of air passage	1			
28.1	P73001980825	Support plate for Air Duct	1			
28.2	P0001397384	Air Duct	1			
28.3	P73001980828	Support plate for Air Duct	1			
29	12220300000449	Supporter of fan motor	1			
30	12820300000028	Condenser water tray	1			
31	17400510000003	Drain valve	1			
32	12220300000537	Fixing board(right)	1			
33	12220300000560	Hook of Panel	2			

34	12220300000404	Chassis Subassembly	1			
35	15820300002505	Evaporator assembly	1			
36	17402006000013	Electric heater subassembly	1			
37	12622000000012	Bearing base	1			
38	12100102000055	Cross flow fan	1			
39	12220300000557	Cover of Bearing bracket	1			
40	12220300000514	Wind baffle board	1			
41	11201007000157	Discharge Temperature Sensor	2			
42	12920300000002	Condenser water tray	1			
44	15420300000069	4-way valve assembly	1			
44.1	15500216000008	4-way valve	1			
44.2	15120300000692	Discharge pipe	1			
45	11201007003443	Room Temperature Sensor	1		JSN after*19127xxxx	20230801
	11201007000067				JSN after*17609xxxx	20230801
46	11201007003444	Pipe Temperature Sensor	1		JSN after*19127xxxx	20230801
	11201007000196				JSN after*17609xxxx	20230801
47	12220300000540	Side plate	1			
49	11002012001435	Single Phase Asynchronous Motor	1			
50	17220300A01909	Wired controller	1			
50.1	12220300000272	Cover of electronic control box	1			
51	12020300A00053	Accessory kit	1			