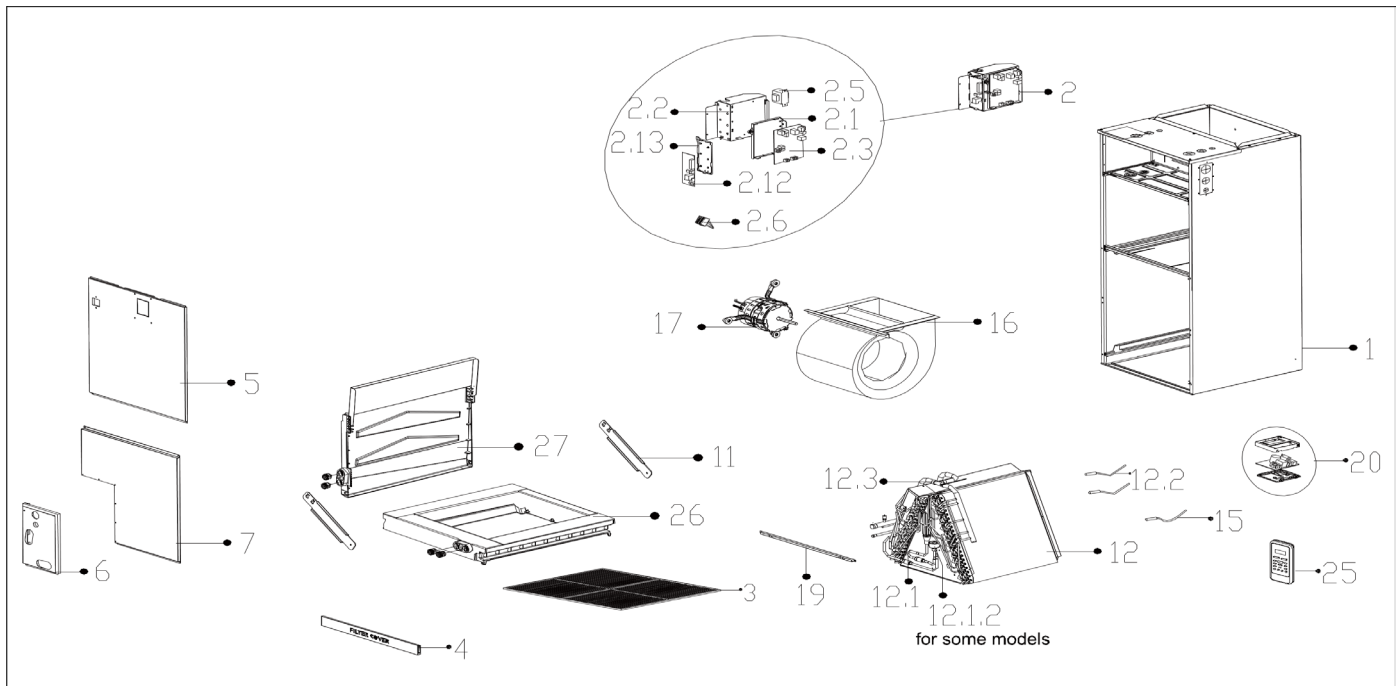


# Exploded View

**Model** AHU18-M (OWD)  
**Service code:** OWD

# ComfortStar®



| EX_ID | Spare Parts Code | Part Name(EN)                           | Qty. | Price | Remarks              |
|-------|------------------|---|------|-------|----------------------|
| 1     | 12223100000662   | Chassis assembly                        | 1    |       | JSN after *21B28xxxx |
|       | 12223100000893   |   |      |       | CSN after *23222xxxx |
| 2     | 17223000008202   | Duct electronic control box subassembly | 1    |       | JSN after *21B28xxxx |
|       | 17223000009542   |   |      |       | CSN after *23222xxxx |
| 2.1   | 12123000000920   | Installation plate for main board       | 1    |       |                      |
| 2.2   | 12223100000631   | E-part box Subassembly                  | 1    |       | JSN after *21B28xxxx |
|       | 12223100000876   |   |      |       | CSN after *23222xxxx |
| 2.3   | 17123000011299   | Duct main control board subassembly     | 1    |       | No.ECN240621-1       |
|       | 17123000008577   |   |      |       | JSN after *21B28xxxx |

|      |                |   |   |  |                      |
|------|----------------|---|---|--|----------------------|
|      | 17123000010339 |   |   |  | CSN after *23222xxxx |
| 2.5  | 11203103000087 | Linear Transformer  | 1 |  | JSN after *21B28xxxx |
|      | 11203103002659 |   |   |  | CSN after *23222xxxx |
| 2.6  | 17400401000097 | Wire joint  | 1 |  |                      |
| 2.12 | 17122000058548 | Data transfer module control board<br>printed board subassembly | 1 |  | JSN after *21B28xxxx |
|      | 17122000059682 |   |   |  | CSN after *23222xxxx |
| 2.13 | 12120300000522 | Bracket of main control board                                   | 1 |  |                      |
| 3    | 12223000014170 | Air filter  | 1 |  |                      |
| 4    | 12223100000654 | Dust mesh   | 1 |  |                      |
| 5    | 12223100000664 | Upper Cover Plate assembly                                      | 1 |  | JSN after *21B28xxxx |
|      | 12223100000892 |   |   |  | CSN after *23222xxxx |
| 6    | 12223100000711 | Clamp for connecting pipe assembly                              | 1 |  |                      |
| 7    | 12223100000666 | Under Cover Plate assembly                                      | 1 |  | JSN after *21B28xxxx |
|      | 12223100000894 |   |   |  | CSN after *23222xxxx |
| 11   | 12223100000663 | Bracket for Water collector                                     | 2 |  |                      |
| 12   | 15823100000582 | Evaporator assembly   | 1 |  | JSN after *21B28xxxx |
|      | 15823100000687 |   |   |  | CSN after *23222xxxx |
| 12.1 | 15123000012908 | Evaporator inlet pipe subassembly                               | 1 |  | JSN after *21B28xxxx |
|      | 15123000013347 |   |   |  | CSN after *23222xxxx |
| 12.2 | 11201007003441 | Pipe Temperature Sensor   | 1 |  |                      |
| 12.3 | 15123000012907 | Evaporator outlet pipe subassembly                              | 1 |  | JSN after *21B28xxxx |
|      | 15123000013352 |   |   |  | CSN after *23222xxxx |
| 15   | 11201007003563 | Room Temperature Sensor   | 1 |  | JSN after *21B28xxxx |
|      | 11201007004864 |   |   |  | CSN after *23222xxxx |
| 16   | 12200101000018 | Fan ass'y   | 1 |  |                      |
| 17   | 11002015013969 | Brushless DC Motor  | 1 |  |                      |
| 19   | 12223100000665 | Clamp for Cover Plate assembly                                  | 1 |  |                      |
| 20   | 17317100006495 | Wired controller  | 1 |  | JSN after *21B28xxxx |
|      | 17317100008515 |   |   |  | CSN after *23222xxxx |
| 25   | 17317000A63966 | Remote controller   | 1 |  |                      |
| 26   | 12123100000025 | Main Water collector assembly                                   | 1 |  |                      |
| 27   | 12123100000026 | Deputy Water collector assembly                                 | 1 |  |                      |