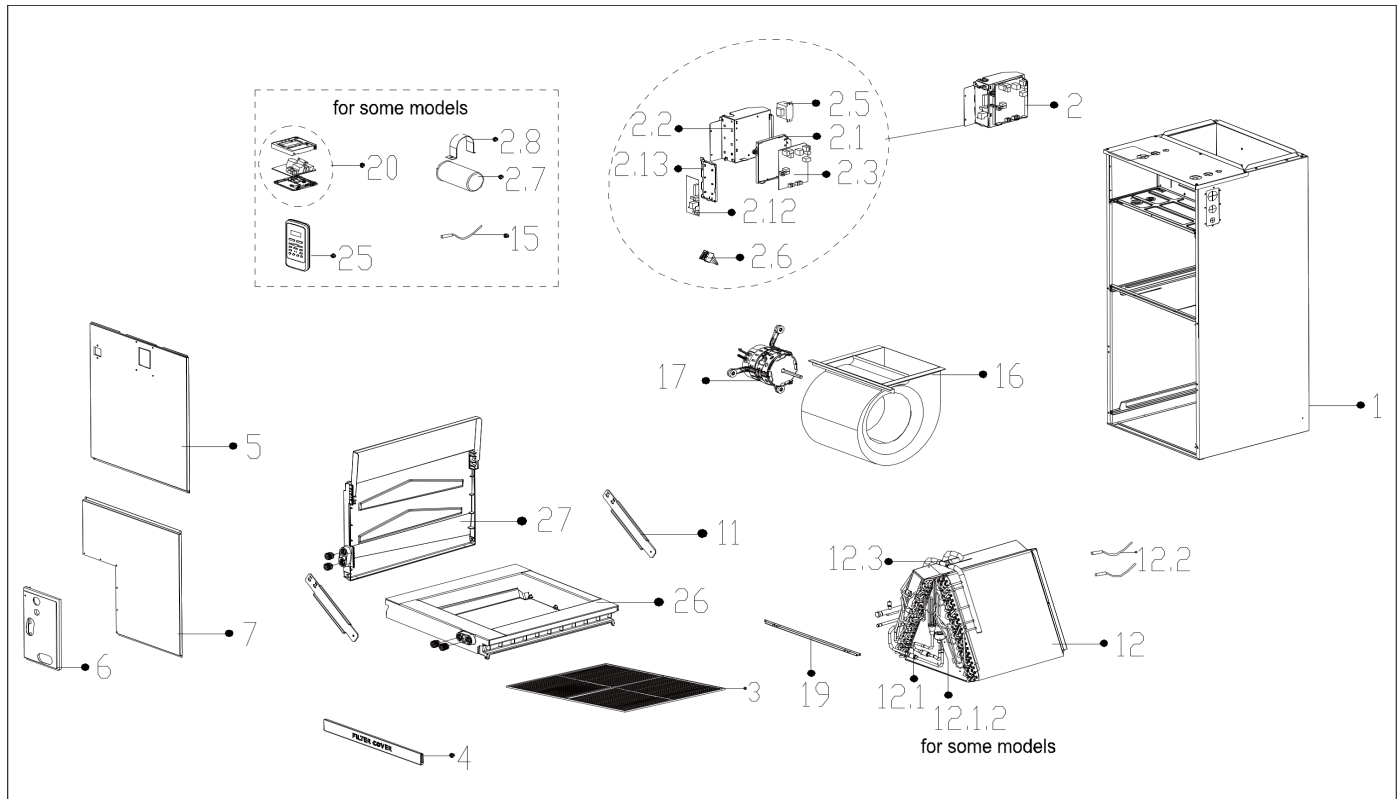


Exploded View

Model AHU18-SG2 (0PK)

ComfortStar®

Service code: 0PK



EX_ID	Spare Parts Code	Part Name(EN)	Qty.	Price	Remarks
1	12223100000662	Chassis assembly	1		
2	17223000007762	Duct electronic control box subassembly	1		
2.1	12123000000920	Installation plate for main board	1		
2.2	12223100000876	E-part box Subassembly	1		JSN after*22A24xxxx
	12223100000631				CSN after*22314xxxx
2.3	17123000011300	Duct main control board subassembly	1		old part NO.17123000007
2.5	11203103000087	Linear Transformer	1		
2.6	17400401000085	Wire joint	1		
2.12	17122000058548	Data transfer module control board printed board subassembly	1		JSN after*22422xxxx

	17122000055387				CSN after*22418xxxx
	17122000058548				JSN after*22314xxxx
2.13	12120300000522	Bracket of main control board	1		
3	12223000014170	Air filter	1		
4	12223100000654	Dust mesh	1		
5	12223100000664	Upper Cover Plate assembly	1		
6	12223100000711	Clamp for connecting pipe assembly	1		
7	12223100000666	Under Cover Plate assembly	1		
11	12223100000663	Bracket for Water collector	2		
12	15823100000624	Evaporator assembly	1		
12.1	15123000013127	Evaporator inlet pipe subassembly	1		
12.1.2	15500213000176	Electronic expansion valve body	1		
12.2	11201007004863	Pipe temperature sensor	1		
12.2	11201007003441	Pipe Temperature Sensor	1		
12.3	15123000012867	Evaporator outlet pipe subassembly	1		
15	11201007003563	Room Temperature Sensor	1		
16	12200101000018	Fan ass'y	1		
17	11002015013969	Brushless DC Motor	1		
19	12223100000665	Clamp for Cover Plate assembly	1		
20	17317100006495	Wired controller	1		
25	17317000A63487	Remote controller	1		
26	12123100000025	Main Water collector assembly	1		
27	12123100000026	Deputy Water collector assembly	1		
30	15123000012887	Evaporator connecting pipe subassembly	1		add,CSN after*22A24xxxx
30	15123000012948	Evaporator connecting pipe subassembly	1		add,CSN after*22A24xxxx