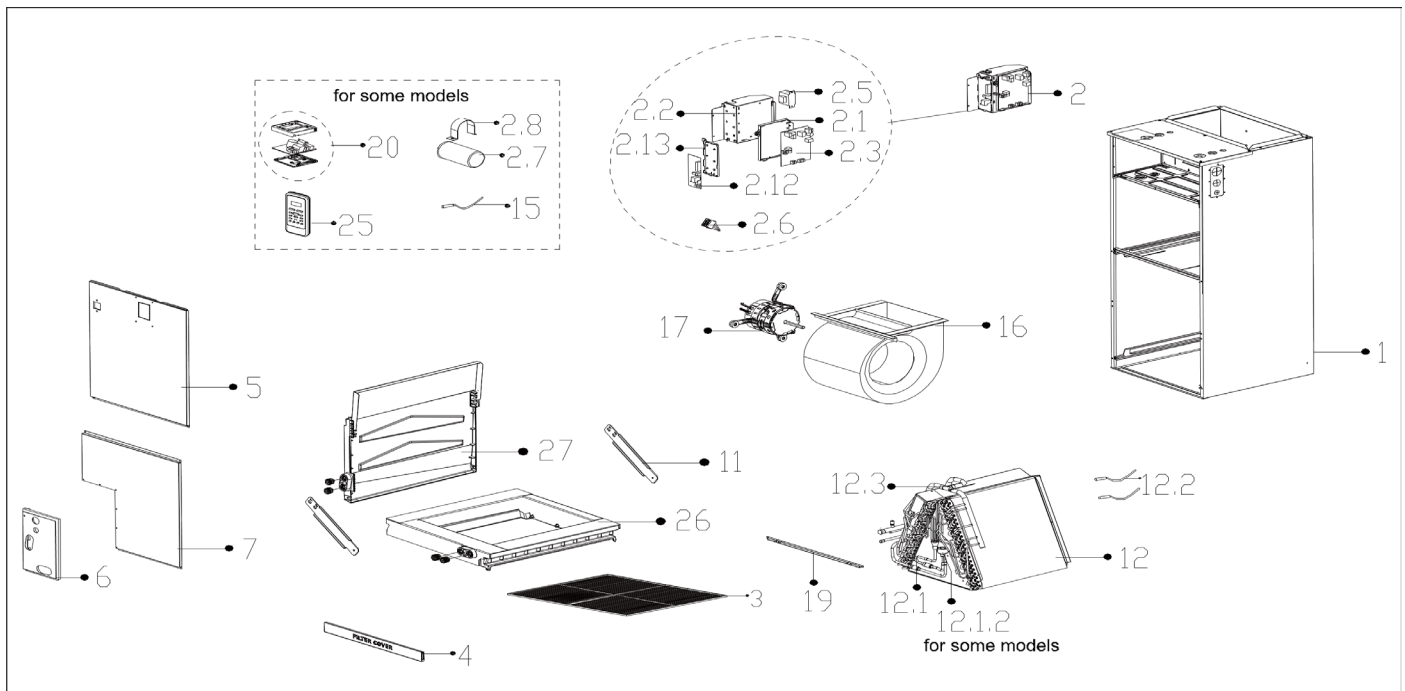


# Exploded View

**Model** AHU30-M (0WF)  
**Service code:** 0WF

# ComfortStar®



EX_ID	Spare Parts Code	Part Name(EN)	Qty.	Price	Remarks
1	12223100000659	Chassis assembly	1		
2	17223000008202	Duct electronic control box subassembly	1		
2.1	12123000000920	Installation plate for main board	1		
2.2	12223100000631	E-part box Subassembly	1		
2.3	17123000011299	Duct main control board subassembly	1		No.ECN240621-1
	old part NO.17123000008577				
2.5	11203103000087	Linear Transformer	1		
2.6	17400401000097	Wire joint	1		
2.12	17122000058548	Data transfer module control board printed board subassembly	1		

2.13	12120300000522	Bracket of main control board	1		
3	12223000014171	Air filter	1		
4	12223100000652	Dust mesh	1		
5	12223100000667	Upper Cover Plate assembly	1		
6	12223100000711	Clamp for connecting pipe assembly	1		
7	12223100000653	Under Cover Plate assembly	1		
11	12223100000663	Bracket for Water collector	2		
12	15823000006143	Evaporator assembly	1		
12.1	15123000012768	Evaporator inlet pipe subassembly	1		
12.2	11201007003437	Pipe Temperature Sensor	1		
12.3	15123000012927	Evaporator outlet pipe subassembly	1		
15	11201007004864	Room Temperature Sensor	1		
16	12200101000253	centrifuge fan assembly	1		
17	11002015015864	Brushless DC Motor	1		
19	12223100000657	Clamp for Cover Plate assembly	1		
20	17317100006495	Wired controller	1		
25	17317000A63966	Remote controller	1		
26	12123100000024	Main Water collector assembly	1		
27	12123100000028	Deputy Water collector assembly	1		