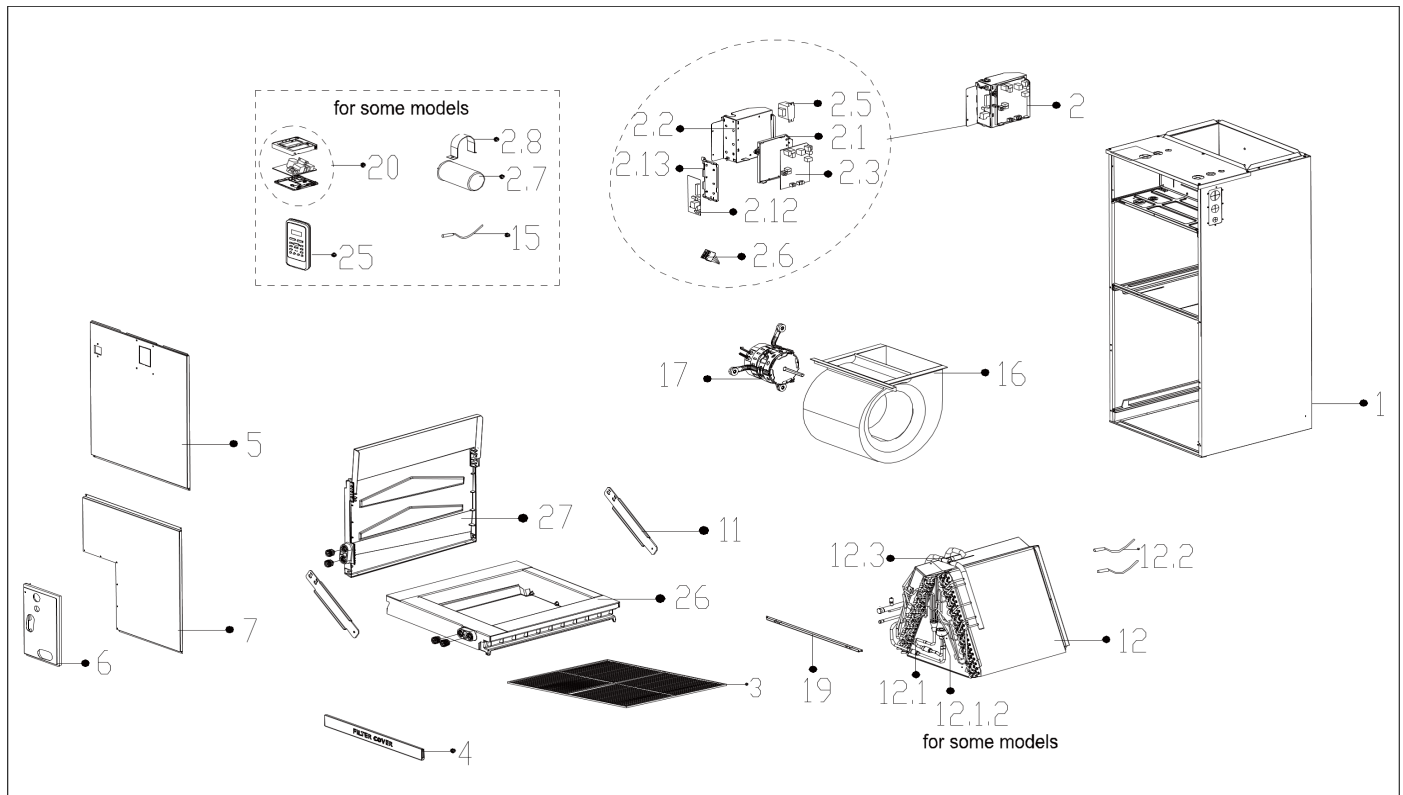


Exploded View

Model AHU36-M (0WG)
Service code: 0WG

ComfortStar®



EX_ID	Spare Parts Code	Part Name(EN)	Qty.	Price	Remarks
1	12223100000879	Chassis assembly	1		
2	17223000008482	Duct electronic control box subassembly	1		
	17223000009523				CSN after *2322xxxx
2.1	12123000000920	Installation plate for main board	1		
2.2	12223100000876	E-part box Subassembly	1		
2.3	17123000011327	Duct main control board subassembly	1		No.ECN240621-1
	old part NO.'17123000008917				
	17123000010358				CSN after *2322xxxx
2.5	11203103000087	Linear Transformer	1		

	11203103002659				CSN after *23222xxxx
2.6	17400401000097	Wire joint	1		
2.12	17122000058548	Data transfer module control board printed board subassembly	1		
	17122000059682				CSN after *23222xxxx
2.13	12120300000522	Bracket of main control board	1		
3	12223000014171	Air filter	1		
4	12223100000652	Dust mesh	1		
5	12223100000880	Upper Cover Plate assembly	1		
6	12223100000711	Clamp for connecting pipe assembly	1		
7	12223100000897	Under Cover Plate assembly	1		
11	12223100000663	Bracket for Water collector	2		
12	15823100000688	Evaporator assembly	1		
12.1	15123000013327	Evaporator inlet pipe subassembly	1		
12.2	11201007003437	Pipe Temperature Sensor	1		
12.3	15123000013332	Evaporator outlet pipe subassembly	1		
15	11201007004864	Room Temperature Sensor	1		
16	12200101000253	centrifuge fan assembly	1		
17	11002015015864	Brushless DC Motor	1		
19	12223100000657	Clamp for Cover Plate assembly	1		
20	17317100006495	Wired controller	1		
	17317100A34929				CSN after *23222xxxx
25	17317000A63966	Remote controller	1		
26	12123100000024	Main Water collector assembly	1		
27	12123100000063	Deputy Water collector assembly	1		