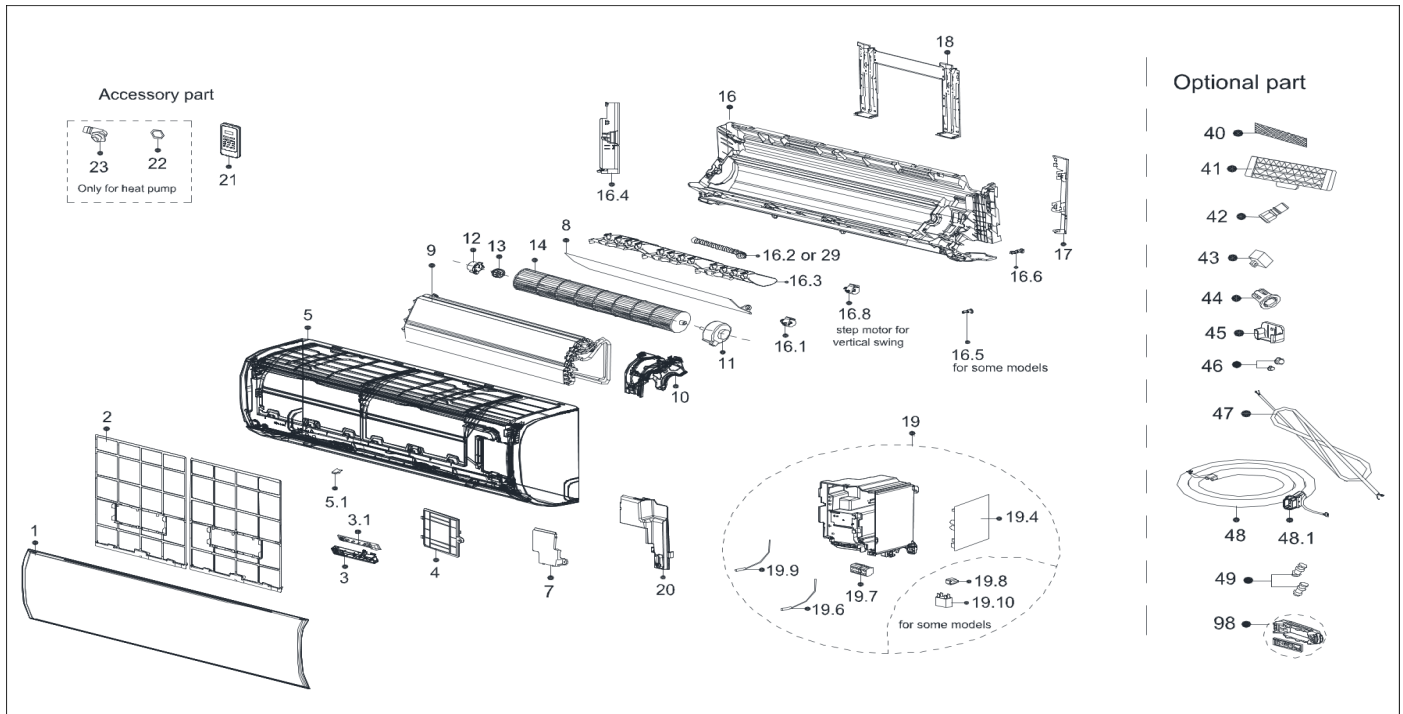


# Exploded View

Model

CFU24CD(I)

ComfortStar®



EX_ID	Spare Parts Code	Part Name(EN)	Qty.	Price	Remarks
1	12122000A88517	Panel assembly	1.00		
1	12122000A88517	Panel assembly	1.00		
2	12122000015222	Filter	2.00		
2	12122000015222	Filter	2.00		
3	17222000A18768	Display Box Subassembly	1.00		
3	17222000A18768	Display Box Subassembly	1.00		
3.1	17122000041912	Display board subassembly	1.00		
3.1	17122000041912	Display board subassembly	1.00		
4	12122000013357	Cover Plate	1.00		
4	12122000013357	Cover Plate	1.00		

5	12122000013353	Panel Frame Assembly	1.00		
5	12122000013353	Panel Frame Assembly	1.00		
5.1	12122000013355	Screw Cap	2.00		
5.1	12122000013355	Screw Cap	2.00		
7	12122000013350	Cover of Electrical Equipment Subassembly	1.00		
7	12122000013350	Cover of Electrical Equipment Subassembly	1.00		
8	12122000013348	Louver	1.00		
8	12122000013348	Louver	1.00		
9	15822000008281	Evaporator Assembly	1.00		
9	15822000008281	Evaporator Assembly	1.00		
10	12122000013349	Motor Cover	1.00		
10	12122000013349	Motor Cover	1.00		
11	11002012042416	Single phase asynchronous motor	1.00		
11	11002012042416	Single phase asynchronous motor	1.00		
12	12122000000350	Bearing Sleeve	1.00		
12	12122000000350	Bearing Sleeve	1.00		
13	12622000000131	Bearing Block Assembly	1.00		
13	12622000000131	Bearing Block Assembly	1.00		
14	12100102000002	Cross Flow Fan	1.00		
14	12100102000002	Cross Flow Fan	1.00		
16	12122000020045	Chassis Assembly	1.00		
16	12122000020045	Chassis Assembly	1.00		
16.1	11002010000049	Stepper Motor	1.00		
16.1	11002010000049	Stepper Motor	1.00		
16.3	12122000013343	Horizontal Louver	3.00		
16.3	12122000013343	Horizontal Louver	3.00		
16.4	12122000013342	Front Cover of Chassis(Left )	1.00		
16.4	12122000013342	Front Cover of Chassis(Left )	1.00		
16.6	12622000000030	Drainage plug	1.00		
16.6	12622000000030	Drainage plug	1.00		
17	12122000013346	pipe clamp board	1.00		
17	12122000013346	pipe clamp board	1.00		
18	12222000005965	Installation Plate	1.00		
18	12222000005965	Installation Plate	1.00		

19	17222000043108	Electronic control box subassembly (Mid-and low-end)	1.00		
19	17222000043108	Electronic control box subassembly (Mid-and low-end)	1.00		
19.4	17122000062658	Main Control Board Subassembly	1.00		
19.4	17122000062658	Main Control Board Subassembly	1.00		
19.6	11201007003447	Pipe Temperature Sensor	1.00		
19.6	11201007003447	Pipe Temperature Sensor	1.00		
19.7	17400401000006	Terminal	1.00		
19.7	17400401000006	Terminal	1.00		
19.9	11201007003424	Room Temperature Sensor	1.00		
19.9	11201007003424	Room Temperature Sensor	1.00		
19.10	17400101A00484	Fan Motor Capacitor	1.00		
19.10	17400101A00484	Fan Motor Capacitor	1.00		
20	12122000013356	Electrical Control Box Cover Subassembly	1.00		
20	12122000013356	Electrical Control Box Cover Subassembly	1.00		
21	17317000A65321	Remote controller	1.00		
21	17317000A65321	Remote controller	1.00		
40	12100204000685	Cold Catalyst Air Filter	1.00		
40	12100204000685	Cold Catalyst Air Filter	1.00		
45	12122000029201	Bracket of Remote Controller	1.00		
45	12122000029201	Bracket of Remote Controller	1.00		
47	17401203A00145	Indoor and Outdoor Junction Cable	1.00		
47	17401203A00145	Indoor and Outdoor Junction Cable	1.00		