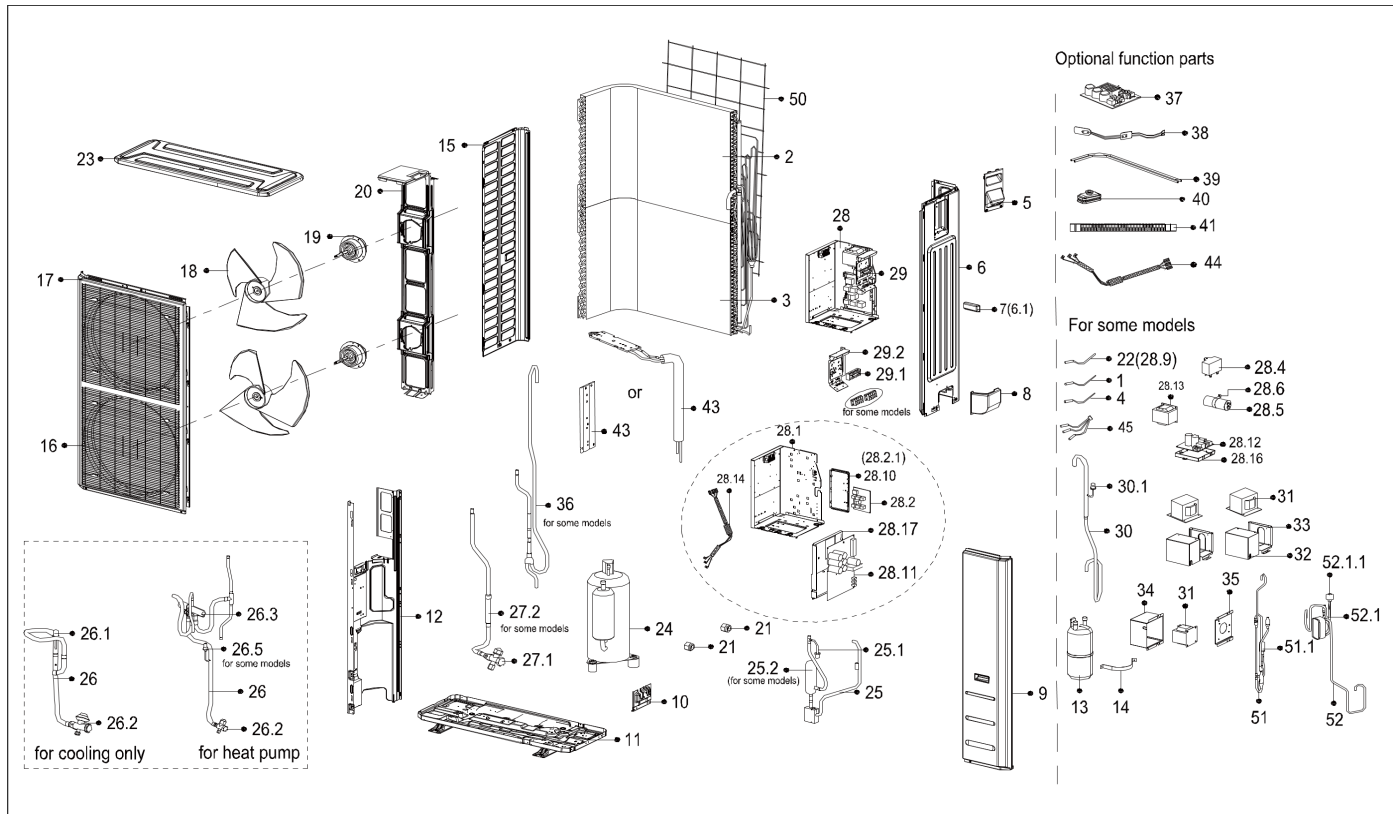


Exploded View

Model CPR48CD(O) (0S4)
Service code: 0S4

ComfortStar®



EX_ID	Spare Parts Code	Part Name(EN)	Qty.	Price	Remarks
1	11201007003425	Room Temperature Sensor	1		
2	15822200001058	Condenser assembly	1		
3	15822200001056	Condenser assembly	1		
4	11201007003439	Pipe Temperature Sensor	1		JSN after*21723xxxxx (always used in J)
	11201007003439				CSN after*22A23xxxxx
	11201007000136				CSN after*22418xxxxx
5	12222000013365	Big handle assembly	1		
6	12222000012373	Rear right clapboard assembly	1		

6.1	12100702000038	handle	1		
8	12122000014023	Water collector	1		
9	12222000006287	Front right clapboard assembly	1		
10	12222200002361	Valve plate	1		
11	12222000006290	Chassis assembly	1		
12	12222000005733	Partition board assembly	1		
13	15500508000009	Liquid-storage tank	1		
15	12222200002363	Left side plate assembly of cabinet	1		
16	12222000014845	Air outlet grille	2		
17	12222000007564	Front panel	1		
18	12100105000022	Axial flow fan	2		
19	11002015009825	Brushless DC Motor	2		
20	12222000006288	Supporter subassembly of fan motor	1		
21	15500406000008	Copper nut	1		JSN after*22314xxxx
	15500406000003				JSN after*21723xxxx
21	15500406000010	Copper nut	1		
22	11201007004043	Discharge Temperature Sensor	1		
23	12222200002359	Top cover assembly	1		
24	11103020002859	DC Inverter Rotary Compressor	1		
25	15122000027660	Discharge pipe assembly	1		
25.1	17400516000851	Pressure switch	1		
26	15422000020455	4-way valve assembly	1		JSN after*22314xxxx
	15422000020532				JSN after*21723xxxx
26.2	15500204000482	Gas valve	1		JSN after*22314xxxx
	15500204000061				JSN after*21723xxxx
26.3	15500216000681	4-way valve	1		
26.5	11201008000773	Pressure sensor	1		
27	15422000021553	Liquid valve assembly	1		JSN after*21B22xxxx
	15422000020533				JSN after*21723xxxx
27.1	15500204000021	Gas valve	1		
28	17222000036521	Electronic control box subassembly	1		
28.1	12222000012372	Installation plate of electric parts subassembly	1		
28.2	17122000053390	Inverter module subassembly	1		

28.10	12122000014342	Electronic installing box	1		
28.11	17122000054313	Outdoor main control board subassembly	1		
28.14	17401203000936	Compressor wire subassembly	1		
28.17	12122000020943	Electronic installing box	1		
29	17222000036520	Terminal board subassembly	1		
29.1	17400401003456	Wire joint	1		
29.2	12222000015266	Terminal instalation subassembly	1		
29.3	17122000056704	Inverter module subassembly	1		
30	15122000028742	Suction pipe assembly	1		
30.1	17400516000850	Pressure switch	1		
38	17402001000602	Crankcase electric heating strip	1		
39	17402002000466	Electric heating tube	1		
43	15122000024994	Radiator subassembly	1		
46	11201007000136	Pipe Temperature Sensor	1		
47	11201007003445	Pipe Temperature Sensor	1		
50	12222000007944	Rear net	1		
51	15422000020454	Electronic expansion valve subassembly	1		
51.1	15500213000245	Electronic expansion valve	1		