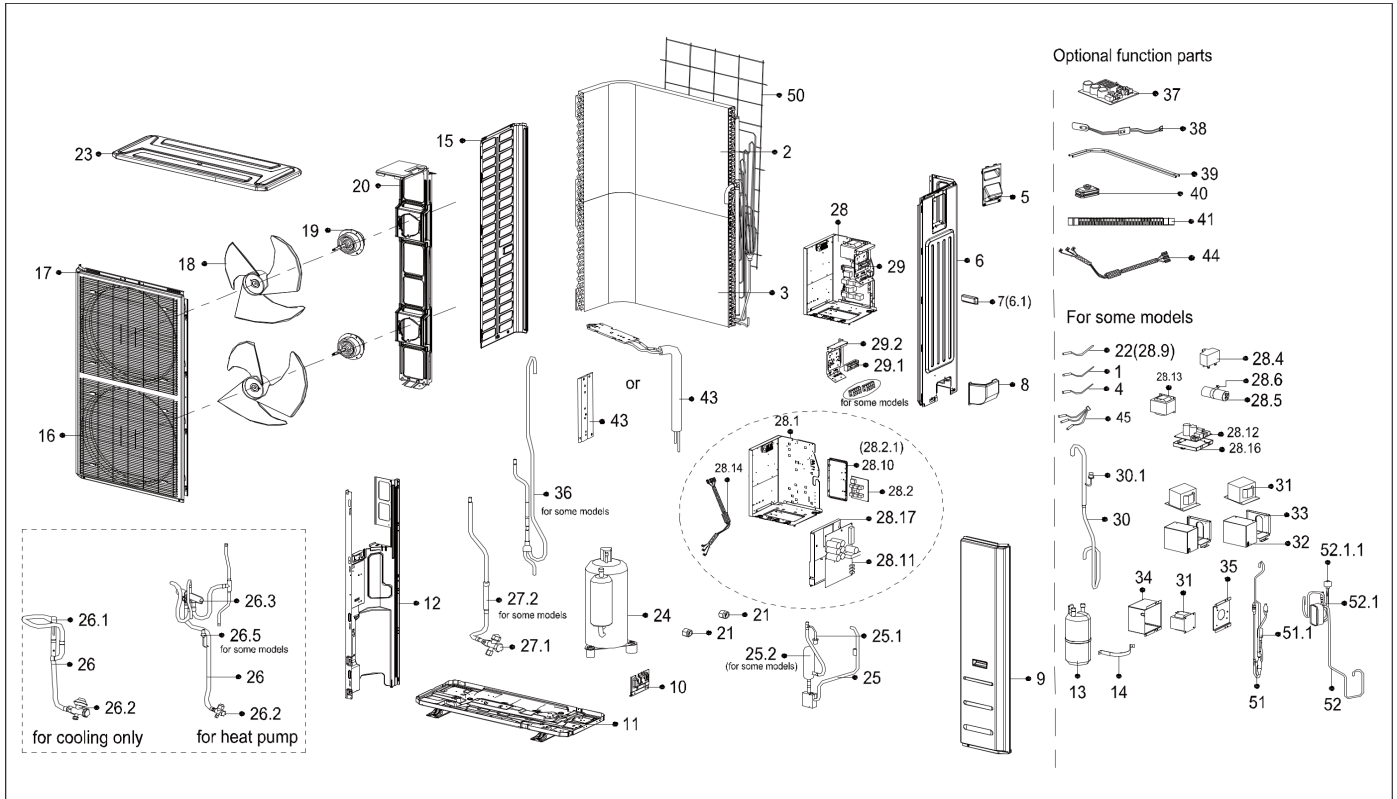


Exploded View

Model CPR60CD(O) (0S5)
Service code: 0S5

ComfortStar®



EX_ID	Spare Parts Code	Part Name(EN)	Qty.	Price	Remarks
1	11201007003425	Room Temperature Sensor	1		
2	15822000008311	Condenser Assembly	1		
3	15822000008313	Condenser Assembly	1		
4	11201007003439	Pipe Temperature Sensor	1		
5	12222000013365	Big handle assembly	1		
6	12222000012373	Rear right clapboard assembly	1		
6.1	12100702000038	handle	1		
8	12122000014023	Water collector	1		
9	12222000006287	Front right clapboard assembly	1		

10	1222200002361	Valve plate	1		
11	12222000006290	Chassis assembly	1		
12	12222000005733	Partition board assembly	1		
13	15500508000009	Liquid-storage tank	1		
15	1222200002363	Left side plate assembly of cabinet	1		
16	12222000014845	Air outlet grille	2		
17	12222000007564	Front panel	1		
18	12100105000022	Axial flow fan	2		
19	11002015009825	Brushless DC Motor	2		
20	12222000006288	Supporter subassembly of fan motor	1		
21	15500406000010	Copper nut	1		
22	11201007004043	Discharge Temperature Sensor	1		
23	1222200002359	Top cover assembly	1		
24	11103020002859	DC Inverter Rotary Compressor	1		
25	15122000027660	Discharge pipe assembly	1		
25.1	17400516000851	Pressure switch	1		
26	15422000022540	4-way valve assembly	1		CSN after*22418xxxxx
	15422000022540				JSN after*22327xxxxx
	15422000020455				JSN after*22321xxxxx
	15422000022540				JSN after*22314xxxxx
	15422000020455				JSN after*21730xxxxx
26.2	15500204000027	Gas valve	1		CSN after*22418xxxxx
	15500204000027				JSN after*22327xxxxx
	15500204000482				JSN after*22321xxxxx
	15500204000027				JSN after*22314xxxxx
	15500204000482				JSN after*21730xxxxx
26.3	15500216000681	4-way valve	1		
26.5	11201008000773	Pressure sensor	1		
27	15422000021553	Liquid valve assembly	1		JSN after*21B22xxxxx
	15422000020453				JSN after*21730xxxxx
27.1	15500204000021	Gas valve	1		
28	17222000036243	Electronic control box subassembly	1		
28.1	12222000012372	Installation plate of electric parts subassembly	1		
28.2	17122000053390	Inverter module subassembly	1		

28.10	12122000014342	Electronic installing box	1		
28.11	17122000054048	Outdoor main control board subassembly	1		
28.14	17401203000936	Compressor wire subassembly	1		
28.17	12122000020943	Electronic installing box	1		
29	17222000036241	Terminal board subassembly	1		
29.1	17400401003456	Wire joint	1		
29.2	12222000015266	Terminal instalation subassembly	1		
29.3	17122000056718	Inverter module subassembly	1		
30	15122000028742	Suction pipe assembly	1		
30.1	17400516000850	Pressure switch	1		
38	17402001000602	Crankcase electric heating strip	1		
39	17402002000466	Electric heating tube	1		
43	15122000024994	Radiator subassembly	1		
46	11201007000136	Pipe Temperature Sensor	1		
46	/	Pipe Temperature Sensor	1		JSN after*23319xxxxx
	/				CSN after*22A24xxxxx
	11201007003439				CSN after*22631xxxxx
	11201007003439	Pipe Temperature Sensor			JSN after*21730xxxxx
47	11201007003445	Pipe Temperature Sensor	1		
50	12222000007944	Rear net	1		
51	15422000020454	Electronic expansion valve subassembly	1		
53	15123000012948	Evaporator connecting pipe subassembly	1		add,CSN after*22930xxxxx
53	15123100000608	Evaporator connecting pipe subassembly	1		add,CSN after*22930xxxxx
51.1	15500213000245	Electronic expansion valve	1		