

SUBMITTAL DATA SHEET



CFU12CD

Location: _____ Engineer: _____ Submitted to: _____ Submitted by: _____ Reference: _____	Approval: _____ Date: _____ Construction: _____ Unit #: _____ Drawing #: _____
--	--

Set Model
 Indoor unit model CFU12CD(I)
 Outdoor unit model CFU12CD(O)

Certified AHRI



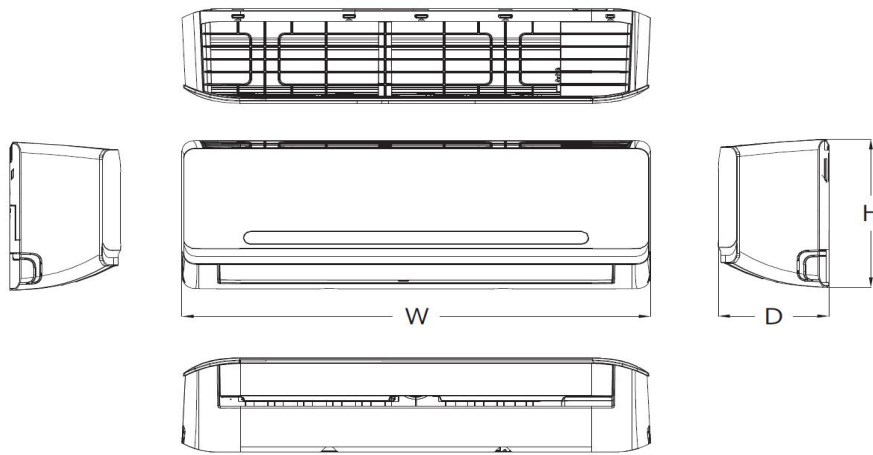
SYSTEM PERFORMANCE DATA			
Power supply	V-Ph-Hz	220_230V_1Ph,	60HZ
Cooling Capacity	Btu/h		12000
Input	W		1490
Current	A		6.8
EER	W/W		2.36
EER2	BUT/W		8.1
AHRI-SEER2	BUT/W		16.0
Rated Power Input	W		1980
Rated Current	A		9.0

INDOOR UNIT DATA			
Indoor fan motor			
Model			YKFG-20-4-10L
Input	W		47.4
Capacitor	uF		1.5
Speed(Hi/Mi/Lo)	r/min		1150/950/750
Indoor air flow (Hi/Mi/Lo)	m3/h		630/500/370
	CFM		370/294/218
Indoor noise level (Hi/Mi/Lo)	dB(A)		41.5/36.0/27.5
Indoor unit Dimension(W*D*H)	mm		805x194x285
	inch		31.7x7.6x11.2
Indoor unit Packing (W*D*H)	mm		870x285x360
	inch		34.25x11.22x14.17
Indoor unit Net/Gross weight	kg		7.1/9.9
	lbs		15.7/21.83

REFRIGERANT PIPE DATA			
Compressor			
Model			KSK103D32UEZ31
Type			ROTARY
Brand			GMCC
Capacity	W		2020/3245 ±3%
Input	W		332/850 ±3%
Rated current(RLA)	A		2.42/5.70 ±3%
Refrigerant oil/oil charge	ml		ESTER OIL VG74 280 ±10
Refrigerant piping			
Liquid side/ Gas side	mm(inch)		6.35mm(1/4in)/9.52mm(3/8in)
Max. refrigerant pipe length	m		25
	inch		984
Max. difference in level	m		10
	inch		394
Connection wiring			16#x4
Operation temperature	°C		17~30
	°F		63~86
Indoor temperature	°C		17~32
	°F		63~90
Outdoor temperature	°C		0~50
	°F		34~122
Application area (Cooling Standar	m ²		16~23
	ft ²		173~247

OUTDOOR UNIT DATA			
Outdoor fan motor			
Model			ZKFN-25-10-5L
Input	W		/
Capacitor	uF		/
Speed	r/min		800/750
Outdoor air flow	m3/h		1800
	CFM		1059
Outdoor noise level	dB(A)		53.5
Outdoor unit Dimension(W*D*H)	mm		720x270x495
	inch		28.3x10.6x19.5
Outdoor unit Packing (W*D*H)	mm		842x357x550
	inch		33.15x14.06x21.65
Outdoor unit Net/Gross weight	kg		19.4/23.1
	lbs		42.8/50.93

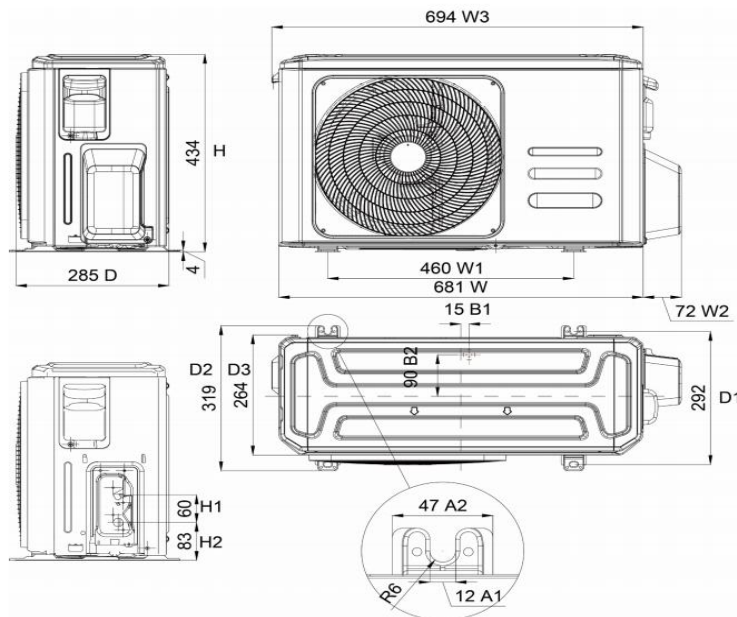
Indoor unit dimension



(The figure is for reference only)

Dimension(Inch)	W	D	H
CFU12CA(I)	31.7	7.6	11.2
CFU12CD(I)	31.7	7.6	11.2
CFU18CD(I)	37.7	8.4	11.9
CFU24CD(I)	40.9	8.7	12.9

Outdoor unit dimension



(The figure is for reference only)

Dimension(Inch)	W	D	H
CFU12CA(O)	28.3	10.6	19.5
CFU12CD(O)	28.3	10.6	19.5
CFU18CD(O)	30.1	11.9	21.9
CFU24CD(O)	31.7	13.0	21.8