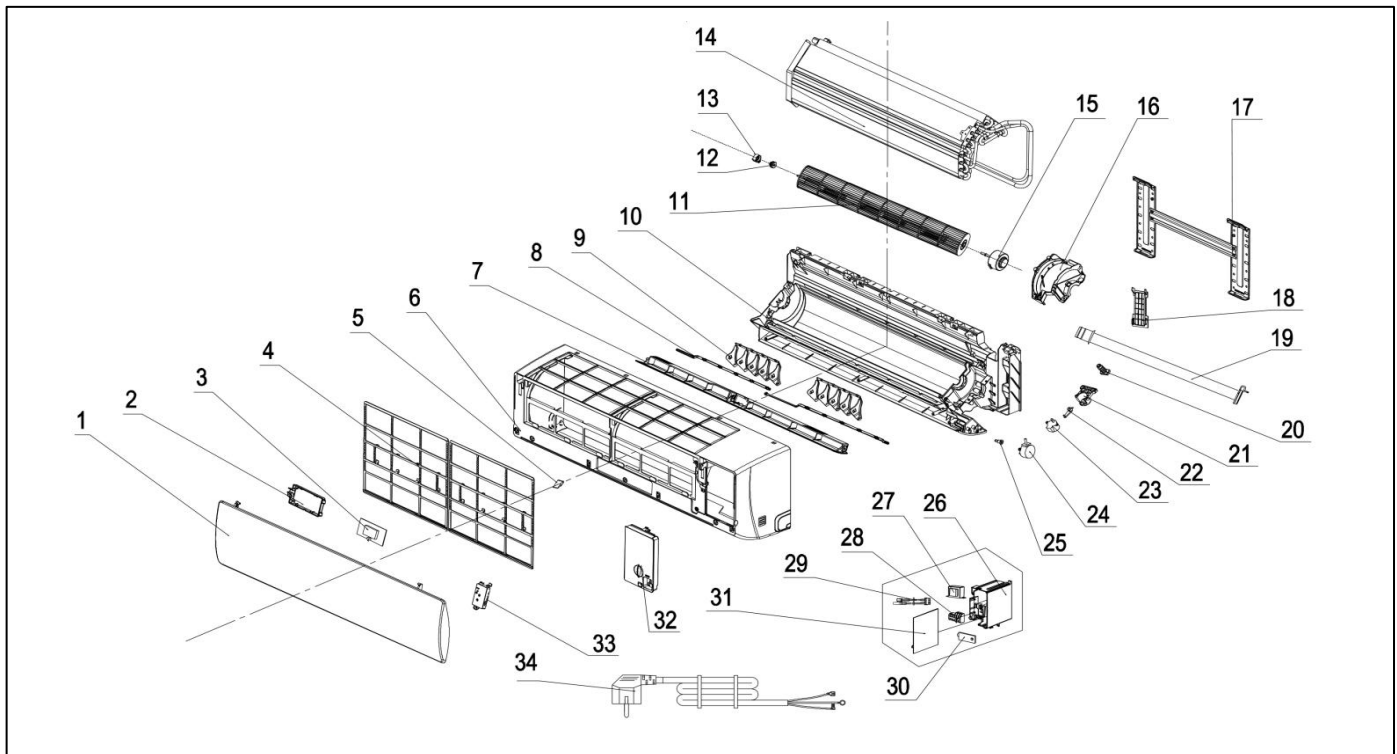


Exploded View

Model CH32-12CD(I) (21M)
Service code: 21M

ComfortStar®



EX_ID	Spare Parts Code	Part Name(EN)	Qty.	Price	Remarks
1	41106-002048	front panel	1		J0401-110074
2	42003-000001	display PCB box	1		
3	31102-000085	Display PCB	1		
4	42008-000037	Air filter	2		
5	41108-000066	Screw cover	1		
6	41106-002371	Face frame assembly	1		
7	41103-000101	Vane assembly	1		
8	41101-000115	Connecting rod 1	1		
	41101-000122	Connecting rod 2	1		
9	41101-000033	Vertical vane	2		

10	41199-002749	Base assembly	1		
11	42004-000210	Cross fan	1		
12	42007-000009	Bearing mount	1		
13	41101-000251	Bearing sleeve	1		
14	92011-008590	evaporator	1		
15	22001-000561	Indoor motor	1		
16	42003-000060	Indoor motor cover	1		
17	41109-000051	installation plate	1		
18	41101-000242	In and out pipe fixer	1		
19	42009-000011	Drainage hose	1		
20	92012-000185	Drain pipe rubber plug	1		
21	42001-000004	Pendulum motor fixed seat	1		
22	41108-000058	crank	1		
23	22001-000318	Step motor	1		
24	22001-000313	Step motor	1		
25	41101-000252	Electric axis	1		
26	41105-000427	Electrical box	1		
27	/	Transformer	1		
28	11304-100063	Terminal	1		
29	10104-100014	Sensor	1		
30	42001-000103	Clamp	1		
31	31101-002543	Main PCB	1		
32	41211-000077	Electrical box cover	1		
33	/	WIFI module	1		
34	22007-000111	Power supply cord	1		
35	A2006-000052	Packing foam	1		Not shown in the Explosion view.
36	A2006-000032	Packing foam	1		
37	G0401-110065	remote control	1		
38	22007-001473	Indoor and outdoor connection line	1		
39	42001-000014	Remote control supporter	1		