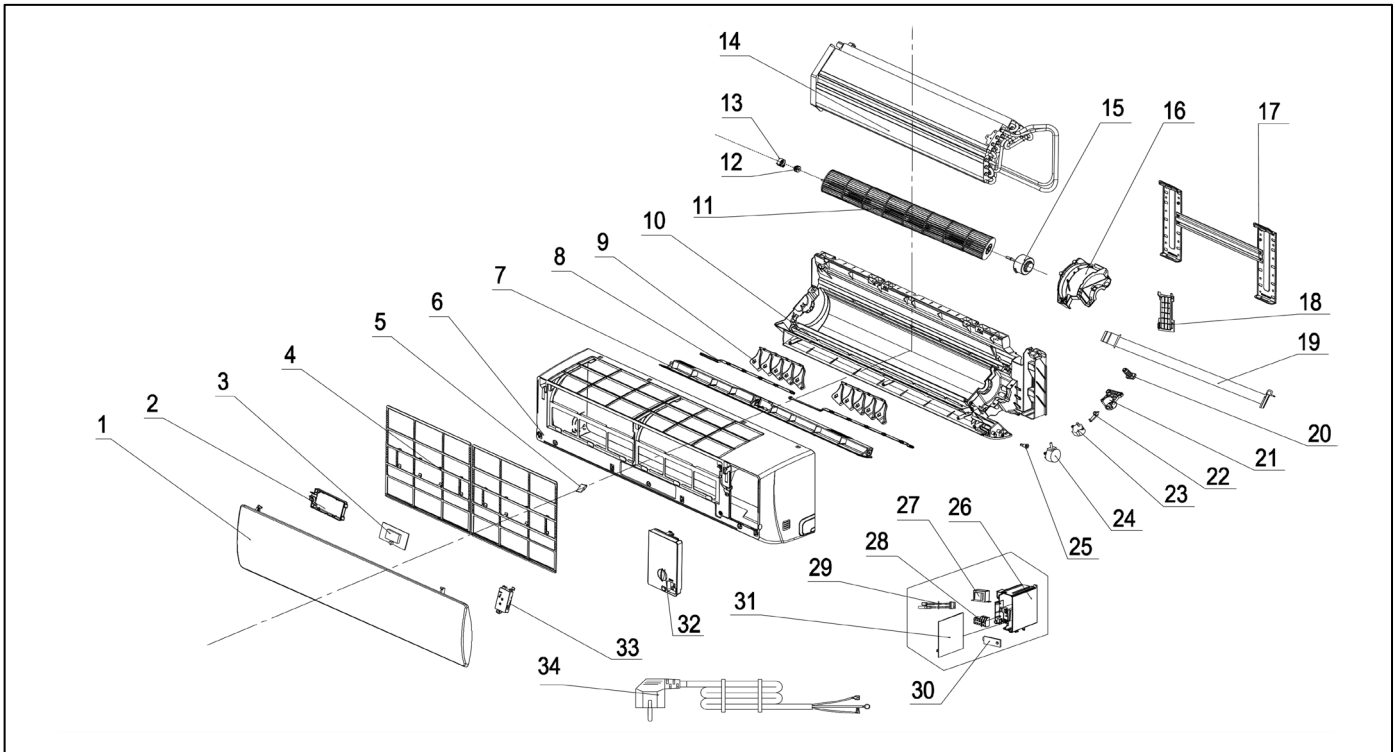


Exploded View

Model CH32-24CD(I) (21R)

ComfortStar®

Service code: 21R



EX_ID	Spare Parts Code	Part Name(EN)	Qty.	Price	Remarks
1	41106-002088	indoor panel assembly	1		J0401-110074
2	42003-000001	display PCB box	1		
3	31102-000085	Display PCB	1		
4	42008-000001	air filter	2		
5	41108-000066	screw cover	2		
6	41106-002351	Face Frame Assembly	1		
7	41103-000484	Vane assembly	1		
8	41507-000076	Swept connecting rod	1		
9	41101-000042	vertical vane	3		
10	41102-000669	Base assembly	1		

11	42004-000002	Cross Fan	1		
12	42007-000009	Bearing mount	1		
13	41101-000251	Bearing sleeve	1		
14	92011-002991	evaporator	1		
15	22001-000240	Indoor Motor	1		
16	42003-000045	indoor motor cover	1		
17	41109-000019	installation plate	1		
18	41101-000224	In and out pipe fixer	1		
19	42009-000011	Drainage hose	1		
20	92012-000185	Drain pipe rubber plug	1		
21	42001-000004	Pendulum motor fixed seat	1		
22	41108-000058	Crank	1		
23	22001-000640	Step Motor	1		
24	22001-000321	Step motor	1		
25	41101-000252	electric axis	1		
26	41105-000427	Electrical box	1		
27	/	Transformer	1		
28	11304-100063	Terminal	1		
29	10104-100014	Sensor	1		
30	42001-000103	Clamp	1		
31	31101-002525	main pcb of wall-mounting unit	1		
32	41211-000079	Electrical Box Cover	1		
33	/	WIFI module	1		
34	/	Power supply cord	1		
35	G0401-110065	remote control	1		Not shown in the Explosion view.
36	A2006-000060	Packing foam	1		
37	A2006-000059	Packing foam	1		
38	22007-001473	indoor and outdoor connection cord	1		
39	42001-000014	Remote control supporter	1		