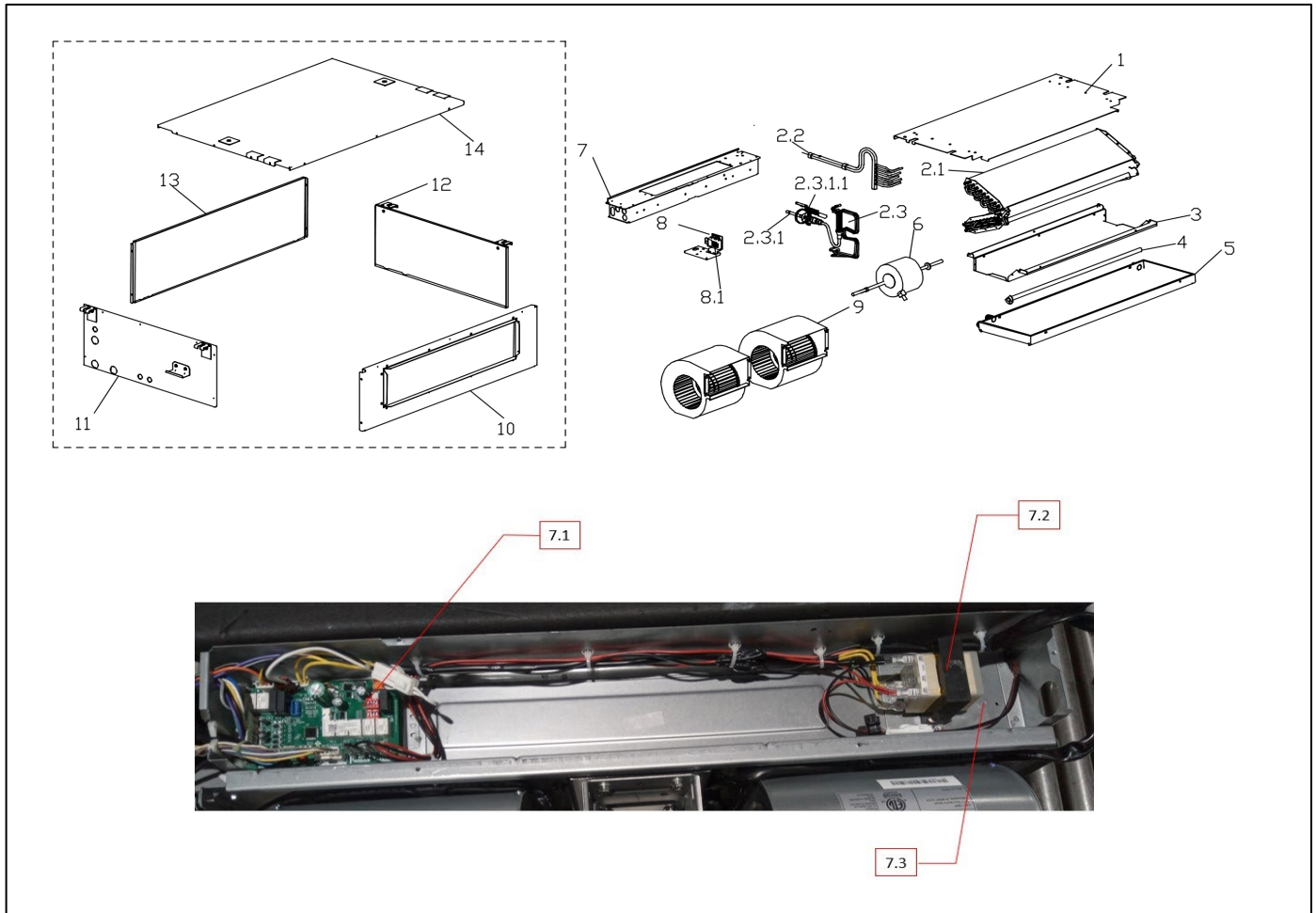


# Exploded View

**Model** CHX7-24EU-15

**ComfortStar®**



EX_ID	Spare Parts Code	Part Name(EN)	Qty.	Price	Remarks
1	12223000017871	Top cover assembly	1		
2	15823000007385	Evaporator assembly	1		
2.1	15823000007387	Evaporator	2		
2.2	15223000000545	Evaporator output pipe assembly	1		
2.3	15423000006178	Evaporator input pipe assembly	1		
2.3.1	15423000006181	Expansion valve ass'y	1		

2.3.1.1	15500213002750	thermostatic expansion valve	1		
3	12223000007087	Water Deflector Plate Assembly	1		
4	12923000000984	Refrigerant Detection Tube	1		
5	12223000017869	Drainage pan assembly	1		
6	11002015020034	Brushless DC Motor	1		
7	17223000011143	E-box ass'y	1		
7.1	17123000012025	Indoor unit main control board	1		
7.2	11203103002859	Linear Transformer	1		
7.3	11201708000008	Terminal	1		
8	17427300003810	Sensor Assembly	1		
8.1	11201003000424	Gas sensor	1		
9	12200102000013	Centrifugal Fan	2		