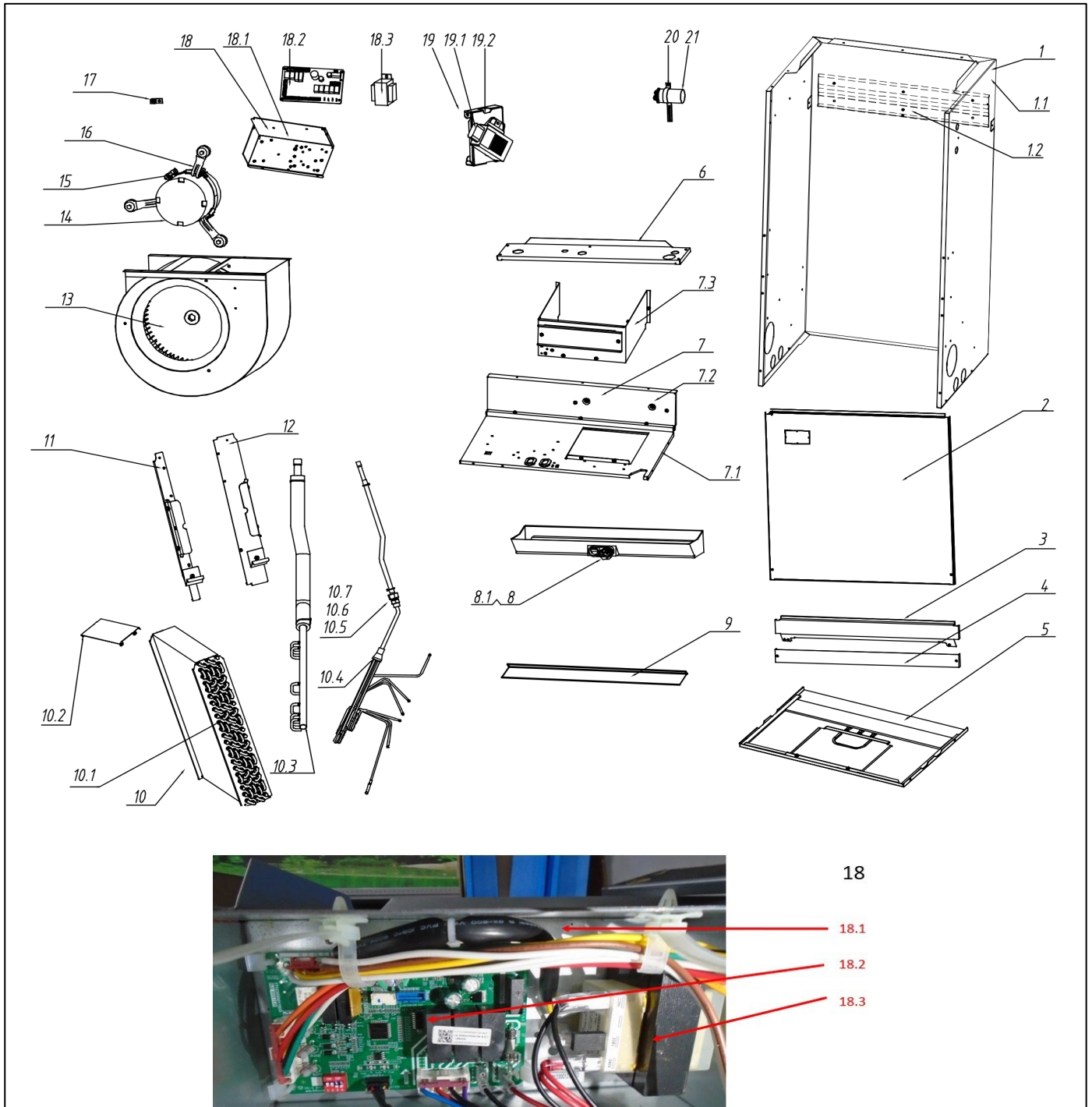


# Exploded View

Model

CWM7-18P-15

ComfortStar®





EX_ID	Spare Parts Code	Part Name(EN)	Qty.	Price	Remarks
1	12223000002377	Chassis Assembly	1		
1.1	12223000002363	Chassis components	1		
1.2	12223000006387	Support Bar	2		
2	12223000010536	Side Panel Assembly	1		
3	12223000010529	Evaporator Connecting Plate Assembly	1		
4	12223000002181	Support Bar Assembly	1		
5	12223000017738	Side panel assembly	1		
6	12223000017737	Side panel assembly	1		
7	12223000002126	Air Duct Assembly	1		
7.1	12223000002333	Wind wheel fixed plate	1		
7.2	12223000001960	Air duct damper	1		
7.3	12223000002111	Blockoff Plate	1		
7.4	12223000001965	Duct under the baffle	1		
8	12123000001080	Drain Pan Assembly	1		
8.1	15500402000023	Seal Plug	1		
9	12223000002118	Drain Pan	1		
10	15823000007266	Evaporator assembly	1		
10.1	15823000A03997	Evaporator	1		
10.2	12223000005759	Evaporator Baffler	1		
10.3	15223000000126	Evaporator output pipe assembly	1		
10.4	15223000A00001	Distributary ass'y	1		
10.5	15423000006003	Evaporator input pipe assembly	1		
10.6	12100901000010	Seal Ring	1		
10.7	15500220000229	Valve plug	1		
11	12223000010535	Evaporator Connecting Plate Assembly	1		
12	12223000010527	Evaporator Connecting Plate Assembly	1		
13	12200101000021	Wind Turbine Parts	1		
14	11002012044880	Single Phase Asynchronous Motor	1		

15	12223000001992	Motor Holder	1		
16	12223000001934	Motor Holder Assembly	3		
17	11201708000008	Terminal	1		
18	17223000010925	E-part box ass'y	1		
18.1	12223000014910	Electrical Installation plate	1		
18.2	17123000012042	Indoor unit main control board	1		
18.3	11203103002859	Linear Transformer	1		
19	17223000010923	Refrigerant Sensor	1		
19.1	12223000017718	Fixing board	1		
19.2	11201003000424	Gas sensor	1		
20	17400103000152	Compressor Capacitor	1		
21	12223000002177	Clamp	1		

\_\_\_\_\_

|