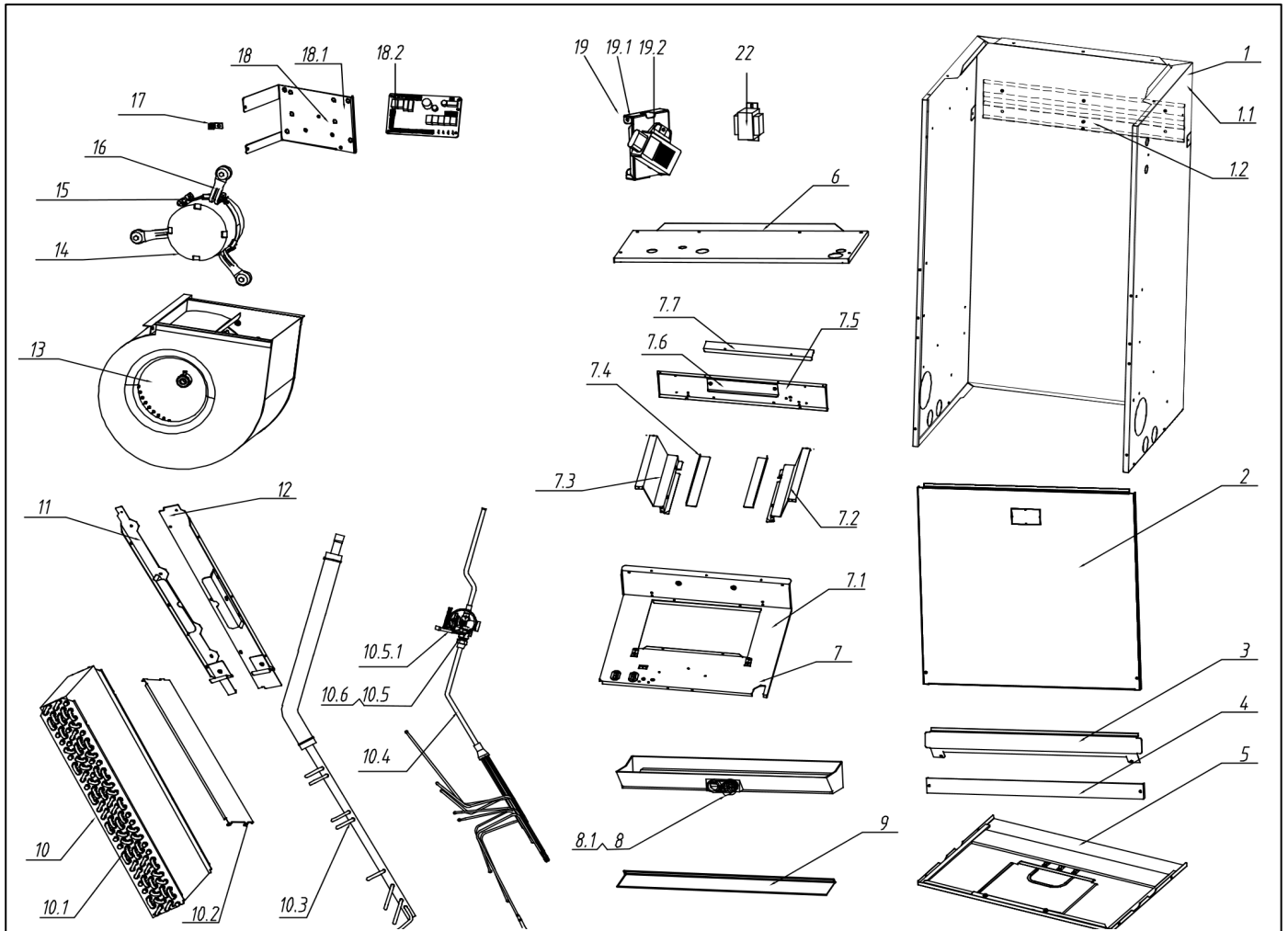


Exploded View

Model

CWM7-36E-15

ComfortStar®



18

18.1

18.2



EX_ID	Spare Parts Code	Part Name(EN)	Qty.	Price	Remarks
1	12223000002376	Chassis Assembly	1		
1.1	12223000002362	Base ass'y	1		
1.2	12223000006387	Support Bar	2		
2	12223000010532	Side Panel Assembly	1		
3	12223000010530	Evaporator Connecting Plate Assembly	1		
4	12223000002182	Support Bar Assembly	1		
5	12223000017736	Side panel assembly	1		
6	12223000017735	Side panel assembly	1		
7	12223000004067	Air Duct Assembly	1		
7.1	12223000002411	Fixing board	1		
7.2	12223000002239	Left board	1		
7.3	12223000002242	Right board	1		
7.4	12223000002006	Side board	2		
7.5	12223000002246	Duct under the baffle	1		
7.6	12223000002111	Blockoff Plate	1		
7.7	12223000002413	Support board	1		
8	12123000001081	Drain Pan Assembly	1		
8.1	15500402000023	Seal Plug	1		
9	12223000002113	Mounting Plate	1		
10	15823000007265	Evaporator assembly	1		
10.1	15823000004349	Evaporator	1		
10.2	12223000005758	Evaporator windshield plate ass'y	1		
10.3	15223000000128	Evaporator output pipe assembly	1		
10.4	15223000000129	Distributary ass'y	1		
10.5	15423000006000	Expansion valve ass'y	1		
10.5.1	15500213002650	Thermal expansion valve	1		
10.6	12100901000010	Seal Ring	1		
11	12223000010531	Evaporator Connecting Plate Assembly	1		

12	12223000010534	Evaporator Connecting Plate Assembly	1		
13	12200102000003	Centrifuge Fan	1		
14	11002015020035	Brushless DC Motor	1		
15	12223000001992	Motor Holder	1		
16	12223000001932	Motor Holder Assembly	3		
17	11201708000008	Terminal	1		
18	17223000010924	E-part box ass'y	1		
18.1	12223000005779	Electric installation board	1		
18.2	17123000012025	Indoor unit main control board	1		
19	17223000010923	Refrigerant Sensor	1		
19.1	12223000017718	Fixing board	1		
19.2	11201003000424	Gas sensor	1		
20	11203103002859	Linear Transformer	1		

|