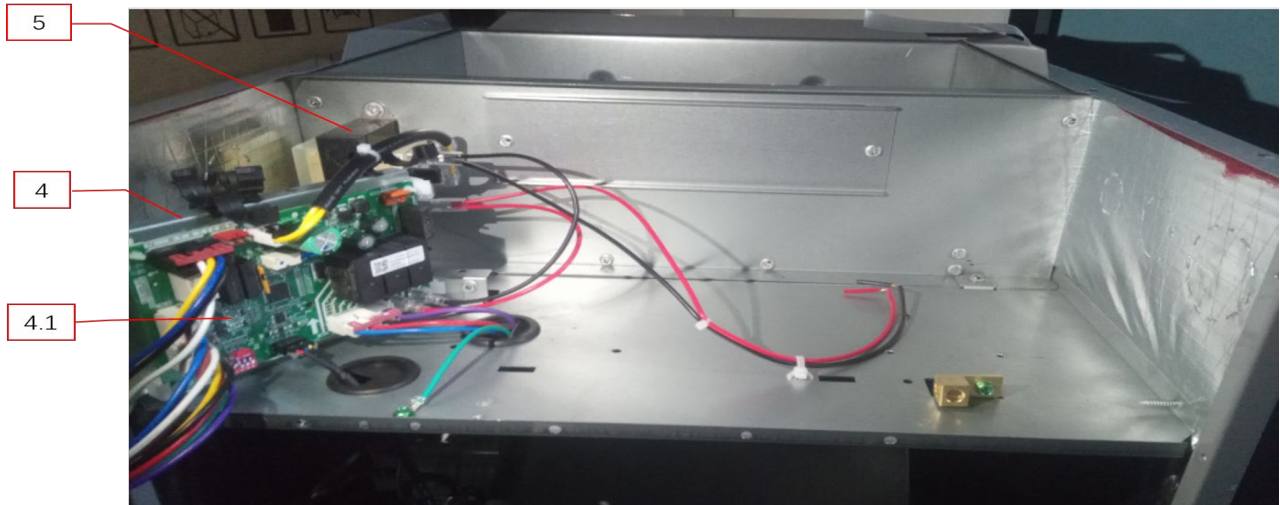
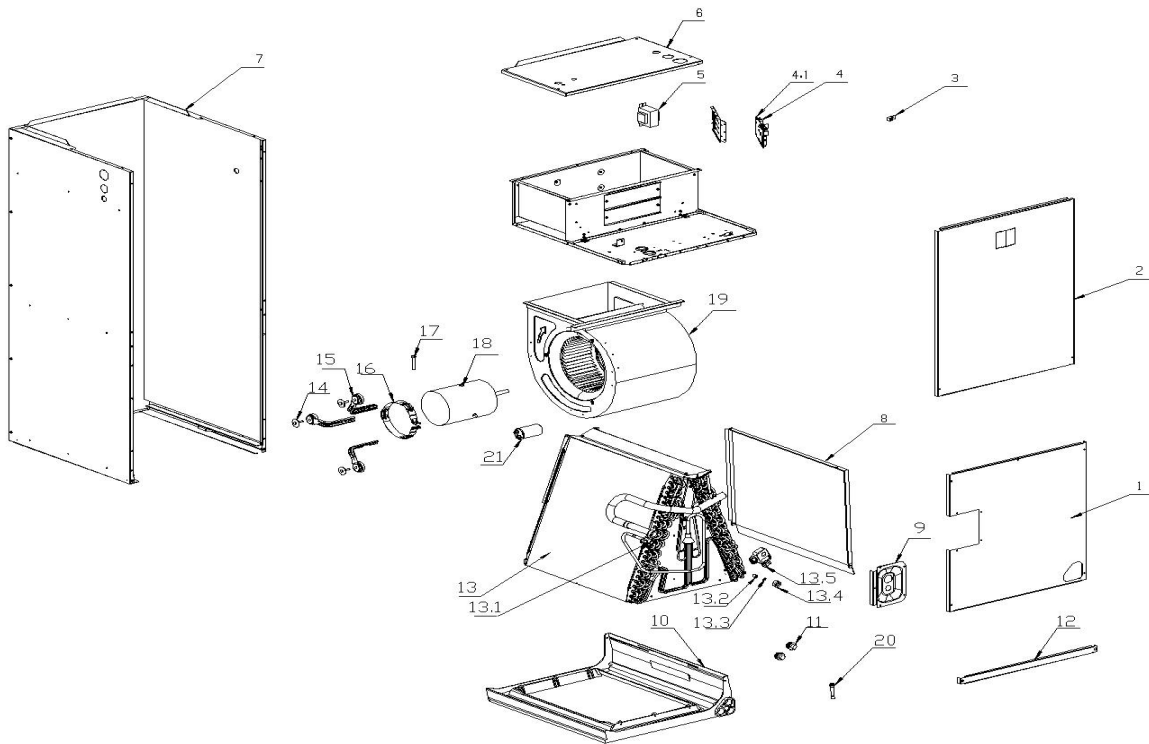


# Exploded View

Model LCM7-24-15

ComfortStar®



| <b>EX_ID</b> | <b>Spare Parts Code</b> | <b>Part Name(EN)</b>               | <b>Qty.</b> | <b>Price</b> | <b>Remarks</b> |
|--------------|-------------------------|------------------------------------|-------------|--------------|----------------|
| 3            | 11201708000008          | Terminal                           | 1           |              |                |
| 4            | 17223000A08148          | E-part box assembly                | 1           |              |                |
| 4.1          | 17123000012124          | Indoor unit main control board     | 1           |              |                |
| 5            | 11203103002859          | Linear Transformer                 | 1           |              |                |
| 8            | 12223000A04795          | Drain Pan                          | 1           |              |                |
| 10           | 12123000003580          | Drain pan ass'y                    | 1           |              |                |
| 11           | 15500402000023          | Seal Plug                          | 2           |              |                |
| 13           | 15823000A05038          | Evaporator assembly                | 1           |              |                |
| 13.1         | 15500210000968          | throttle valve                     | 1           |              |                |
| 13.2         | 15500220000030          | spool                              | 1           |              |                |
| 13.3         | 12100901000010          | Seal Ring                          | 3           |              |                |
| 13.4         | 15500402000107          | nut                                | 1           |              |                |
| 13.5         | 11201003000424          | Gas sensor                         | 1           |              |                |
| 14           | 11300903000781          | Hexagon Head Bolt and Plain Washer | 3           |              |                |
| 15           | 12223000017580          | Motor holder assembly              | 3           |              |                |
| 16           | 12223000001992          | Motor Holder                       | 1           |              |                |
| 17           | 11301705000106          | Hexagon Head Bolt                  | 1           |              |                |
| 18           | 11002015020316          | Brushless DC Motor                 | 1           |              |                |
| 19           | 12200101000018          | Fan Assembly                       | 1           |              |                |