

# Submittal

TAG: \_\_\_\_\_

PRODUCT NAME \_\_\_\_\_  
LOCATION \_\_\_\_\_  
ARCHITECT \_\_\_\_\_  
ENGINEER \_\_\_\_\_  
CONTRACTOR \_\_\_\_\_  
SUBMITTED BY \_\_\_\_\_ DATA \_\_\_\_\_

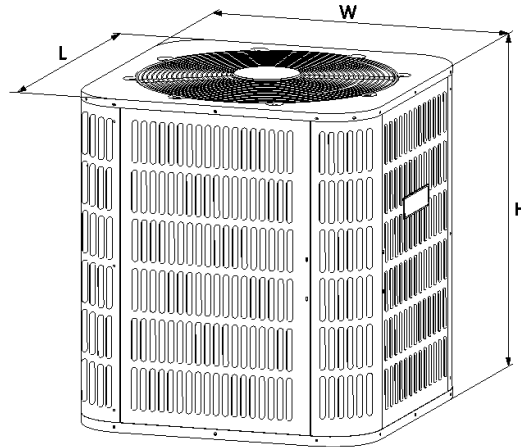
## UNIT SUMMARY

Quantity						
Unit Designation						
Model No.						
Cooling Input						
Cooling Output						
Heating Input						
Heating Output						
CFM/ESP						
COP/HSPF						
Electrical						
Minimum Ampacity						
Max Overcurrent Protection						
Net Unit Weight						
Accessory						
Catalog Form Number						

### ACCESSORIES

### NOTES

**Condensing Unit**  
**BAH7 Series Heat Pump**  
**Up to 15.2 SEER2**  
**Cooling capacity: 24 kBTU/h**



Model Size	Unit Width "W" in. [mm]	Unit Height "H" in. [mm]	Unit Length "L" in. [mm]	Packing (W*H*D) in. [mm]	Unit Weight (lbs.[kg])
18	23-5/8 [600]	24-15/16 [633]	23-5/8 [600]	24-7/10 × 26-1/4 × 24-7/10 [628 × 652 × 628]	137 [62]
24	28 [710]	24-15/16 [633]	28 [710]	29 × 26-1/4 × 29 [738 × 667 × 738]	149 [68]
30	28 [710]	24-15/16 [633]	28 [710]	29 × 26-1/4 × 29 [738 × 667 × 738]	149 [68]
36	29-1/8 [740]	24-15/16 [633]	29-1/8 [740]	30-1/5 × 26-1/4 × 30-1/5 [768 × 667 × 768]	165 [75]
42	28 [710]	33-3/16 [843]	28 [710]	29 × 34-1/2 × 29 [738 × 877 × 738]	181 [82]
48	28 [710]	33-3/16 [843]	28 [710]	29 × 34-1/2 × 29 [738 × 877 × 738]	197 [89]
60	29-1/8 [740]	33-3/16 [843]	29-1/8 [740]	30-1/5 × 34-1/2 × 30-1/5 [768 × 877 × 768]	208 [94]
61	29-1/8 [740]	33-3/16 [843]	29-1/8 [740]	30-1/5 × 34-1/2 × 30-1/5 [768 × 877 × 768]	213 [97]

# Specifications

	<b>BAH7-24-15</b>
<b>NOMINAL CAPACITY</b>	
Cooling (BTU/h)	23,000
Heating (BTU/h)	22,800
<b>ELECTRICAL DATA</b>	
Voltage / Phase (60 Hz)	208/230V-1Ph
Min. / Max. Voltage (V)	187/253
Min. Circuit Amps (MCA) (A)	14.7
Max. Overcurrent Protection (MOP) (A)	25.4
<b>COMPRESSOR</b>	
Type	Scroll
Stage	Single
Rated Load Amps (RLA) (A)	10.7
Locked Rotor Amps (LRA) (A)	59
Crankcase Heater	Yes
<b>CONDENSER COIL</b>	
Type	Tube & Fin
Tube Size (O.D) (in.)	9/32
<b>FAN MOTOR</b>	
Motor Type	ECM
Capacitor (uF)	/
Horsepower (HP)	1/6
Full Load Amps (FLA) (A)	1.3
<b>REFRIGERATION SYSTEM</b>	
Liquid Valve Size (O.D.) (in.)	3/8
Suction Valve Size (O.D.) (in.)	3/4
Liquid Line Size ("O.D.) (in.)	3/8
Suction Line Size ("O.D.) (in.)	3/4
Refrigerant Charge (lbs. - oz.)	5 lbs. 13 OZ.
<b>SOUND POWER (dB(A))</b>	75
<b>OPERATION RANGE</b>	
Cooling (°C)	12.7~48.9
Cooling (°F)	55~120
Heating (°C)	-15~30
Heating (°F)	5~86



---

**Standard Features:**

- Eco-friendly R454B refrigerant with low GWP value.
- Energy-efficient compressor.
- Equipped with thermal overload protection.
- High quality condenser with inner-groove copper tube and aluminum fin.
- Service valves with sweat connections and easy-access gauge ports.
- Factory-installed high-pressure switch.
- AHRI certified and ETL listed.
- Filter drier included as accessory.

**Cabinet Features:**

- Compact design allows for ease of installation, clearance, durability, and maneuverability.
  - Powder-painted galvanized steel cabinet chassis.
  - Protective steel louvered coil guard.
  - Steel wire axial fan guard
  - ECM fan motor and unique blade style allowing for smooth discharge air and quieter operation.
- 

**ComfortStar®**

Add.: 12201 N W 107th Avenue Miami, FL 33178

1.866.524.9898 Toll Free

305.500.9898 Office

305.500.9896 Fax document.

<http://www.comfortstarusa.com>