

Submittal

TAG: _____

PRODUCT NAME _____
LOCATION _____
ARCHITECT _____
ENGINEER _____
CONTRACTOR _____
SUBMITTED BY _____ DATA _____

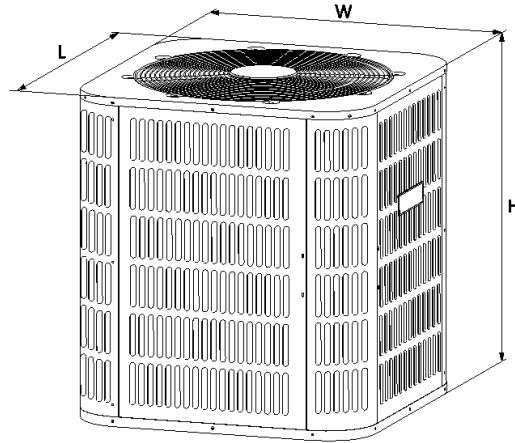
UNIT SUMMARY

Quantity						
Unit Designation						
Model No.						
Cooling Input						
Cooling Output						
Heating Input						
Heating Output						
CFM/ESP						
COP/HSPF						
Electrical						
Minimum Ampacity						
Max Overcurrent Protection						
Net Unit Weight						
Accessory						
Catalog Form Number						

ACCESSORIES

NOTES

Condensing Unit
BAH7 Series Heat Pump
Up to 15.2 SEER2
Cooling capacity: 36 kBTU/h



Model Size	Unit Width "W" in. [mm]	Unit Height "H" in. [mm]	Unit Length "L" in. [mm]	Packing (W*H*D) in. [mm]	Unit Weight (lbs.[kg])
18	23-5/8 [600]	24-15/16 [633]	23-5/8 [600]	24-7/10 × 26-1/4 × 24-7/10 [628 × 652 × 628]	137 [62]
24	28 [710]	24-15/16 [633]	28 [710]	29 × 26-1/4 × 29 [738 × 667 × 738]	149 [68]
30	28 [710]	24-15/16 [633]	28 [710]	29 × 26-1/4 × 29 [738 × 667 × 738]	149 [68]
36	29-1/8 [740]	24-15/16 [633]	29-1/8 [740]	30-1/5 × 26-1/4 × 30-1/5 [768 × 667 × 768]	165 [75]
42	28 [710]	33-3/16 [843]	28 [710]	29 × 34-1/2 × 29 [738 × 877 × 738]	181 [82]
48	28 [710]	33-3/16 [843]	28 [710]	29 × 34-1/2 × 29 [738 × 877 × 738]	197 [89]
60	29-1/8 [740]	33-3/16 [843]	29-1/8 [740]	30-1/5 × 34-1/2 × 30-1/5 [768 × 877 × 768]	208 [94]
61	29-1/8 [740]	33-3/16 [843]	29-1/8 [740]	30-1/5 × 34-1/2 × 30-1/5 [768 × 877 × 768]	213 [97]

Specifications

	BAH7-36-15
NOMINAL CAPACITY	
Cooling (BTU/h)	34,200
Heating (BTU/h)	34,200
ELECTRICAL DATA	
Voltage / Phase (60 Hz)	208/230V-1Ph
Min. / Max. Voltage (V)	187/253
Min. Circuit Amps (MCA) (A)	21.5
Max. Overcurrent Protection (MOP) (A)	37.5
COMPRESSOR	
Type	Scroll
Stage	Single
Rated Load Amps (RLA) (A)	16
Locked Rotor Amps (LRA) (A)	86
Crankcase Heater	Yes
CONDENSER COIL	
Type	Tube & Fin
Tube Size (O.D) (in.)	3/16
FAN MOTOR	
Motor Type	ECM
Capacitor (uF)	/
Horsepower (HP)	1/3
Full Load Amps (FLA) (A)	1.5
REFRIGERATION SYSTEM	
Liquid Valve Size (O.D.) (in.)	3/8
Suction Valve Size (O.D.) (in.)	3/4
Liquid Line Size ("O.D.) (in.)	3/8
Suction Line Size ("O.D.) (in.)	3/4
Refrigerant Charge (lbs. - oz.)	5 lbs. 9 OZ.
SOUND POWER (dB(A))	77
OPERATION RANGE	
Cooling (°C)	12.7~48.9
Cooling (°F)	55~120
Heating (°C)	-15~30
Heating (°F)	5~86

Standard Features:

- Eco-friendly R454B refrigerant with low GWP value.
- Energy-efficient compressor.
- Equipped with thermal overload protection.
- High quality condenser with inner-groove copper tube and aluminum fin.
- Service valves with sweat connections and easy-access gauge ports.
- Factory-installed high-pressure switch.
- AHRI certified and ETL listed.
- Filter drier included as accessory.

Cabinet Features:

- Compact design allows for ease of installation, clearance, durability, and maneuverability.
 - Powder-painted galvanized steel cabinet chassis.
 - Protective steel louvered coil guard.
 - Steel wire axial fan guard
 - ECM fan motor and unique blade style allowing for smooth discharge air and quieter operation.
-

ComfortStar®

Add.: 12201 N W 107th Avenue Miami, FL 33178

1.866.524.9898 Toll Free

305.500.9898 Office

305.500.9896 Fax document.

<http://www.comfortstarusa.com>