

ComfortStar®

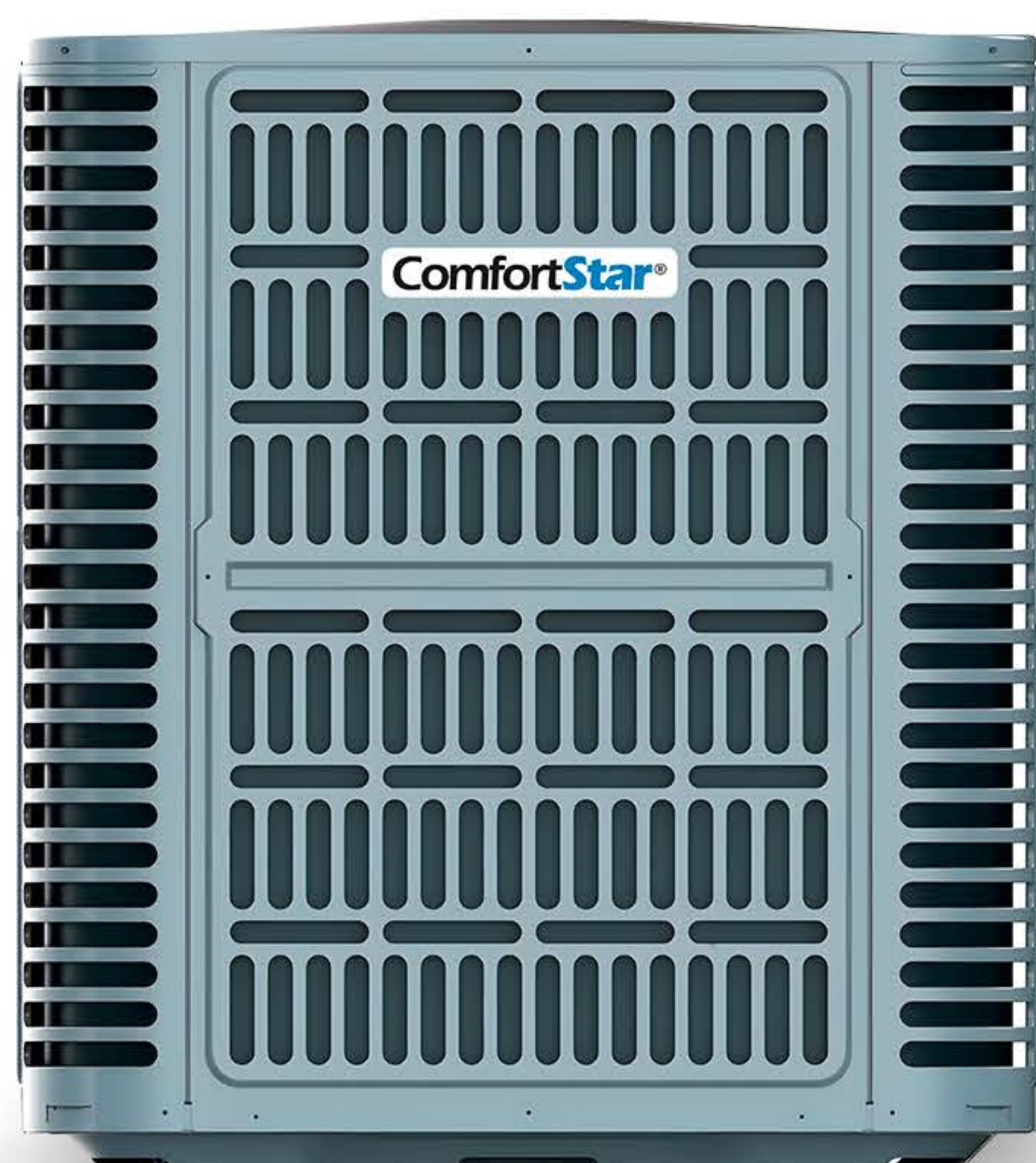
Air Conditioning & Heating Products

BAR6 & BAH6 SERIES

1.5 UP TO 5 TONS

R454B

**UP TO
14.3 SEER2**



**10 YEARS
WARRANTY
PARTS**

**10 YEARS
WARRANTY
COMPRESSOR**

AHRI CERTIFIED™
www.ahridirectory.org



Comfort, it's in our name.

12201 N.W. 107th Avenue | Medley, FL 33178

Toll Free: 1-866-524-9898 | **Phone:** 1-305-500-9898 | **Fax:** 1-305-500-9896

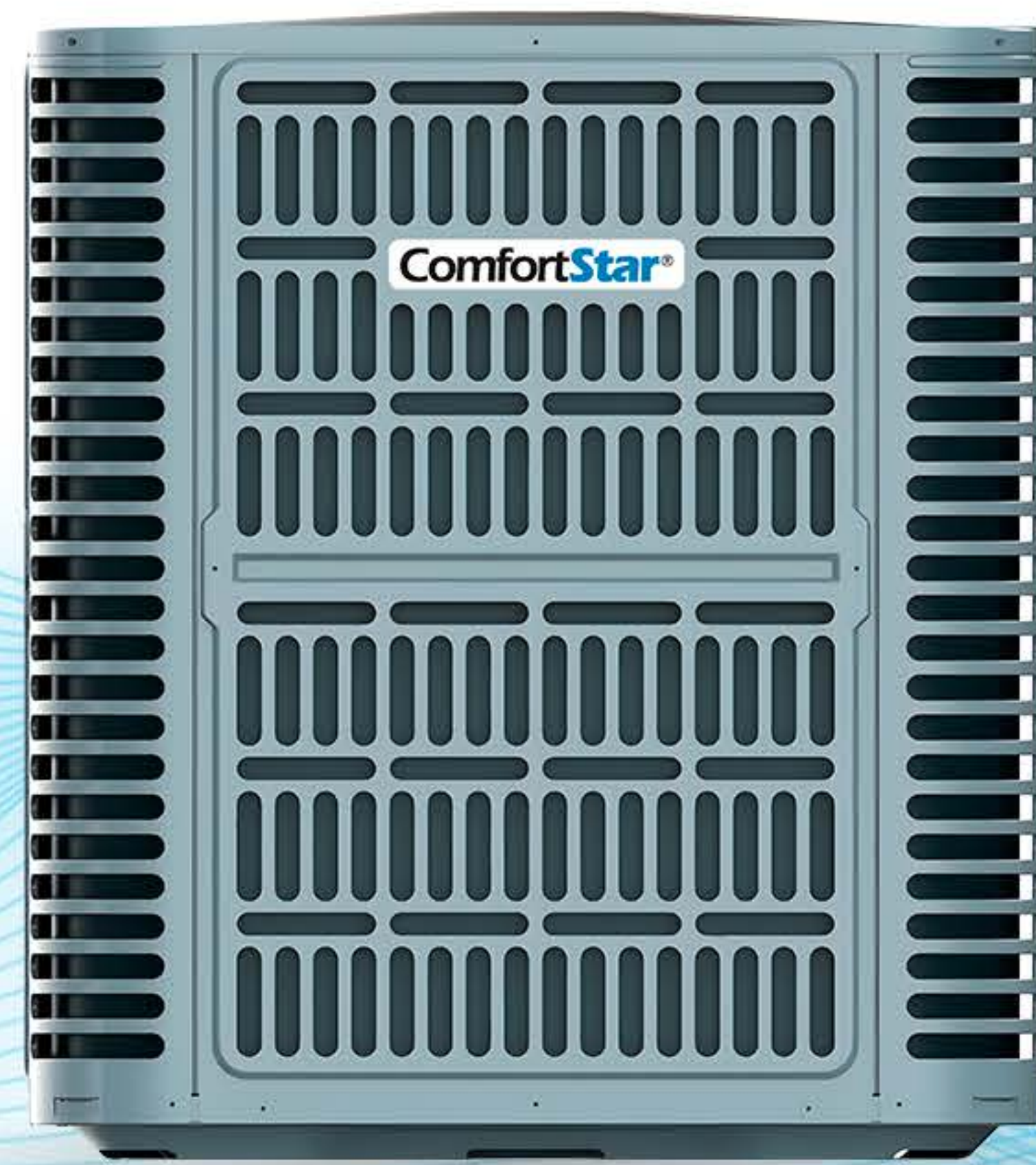
www.comfortstarusa.com

BAR6 & BAH6 SERIES

TOP DISCHARGE
CONDENSING UNIT
1.5 TONS UP TO 5 TONS



BAR6 & BAH6 Series Top Discharge Condenser Unit



R454B

UP TO 14.3 SEER2



CWM6 Series
Wall Mount Fan Coil



LUC6 Series
Air Handler

FEATURES:

- Low pressure protection
- High pressure protection
- Cooling range: 53°F~120°F
- Heating range: 5°F~80°F
- 5 Speed Dc Fan Motor
- High efficiency condenser with inner groove copper tube and aluminum fin.
- High Efficiency scroll compressor
- R454b environmentally friendly refrigerant.
- Powder painted galvanized steel cabinet.

BAR6 & BAH6 SERIES

TOP DISCHARGE CONDENSING UNIT



**1.5 TONS UP TO 5 TONS
18,000 - 60,000 BTU**

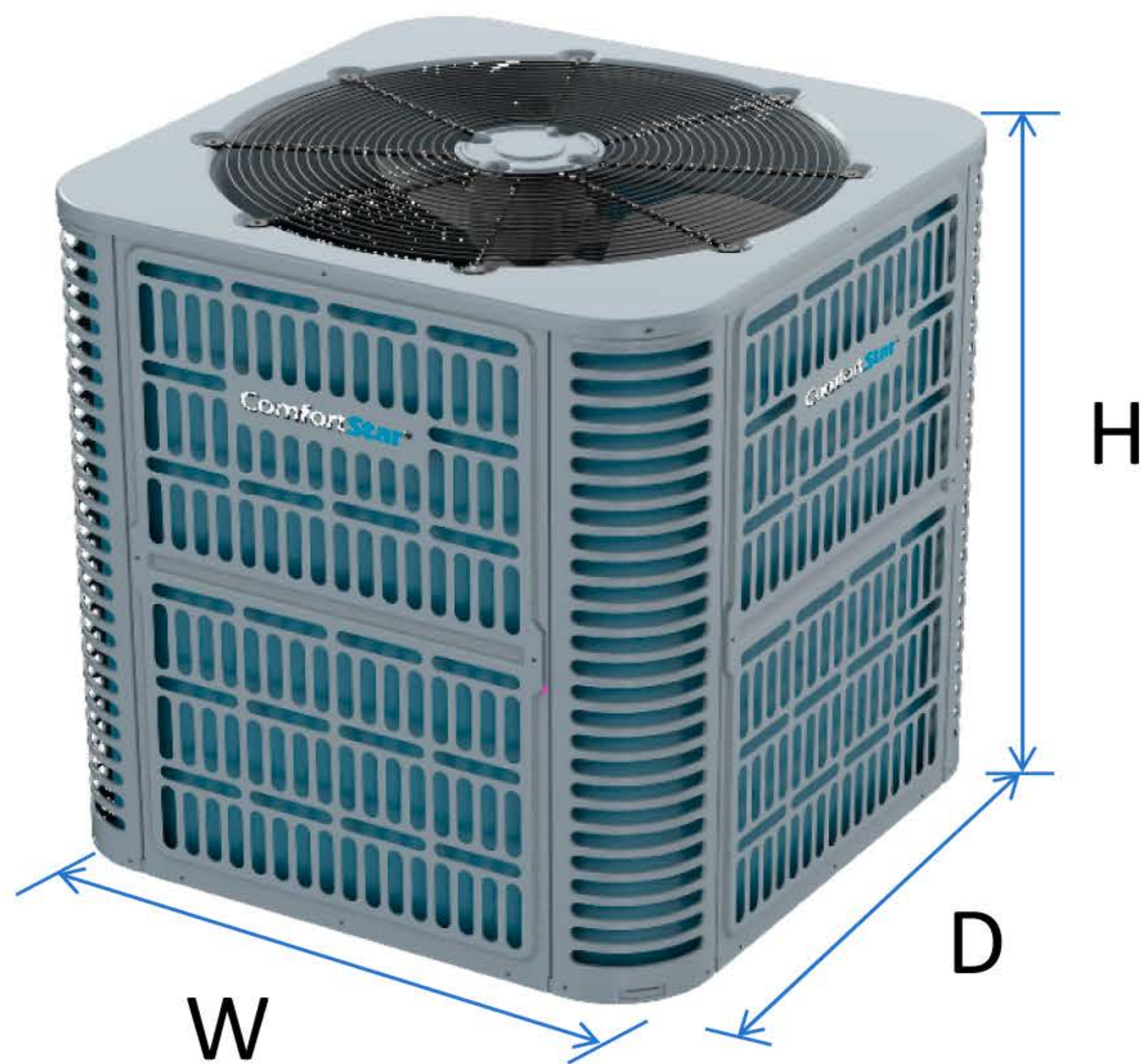
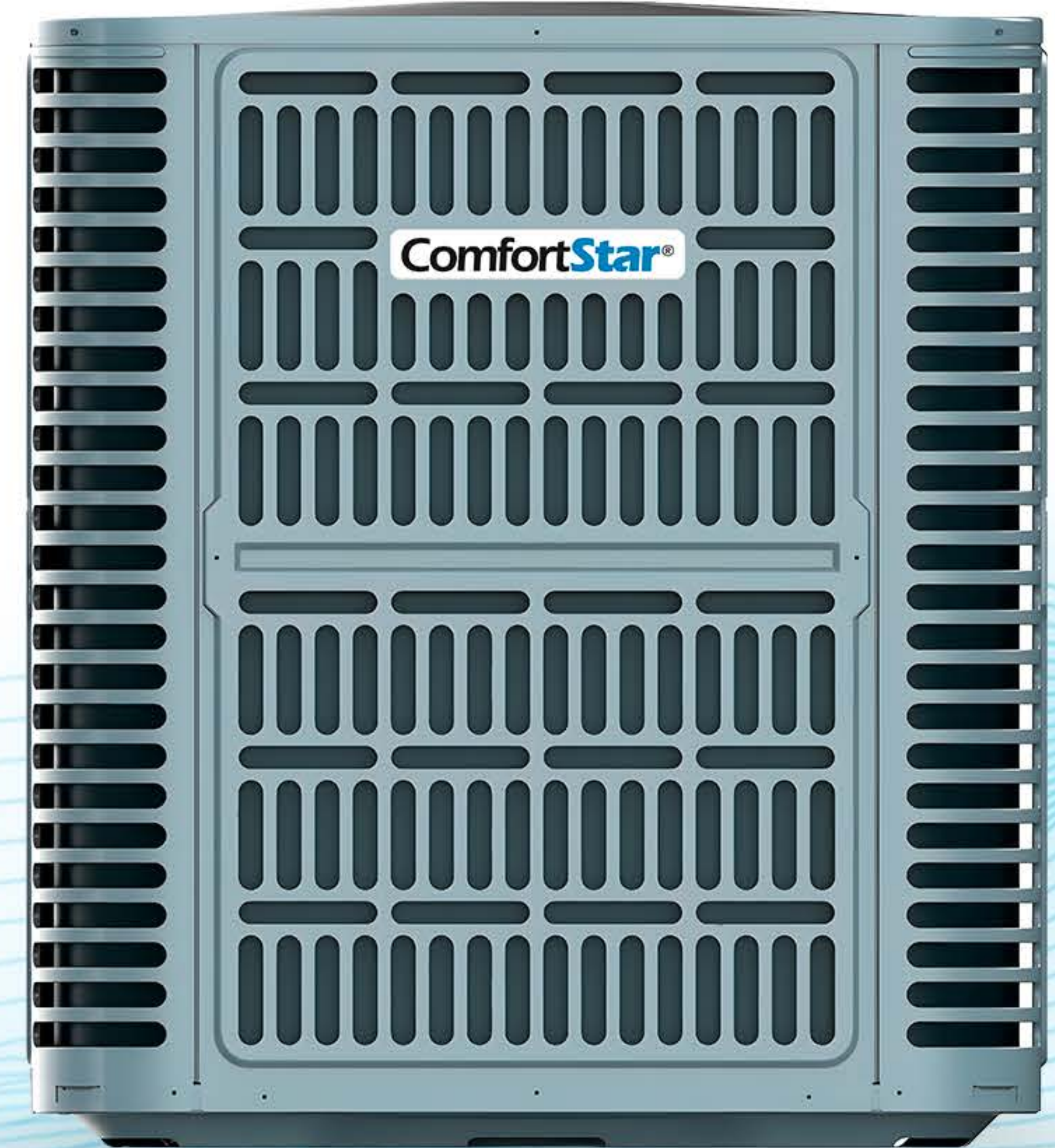
STANDARD FEATURES:

- Environmentally friendly R454B refrigerant with a low GWP value.
- Compressor designed for energy efficiency.
- Premium condenser featuring inner groove copper tube and aluminum fin.
- Service valves with sweat connections and accessible gauge ports.
- Certified by AHRI and listed by ETL.

CABINET FEATURES:

- The compact design enables easy installation, clearance, durability, and maneuverability.
- Cabinet chassis made of powder-painted galvanized steel.
- Equipped with a protective steel louvered coil guard.

**UP TO
14.3 SEER2**



DIMENSIONS:

| Model Name | Dimension (W×H×D) (inch) | Power Supply |
|---|--------------------------|-------------------|
| 14.3 SEER Cooling Only & Heat Pump | | |
| BAR6-18-15 BAH-18-15 | 21-4/5×25×21-4/5 | 208/230V-1Ph-60Hz |
| BAR6-24-15 BAH6-24-15 | 21-4/5×25×21-4/5 | 208/230V-1Ph-60Hz |
| BAR6-30-15 BAH6-30-15 | 29-1/7×25×29-1/7 | 208/230V-1Ph-60Hz |
| BAR6-36-15 BAH6-36-15 | 29-1/7×25×29-1/7 | 208/230V-1Ph-60Hz |
| BAR6-42-15 BAH6-42-15 | 29-1/7×32-7/8×29-1/7 | 208/230V-1Ph-60Hz |
| BAR6-48-15 BAH6-48-15 | 29-1/7×32-7/8×29-1/7 | 208/230V-1Ph-60Hz |
| BAR6-60-15 BAH6-60-15 | 29-1/7×32-7/8×29-1/7 | 208/230V-1Ph-60Hz |



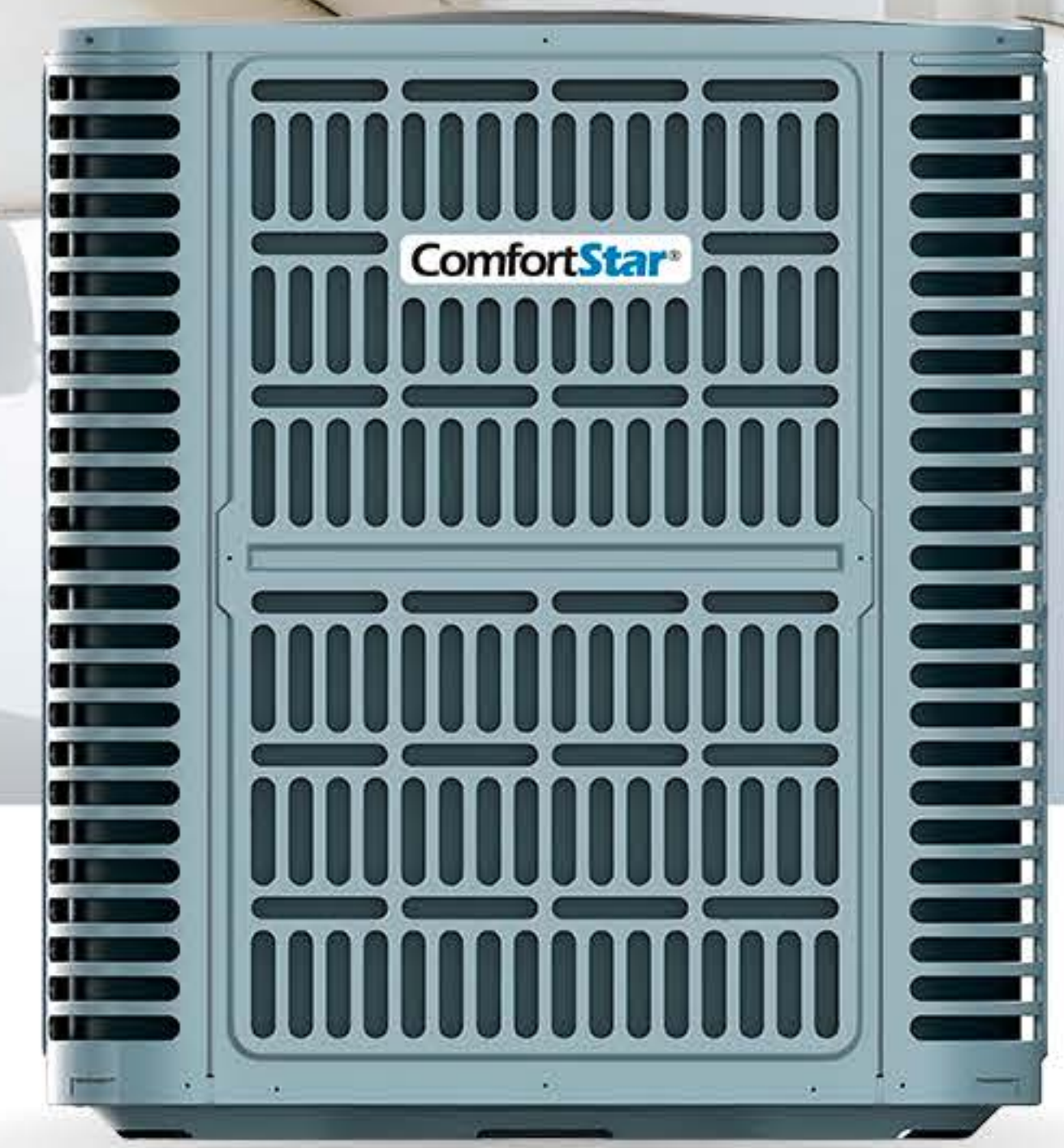
BAR6 SERIES

TOP DISCHARGE CONDENSING UNIT

1.5 TONS UP TO 5 TONS



**UP TO
14.3 SEER2**



SPECIFICATION:

| OUTDOOR UNIT | | BAR6-18-15 | BAR6-24-15 | BAR6-30-15 | BAR6-36-15 | BAR6-42-15 | BAR6-48-15 | BAR6-60-15 |
|-----------------------------|--------------------------------------|---------------------------|---------------------------|-----------------------------|-----------------------------|----------------------------|----------------------------|----------------------------|
| Electrical Data | Voltage / Phase (60Hz) | 208/230 / 1 | 208/230 / 1 | 208/230 / 1 | 208/230 / 1 | 208/230 / 1 | 208/230 / 1 | 208/230 / 1 |
| Cooling Capacity | BTU/H | 18,000 | 24,000 | 30,000 | 36,000 | 42,000 | 48,000 | 60,000 |
| Electrical Data | Min. / Max. Voltage | 187/253 | 187/253 | 187/253 | 187/253 | 187/253 | 187/253 | 187/253 |
| | MCA | 13 | 13 | 15 | 25 | 25 | 30 | 33 |
| | MOP | 15 | 20 | 20 | 35 | 35 | 40 | 45 |
| Compressor | Type | Scroll | Scroll | Scroll | Scroll | Scroll | Scroll | Scroll |
| | Stage | / | / | / | / | / | / | / |
| | Capacity (BTU/h) | 19500.00 | 24800.00 | 29700.00 | 36000.00 | 44700 | 52200 | 61400 |
| | Input Power (W) | 1192.00 | 1498.00 | 1772.00 | 2134.00 | 2684 | 3115 | 3664 |
| | RLA (A) | 6.80 | 8.70 | 10.10 | 14.00 | 12.6 | 14.5 | 16.2 |
| | LRA (A) | 47.00 | 59.00 | 71.00 | 75.00 | 96 | 102 | 125 |
| Outdoor Coil | Tube Material | CopperTube | CopperTube | CopperTube | CopperTube | CopperTube | CopperTube | CopperTube |
| | Tube Type | Inner Grooved | Inner Grooved | Inner Grooved | Inner Grooved | Inner Grooved | Inner Grooved | Inner Grooved |
| Outdoor Motor | Type | DC | DC | DC | DC | DC | DC | DC |
| | Output Power (W) | 200.00 | 200.00 | 200.00 | 200.00 | 200.00 | 200.00 | 200.00 |
| | Output (HP) | 1/16 | 1/16 | 1/16 | 1/16 | 1/16 | 1/16 | 1/16 |
| | Full Load Amps (FLA) (A) | 1.80 | 1.80 | 1.80 | 1.80 | 1.80 | 1.80 | 1.80 |
| Outdoor Unit | Unit (W*H*D)(Inch) | 21-4/5×25 ×21-4/5 | 21-4/5×25 ×21-4/5 | 29-1/7×25 ×29-1/7 | 29-1/7×25 ×29-1/7 | 29-1/7×32-7/8 ×29-1/7 | 29-1/7×32-7/8 ×29-1/7 | 29-1/7×32-7/8 ×29-1/7 |
| | Packing (W*H*D)(Inch) | 22-3/5×25-9/10 ×22-3/5 | 22-3/5×25-9/10 ×22-3/5 | 29-9/10×25-9/10 ×29-9/10 | 29-9/10×25-9/10 ×29-9/10 | 29-9/10×34-2/5 ×29-9/10 | 29-9/10×34-2/5 ×29-9/10 | 29-9/10×34-2/5 ×29-9/10 |
| | Net/Gross Weight (Lbs.) | 126/132 | 127/132 | 158/168 | 160/170 | 176/185 | 196/207 | 207/216 |
| Refrigeration System | Liquid Valve Size (Inch) | Φ3/8 | Φ3/8 | Φ3/8 | Φ3/8 | Φ3/8 | Φ3/8 | Φ3/8 |
| | Vapor Valve Size (Inch) | Φ3/4 | Φ3/4 | Φ3/4 | Φ3/4 | Φ3/4 | Φ7/8 | Φ7/8 |
| | Max. Line Length (Ft) | 130 | 130 | 130 | 130 | 130 | 130 | 130 |
| | Refrigerant Type | R454B | R454B | R454B | R454B | R454B | R454B | R454B |
| | Refrigerant Factory Charged (Lb.-Oz) | 70.55 | 75.84 | 116.40 | 123.46 | 124.45 | 134.04 | 165.78 |
| Operation Temperature Range | Cooling °F | 53~120 | 53~120 | 53~120 | 53~120 | 53~120 | 53~120 | 53~120 |



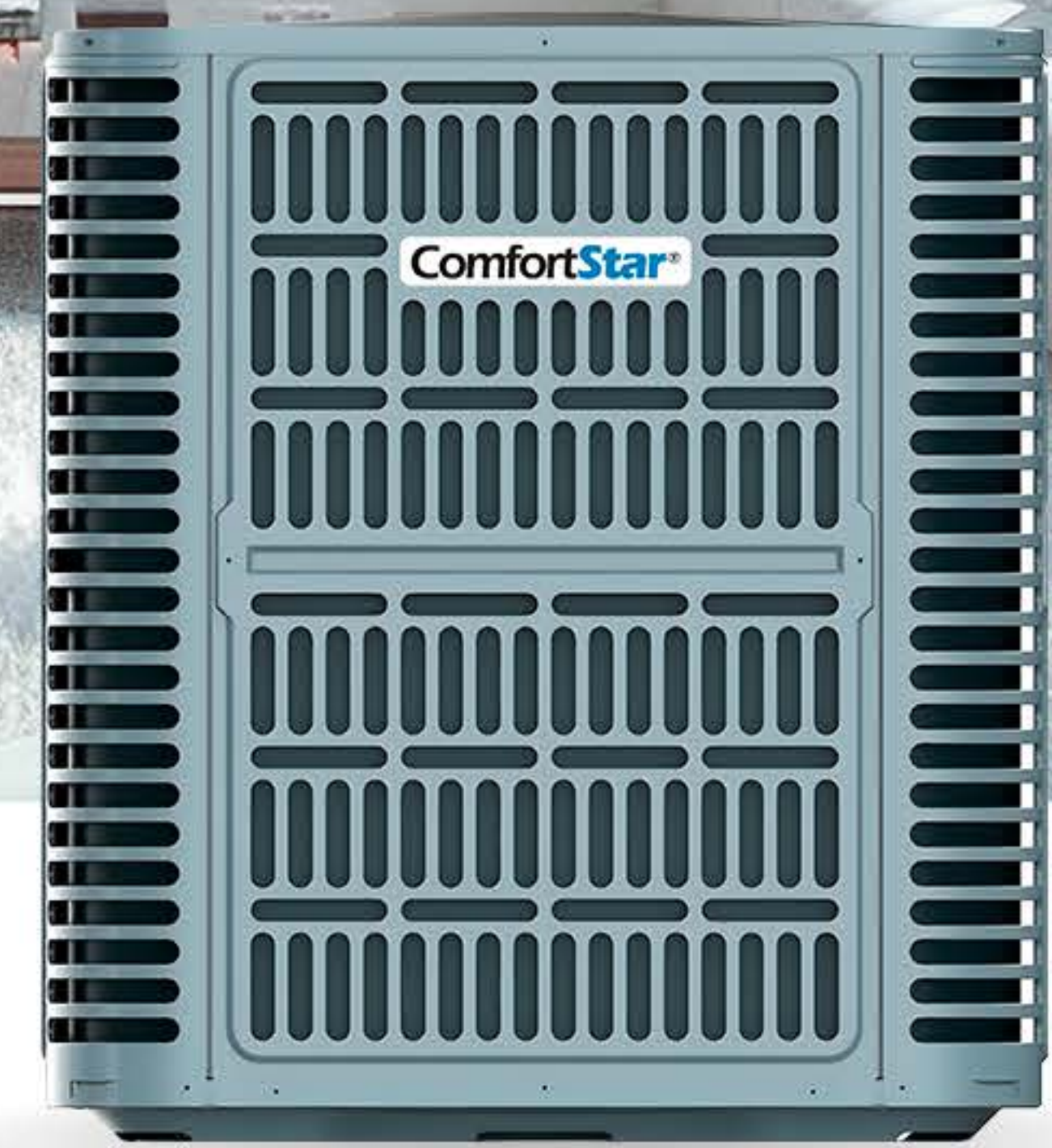
BAH6 SERIES

TOP DISCHARGE CONDENSING UNIT

1.5 TONS UP TO 5 TONS



14.3 SEER2



SPECIFICATION:

| Model | | BAH6-18-15 | BAH6-24-15 | BAH6-30-15 | BAH6-36-15 | BAH6-42-15 | BAH6-48-15 | BAH6-60-15 |
|-----------------------------|--|---------------------------|---------------------------|-----------------------------|-----------------------------|----------------------------|----------------------------|----------------------------|
| Electrical Data | Voltage / Phase (60 Hz) | 208/230 / 1 | 208/230 / 1 | 208/230 / 1 | 208/230 / 1 | 208/230 / 1 | 208/230 / 1 | 208/230 / 1 |
| Cooling Capacity | BTU/H | 18,000 | 24,000 | 30,000 | 36,000 | 42,000 | 48,000 | 60,000 |
| Heating Capacity | BTUH | 18,000 | 24,000 | 30,000 | 36,000 | 42,000 | 48,000 | 60,000 |
| Electrical Data | Min. / Max. Voltage | 187/253 | 187/253 | 187/253 | 187/253 | 187/253 | 187/253 | 187/253 |
| | MCA | 13 | 13 | 20 | 30 | 25 | 30 | / |
| | MOP | 15 | 20 | 25 | 40 | 35 | 40 | / |
| Compressor | Type | Scroll | Scroll | Scroll | Scroll | Scroll | Scroll | Scroll |
| | Stage | / | / | / | / | / | / | / |
| | Capacity (BTU/h) | 19500.00 | 24800.00 | 29700.00 | 36000.00 | 44700 | 52200 | 61400 |
| | Input Power (W) | 1192.00 | 1498.00 | 1772.00 | 2134.00 | 2684 | 3115 | 3664 |
| | RLA (A) | 6.80 | 8.70 | 10.10 | 14.00 | 12.6 | 14.5 | 16.2 |
| | LRA (A) | 47.00 | 59.00 | 71.00 | 75.00 | 96 | 102 | 125 |
| Outdoor Coil | Tube Material | CopperTube | CopperTube | CopperTube | CopperTube | CopperTube | CopperTube | CopperTube |
| | Tube Type | Inner Grooved | Inner Grooved | Inner Grooved | Inner Grooved | Inner Grooved | Inner Grooved | Inner Grooved |
| Outdoor Motor | Type | DC | DC | DC | DC | DC | DC | DC |
| | Output Power (W) | 200.00 | 200.00 | 200.00 | 200.00 | 200.00 | 200.00 | 200.00 |
| | Output (HP) | 1/16 | 1/16 | 1/16 | 1/16 | 1/16 | 1/16 | 1/16 |
| | Full Load Amps (FLA) (A) | 1.80 | 1.80 | 1.80 | 1.80 | 1.80 | 1.80 | 1.80 |
| Outdoor Unit | Unit (W*H*D)(Inch) | 21-4/5x25 x21-4/5 | 21-4/5x25 x21-4/5 | 29-1/7x25 x29-1/7 | 29-1/7x25 x29-1/7 | 29-1/7x32-7/8 x29-1/7 | 29-1/7x32-7/8 x29-1/7 | 29-1/7x32-7/8 x29-1/7 |
| | Packing (W*H*D)(Inch) | 22-3/5x25-9/10 x22-3/5 | 22-3/5x25-9/10 x22-3/5 | 29-9/10x25-9/10 x29-9/10 | 29-9/10x25-9/10 x29-9/10 | 29-9/10x34-2/5 x29-9/10 | 29-9/10x34-2/5 x29-9/10 | 29-9/10x34-2/5 x29-9/10 |
| | Net/Gross Weight (Lbs.) | 132/139 | 133/139 | 164/173 | 168/177 | 183/196 | 203/212 | 216/227 |
| Refrigeration System | Liquid Valve Size (Inch) | Φ3/8 | Φ3/8 | Φ3/8 | Φ3/8 | Φ3/8 | Φ3/8 | Φ3/8 |
| | Vapor Valve Size (Inch) | Φ3/4 | Φ3/4 | Φ3/4 | Φ3/4 | Φ3/4 | Φ7/8 | Φ7/8 |
| | Max. Line Length (Ft) | 130.00 | 130.00 | 130.00 | 130.00 | 130.00 | 130.00 | 130.00 |
| | Heating Piston Size | 60.00 | 60.00 | 60.00 | 60.00 | 60.00 | 60.00 | 60.00 |
| | Refrigerant Type | R454B | R454B | R454B | R454B | R454B | R454B | R454B |
| | Refrigerant Factory Charged (15')(Lb-Oz) | 82.89 | 82.89 | 116.40 | 125.22 | 137.56 | 156.15 | 172.84 |
| Operation Temperature Range | Cooling °F | 53~120 | 53~120 | 53~120 | 53~120 | 53~120 | 53~120 | 53~120 |
| | Heating °F | 5-80 | 5-80 | 5-80 | 5-80 | 5-80 | 5-80 | 5-80 |



LUC6 SERIES

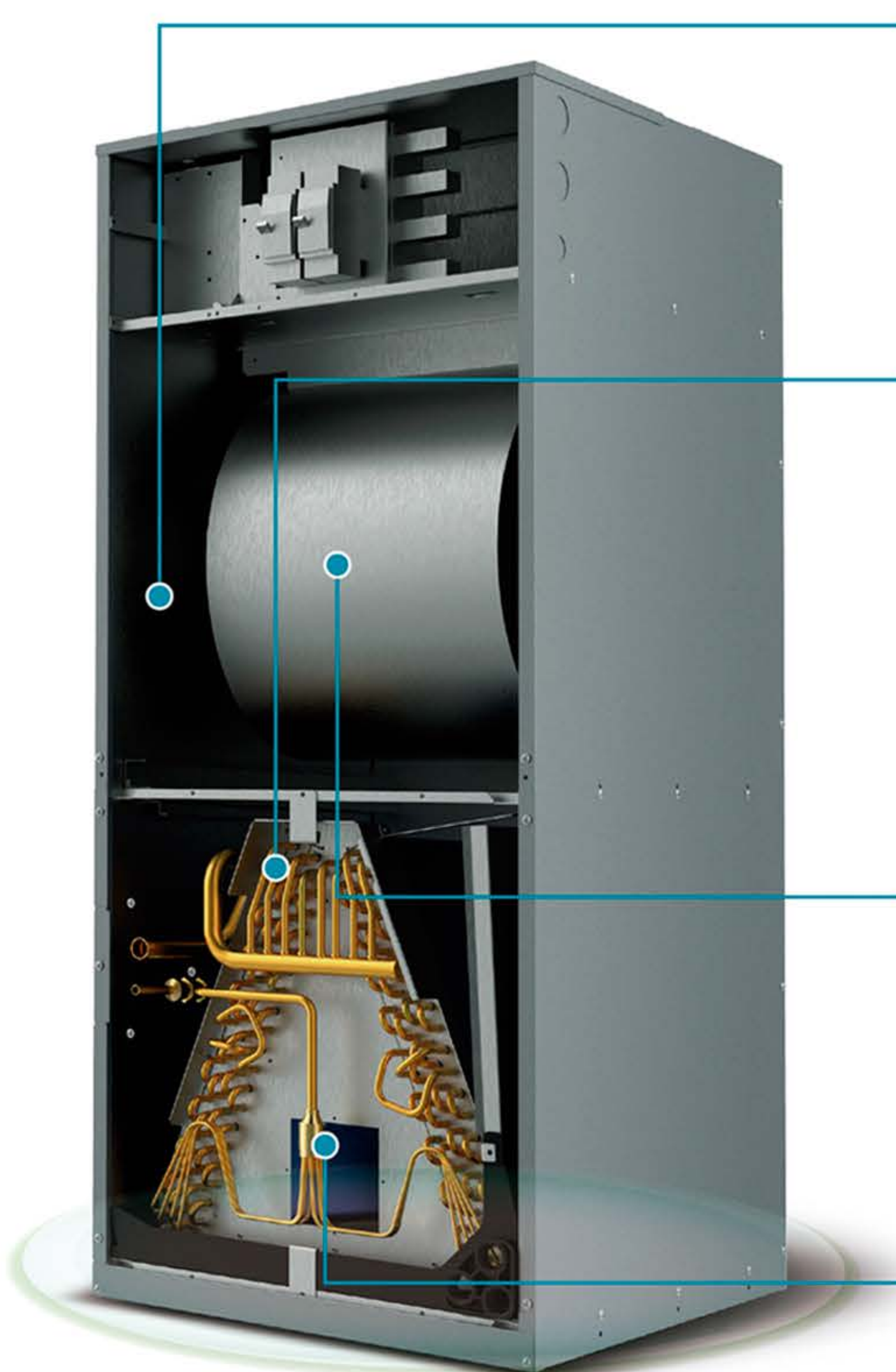
MULTI-POSITION AIR HANDLER

1.5 TONS UP TO 5 TONS
18,000 - 60,000 BTU

FEATURES:

- Copper tubes & aluminum fins.
- Factory sealed cabinet helps achieve 2% or less leakage rate - Multi-position Installation.
- Horizontal and vertical condensate drain pans standard.
- AHRI / ETL
- Blower wheel and coil easily slide out for better maintenance
- Field Installed heater kits are optional: 5/7.5/10/15/20kW.
- Multi-speed constant torque ECM blower motor
- Factory installed piston metering
- Mobile Home Certification.

UP TO 14.3 SEER2



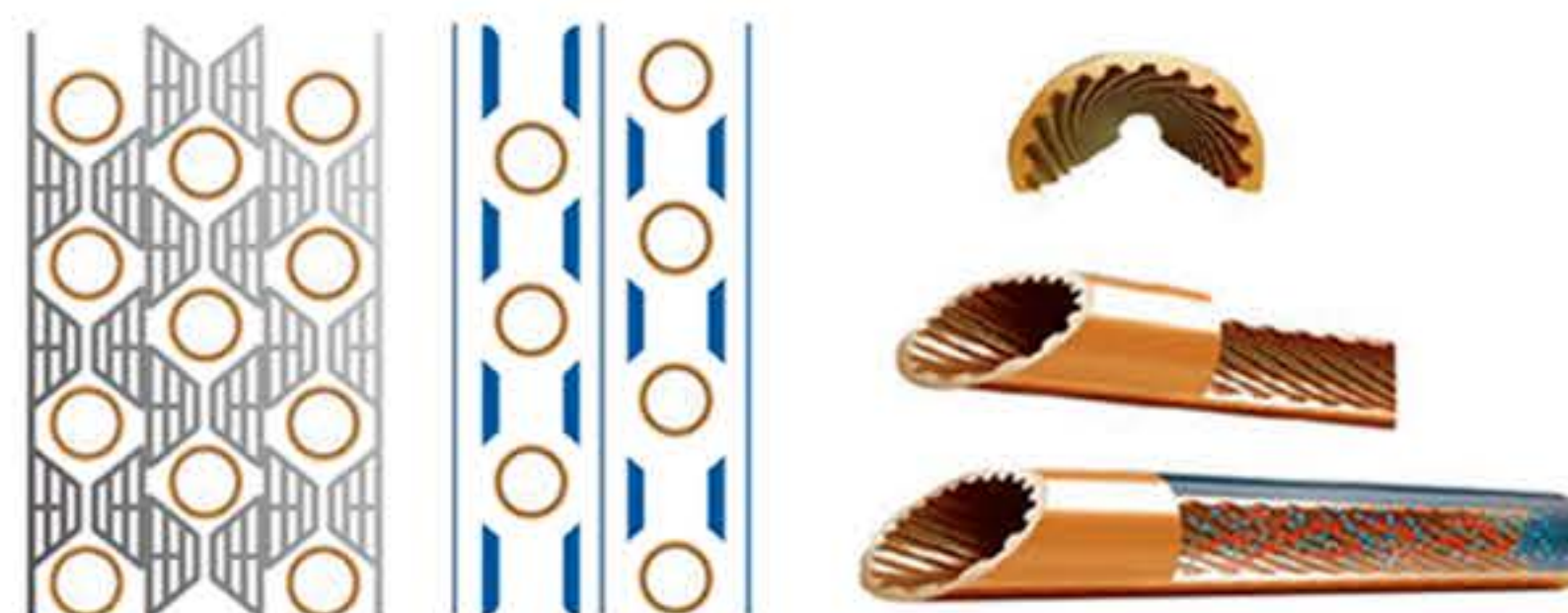
Insulated cabinet

Galvanized steel with paint on all panels. Thermal insulator cover all inside panels to reduce heat and cooling losses and prevent condensed water accumulation.



Coil

"A" shape coils, constructed with copper tubing and enhanced aluminum fins.



ECM Motor & Blower

The Air handler has multiple fan mode to choose from, which can flexibly respond to various environments.



Expansion device

Use piston as expansion device



HEATING KIT (OPTIONAL)

| Part No. | Remark |
|----------|--------|
| CHE6A-01 | 5kw |
| CHE6A-02 | 8kw |
| CHE6A-03 | 10kw |
| CHE6A-04 | 15kw |
| CHE6A-05 | 20kw |

LUC6 SERIES

AIR HANDLER

MULTI-POSITION

1.5 TONS UP TO 5 TONS



UP TO 14.3 SEER2



SPECIFICATION:

| Model | | | LUC6-18-15 | LUC6-24-15 | LUC6-30-15 | LUC6-36-15 |
|-------------------------------|---------------------|---------|----------------------|----------------------|----------------------|----------------------|
| Power Supply | Rated Voltage | V-Ph-Hz | 208/230V-1Ph-60hz | 208/230V-1Ph-60hz | 208/230V-1Ph-60hz | 208/230V-1Ph-60hz |
| | Min. / Max. Voltage | V | 187/253 | 187/253 | 187/253 | 187/253 |
| Cooling | Cooling Capacity | BTU/h | 18,000 | 24,000 | 30,000 | 36,000 |
| Min. Circuit Amps | | A | 1.5 | 1.5 | 2 | 2 |
| Max. Over Current Protection | | A | 3 | 3 | 3 | 3 |
| Indoor Motor | Type | | ECM | ECM | ECM | ECM |
| | Output Horse Power | HP | 1/8 | 1/8 | 1/8 | 1/8 |
| | FLA | A | 2.6 | 2.6 | 3.8 | 3.8 |
| | Speed (Rated) | RPM | 643/593/556/476/412 | 643/593/556/476/412 | 760/718/662/610/548 | 760/718/662/610/548 |
| Indoor Fan | Material | | Metal | Metal | Metal | Metal |
| | Type | | ECM | ECM | ECM | ECM |
| | Diameter | Inch | 12 5/16 | 12 5/16 | 12 5/16 | 12 5/16 |
| | Length | Inch | 12 29/32 | 12 29/32 | 12 29/32 | 12 29/32 |
| | Airflow (Rated) | CFM | 678 | 742 | 1042 | 1042 |
| Indoor Coil | Tube Material | | Copper Tube | Copper Tube | Copper Tube | Copper Tube |
| | Tube Size | | Φ 0.276 | Φ 0.276 | Φ 0.276 | Φ 0.276 |
| Indoor Air Flow (Hi/Mi/Lo) | | CFM | 678 | 742 | 1042 | 1042 |
| Indoor Noise Level (Hi/Mi/Lo) | | dB(A) | 50 | 54 | 56 | 56 |
| Indoor Unit | Unit (W×H×D) | Inch | 19-5/8/3×45-3/4×22 | 19-5/8/3×45-3/4×22 | 19-5/8/3×45-3/4×22 | 19-5/8/3×45-3/4×22 |
| | Packing (W×H×D) | Inch | 22-5/6×47-5/8×25-3/5 | 22-5/6×47-5/8×25-3/5 | 22-5/6×47-5/8×25-3/5 | 22-5/6×47-5/8×25-3/5 |
| | Air Outlet (W×H) | Inch | 17 7/8*10 1/2 | 17 7/8*10 1/2 | 17 7/8*10 1/2 | 17 7/8*10 1/2 |
| | Net/Gross Weight | Lb | 123/135 | 123/135 | 132/140 | 132/140 |
| Refrigerant Piping | Liquid Side | Inch | Φ3/8 | Φ3/8 | Φ3/8 | Φ3/8 |
| | Gas Side | Inch | Φ3/4 | Φ3/4 | Φ3/4 | Φ3/4 |
| Thermostat Type | | | Wire Control | Wire Control | Wire Control | Wire Control |
| Operation Temperature Range | | °F | 53-120 | 53-120 | 53-120 | 53-120 |



LUC6 SERIES

AIR HANDLER

MULTI-POSITION

1.5 TONS UP TO 5 TONS

UP TO **14.3** SEER2



SPECIFICATION:

| Model | | | LUC6-42-15 | LUC6-48-15 | LUC6-60-15 |
|-------------------------------|---------------------|---------|---------------------|---------------------|---------------------|
| Power Supply | Rated Voltage | V-Ph-Hz | 208/230V-1Ph-60hz | 208/230V-1Ph-60hz | 208/230V-1Ph-60hz |
| | Min. / Max. Voltage | V | 187/253 | 187/253 | 187/253 |
| Cooling | Cooling Capacity | BTU/h | 42,000 | 48,000 | 60,000 |
| Min. Circuit Amps | | A | 2.5 | 3 | 3 |
| Max. Over Current Protection | | A | 5 | 5 | 5 |
| Indoor Motor | Type | | ECM | ECM | ECM |
| | Output Horse Power | HP | 3/16 | 3/16 | 3/16 |
| | FLA | A | 5.4 | 5.4 | 5.4 |
| | Speed (Rated) | RPM | 977/833/760/683/610 | 977/833/760/683/610 | 977/833/760/683/610 |
| Indoor Fan | Material | | Metal | Metal | Metal |
| | Type | | ECM | ECM | ECM |
| | Diameter | Inch | 12 5/16 | 12 5/16 | 12 5/16 |
| | Length | Inch | 12 29/32 | 12 29/32 | 12 29/32 |
| | Airflow (Rated) | CFM | 1230 | 1363 | 1580 |
| Indoor Coil | Tube Material | | Copper Tube | Copper Tube | Copper Tube |
| | Tube Size | | Φ 0.276 | Φ 0.276 | Φ 0.276 |
| Indoor Air Flow (Hi/Mi/Lo) | | CFM | 1230 | 1363 | 1580 |
| Indoor Noise Level (Hi/Mi/Lo) | | dB(A) | 59 | 57 | 60 |
| Indoor Unit | Unit (W×H×D) | Inch | 22×53-1/8×24-1/2 | 22×53-1/8×24-1/2 | 22×53-1/8×24-1/2 |
| | Packing (W×H×D) | Inch | 28×54-3/4×25-1/5 | 28×54-3/4×25-1/5 | 28×54-3/4×25-1/5 |
| | Air Outlet (W×H) | Inch | 17 7/8*10 1/2 | 17 7/8*10 1/2 | 17 7/8*10 1/2 |
| | Net/Gross Weight | Lb | 159/172 | 159/172 | 170/183 |
| Refrigerant Piping | Liquid Side | Inch | Φ3/8 | Φ3/8 | Φ3/8 |
| | Gas Side | inch | Φ3/4 | Φ7/8 | Φ7/8 |
| Thermostat Type | | | Wire Control | Wire Control | Wire Control |
| Operation Temperature Range | | °F | 53-120 | 53-120 | 53-120 |



CWM6 SERIES

WALL MOUNTED AIR HANDLER



1.5 TONS UP TO 3 TONS
18,000 - 36,000 BTU

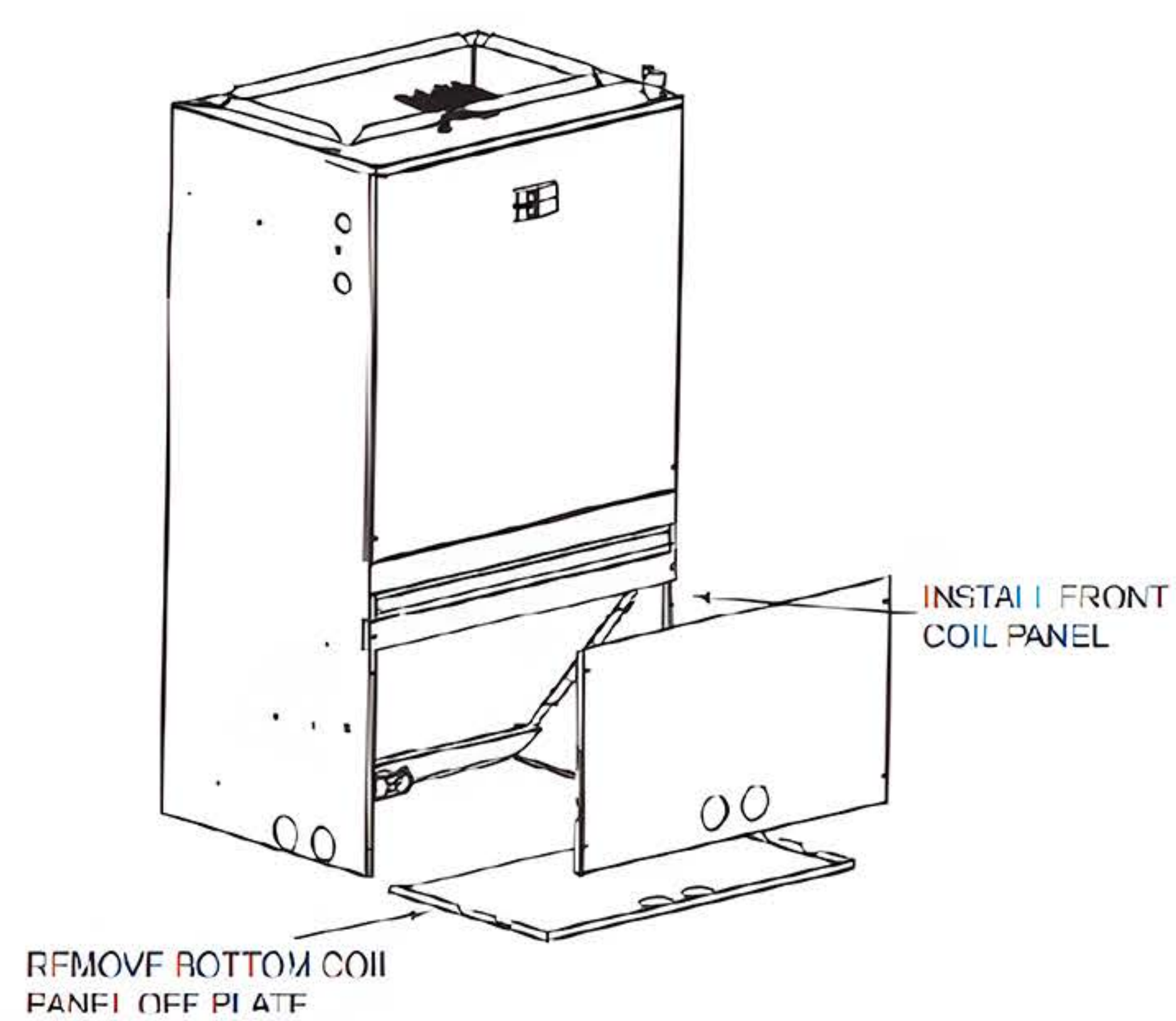
FEATURES:

- Front or bottom air return: Remove the cross brace when converting the cabinet to a bottom return
- Wall or stud mounting installation
- Factory Standard Front Return: Convertible to Bottom Return by removing the base pan panel to the front side
- Suitable for CO and HP condenser unit.
- Operates quietly.
- Auxiliary heaters are available in 5kw, 7.5kw, and 10kw options.
- Equipped with an ECM constant torque motor.
- Features copper tube and aluminum fin coils.
- Comes with a factory-installed piston metering device.
- Metal cabinet with foil face insulation.
- Standard thermostat functionality.
- Compact design.
- Includes a refrigerant leak sensor.

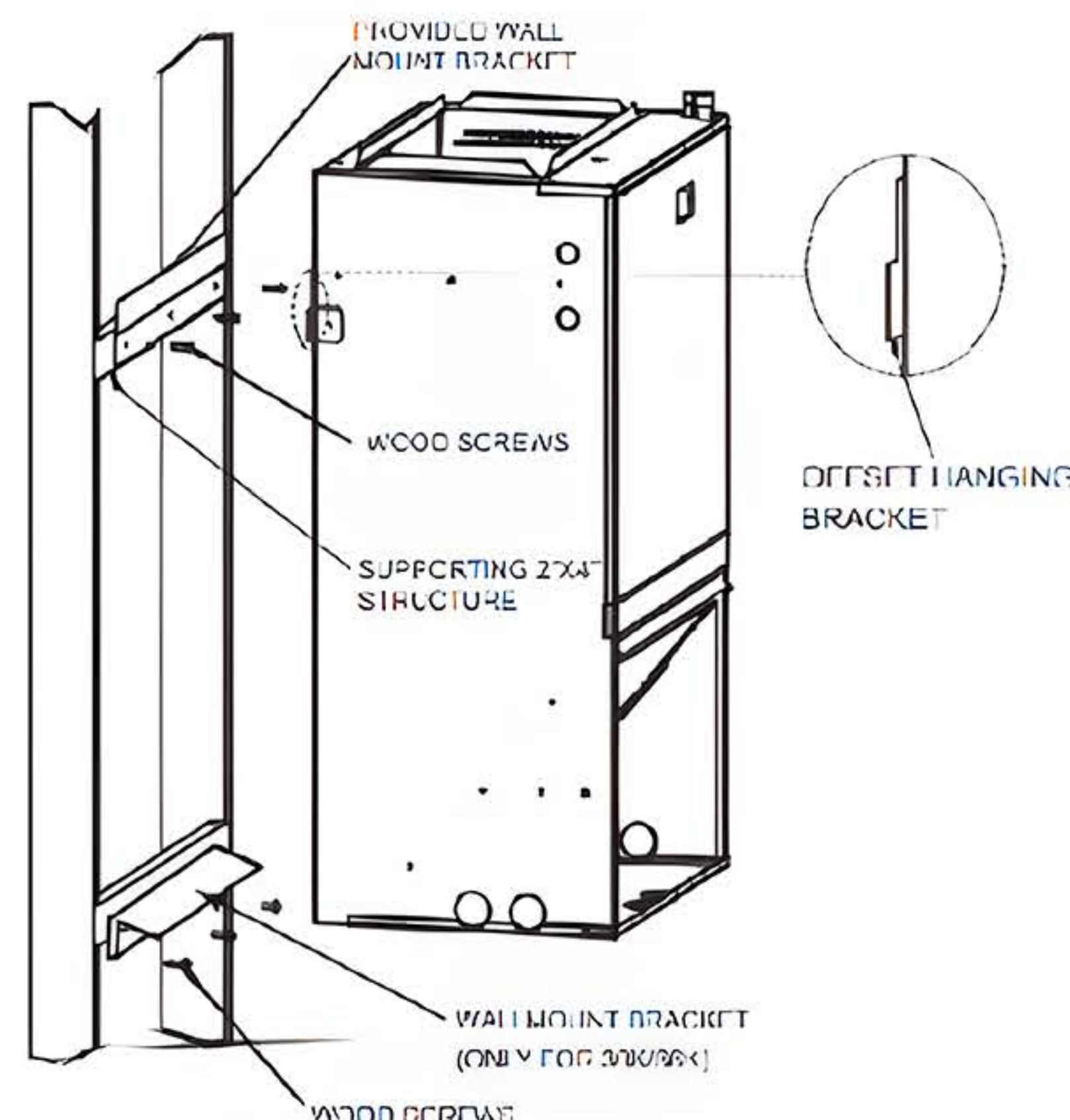
HEATING KIT (OPTIONAL)

| Part No. | Remark |
|----------|--------|
| CHE6-05B | 5kw |
| CHE6-08B | 8kw |
| CHE6-10B | 10kw |

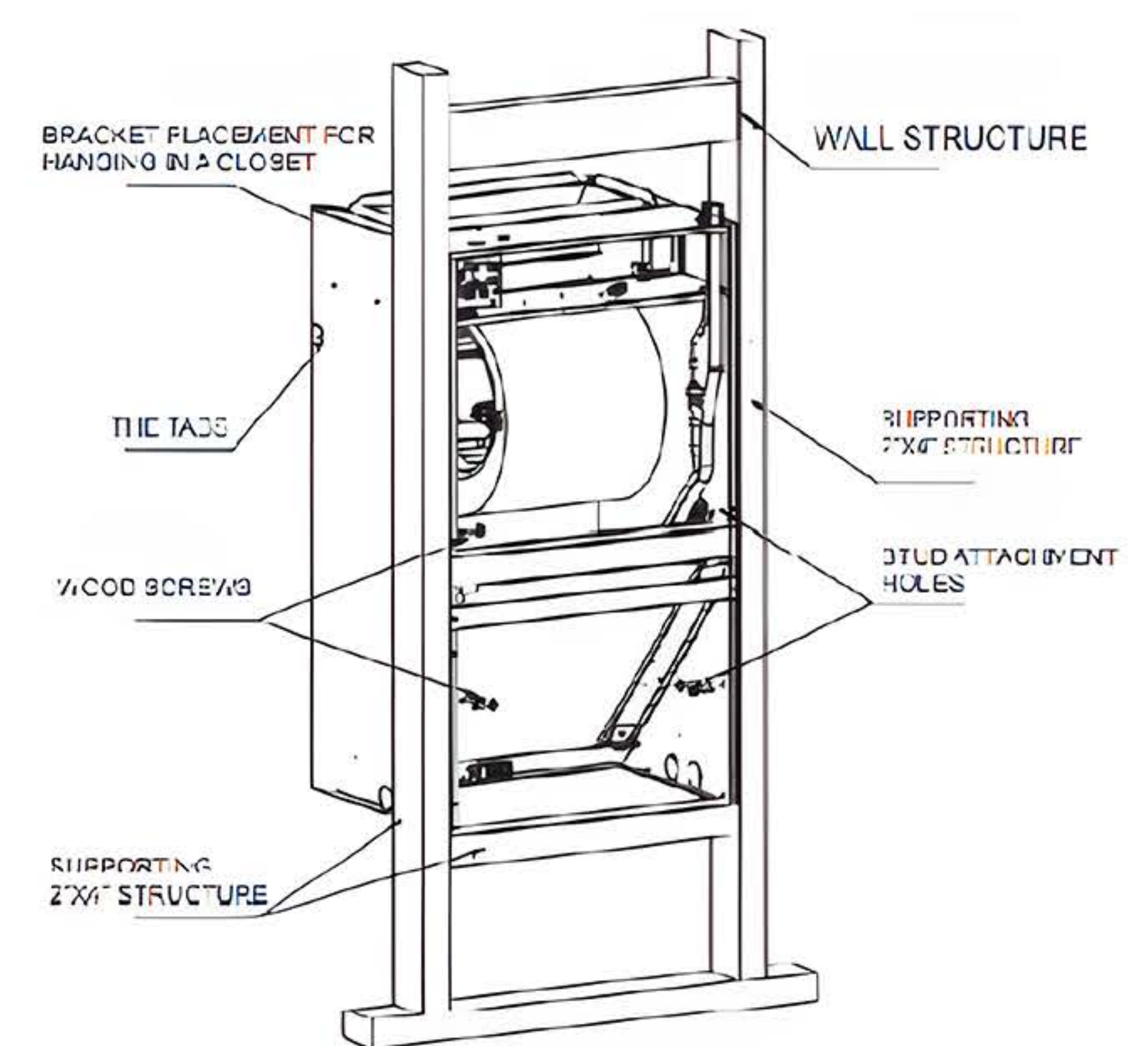
14.3 SEER2



Different Air Supply



Wall Mount



Frame Mount



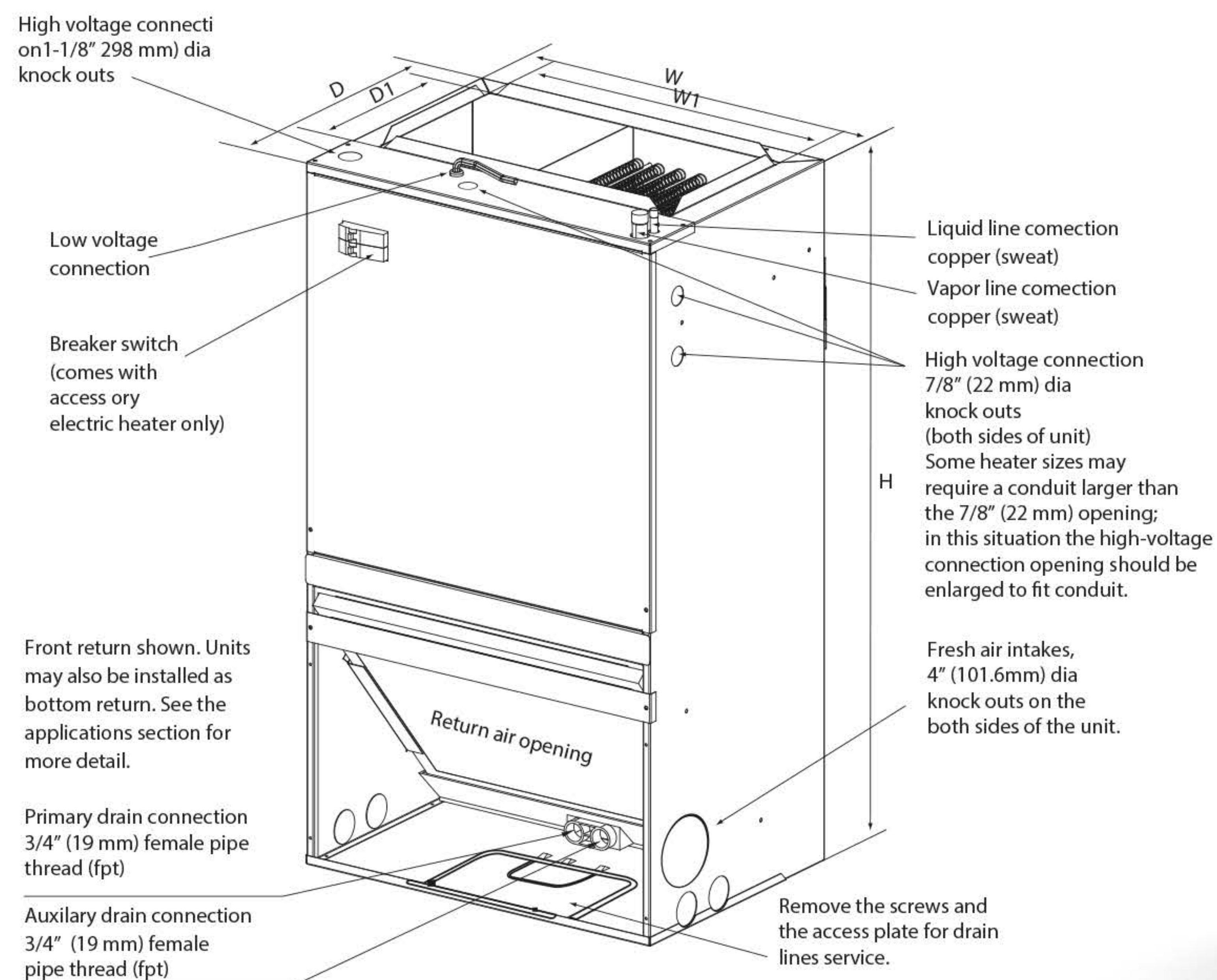
CWM6 SERIES

WALL MOUNTED AIR HANDLER

1.5 TONS UP TO 3 TONS



SPECIFICATION:



14.3 SEER2



SPECIFICATION:

| Model | | | CWM6-18E-15 | CWM6-24E-15 | CWM6-30E-15 | CWM6-36E-15 |
|-----------------------------|---------------------|---------|-------------------------|-------------------------|--------------------------|--------------------------|
| Power Supply | Rated Voltage | V-Ph-Hz | 208/230V,1Ph,60Hz | 208/230V,1Ph,60Hz | 208/230V,1Ph,60Hz | 208/230V,1Ph,60Hz |
| | Min. / Max. Voltage | V | 187/253 | 187/253 | 187/253 | 187/253 |
| Cooling | Capacity | BTU/h | 18,000 | 24,000 | 30,000 | 36,000 |
| Indoor Fan | Type | | ECM | ECM | ECM | ECM |
| Indoor Coil | Type | | Tube & Fin | Tube & Fin | Tube & Fin | Tube & Fin |
| | Tube Outside Dia. | Inch | Φ 0.276 | Φ 0.276 | Φ 0.276 | Φ 0.276 |
| | Tube Material | | Inner Grooved | Inner Grooved | Inner Grooved | Inner Grooved |
| Indoor Unit | Unit (W×H×D) | Inch | 20-1/2"×15"×36-1/2" | 20-1/2"×15"×36-1/2" | 22"×19"×39-1/2" | 22"×19"×39-1/2" |
| | Packing (W×H×D) | Inch | 23-3/7"×17-1/2"×39-1/2" | 23-3/7"×17-1/2"×39-1/2" | 24-1/2"×21-4/5"×42-1/10" | 24-1/2"×21-4/5"×42-1/10" |
| | Air Outlet (W×H) | Inch | 17 1/2 * 9 1/2 | 17 1/2 * 9 1/2 | 17 1/2 * 9 1/2 | 17 1/2 * 9 1/2 |
| Refrigerant Piping | Liquid Side | Inch | Φ3/8 | Φ3/8 | Φ3/8 | Φ3/8 |
| | Gas Side | Inch | Φ3/4 | Φ3/4 | Φ3/4 | Φ3/4 |
| Design Information | Design Pressure | Psig | 550/250 | 550/250 | 550/250 | 550/250 |
| | Control | | 24V Wire Control | 24V Wire Control | 24V Wire Control | 24V Wire Control |
| Operation Temperature Range | | °F | 53-120 | 53-120 | 53-120 | 53-120 |



MATCH UP TABLES



BAR6 SERIES

| Model | | Cooling Capacity (BTU/h) | Heating Capacity (BTU/h) | EER2 | SEER2 | HSPF2 |
|------------|-------------|--------------------------|--------------------------|------|-------|-------|
| Outdoor | Indoor | | | | | |
| BAR6-18-15 | LUC6-18-15 | 17600 | / | 11.7 | 14.3 | / |
| BAR6-24-15 | LUC6-24-15 | 22800 | / | 11.7 | 14.3 | / |
| BAR6-30-15 | LUC6-30-15 | 28000 | / | 11.7 | 14.3 | / |
| BAR6-36-15 | LUC6-36-15 | 33000 | / | 11.7 | 14.3 | / |
| BAR6-42-15 | LUC6-42-15 | 41000 | / | 11.7 | 14.3 | / |
| BAR6-48-15 | LUC6-48-15 | 46000 | / | 11.2 | 13.8 | / |
| BAR6-60-15 | LUC6-60-15 | 54000 | / | 11.2 | 13.8 | / |
| BAR6-18-15 | CWM6-18E-15 | 17400 | / | 11.7 | 14.3 | / |
| BAR6-24-15 | CWM6-24E-15 | 22000 | / | 11.7 | 14.3 | / |
| BAR6-30-15 | CWM6-30E-15 | 29000 | / | 11.7 | 14.3 | / |
| BAR6-36-15 | CWM6-36E-15 | 33800 | / | 11.7 | 14.3 | / |



BAH6 SERIES

| Model | | Cooling Capacity (BTU/h) | Heating Capacity (BTU/h) | EER2 | SEER2 | HSPF2 |
|------------|-------------|--------------------------|--------------------------|------|-------|-------|
| Outdoor | Indoor | | | | | |
| BAH6-18-15 | LUC6-18-15 | 17600 | 17200 | 11.7 | 14.3 | 7.5 |
| BAH6-24-15 | LUC6-24-15 | 22800 | 21800 | 11.7 | 14.3 | 7.5 |
| BAH6-30-15 | LUC6-30-15 | 28000 | 27800 | 11.7 | 14.3 | 7.5 |
| BAH6-36-15 | LUC6-36-15 | 33000 | 33000 | 11.7 | 14.3 | 7.5 |
| BAH6-42-15 | LUC6-42-15 | 41000 | 40600 | 11.7 | 14.3 | 7.5 |
| BAH6-48-15 | LUC6-48-15 | 46000 | 45600 | 11.2 | 14.3 | 7.5 |
| BAH6-60-15 | LUC6-60-15 | 54000 | 54000 | 11.2 | 14.3 | 7.5 |
| BAH6-18-15 | CWM6-18E-15 | 17400 | 17000 | 11.7 | 14.3 | 7.5 |
| BAH6-24-15 | CWM6-24E-15 | 22000 | 22000 | 11.7 | 14.3 | 7.5 |
| BAH6-30-15 | CWM6-30E-15 | 29000 | 27600 | 11.7 | 14.3 | 7.5 |
| BAH6-36-15 | CWM6-36E-15 | 33800 | 33000 | 11.7 | 14.3 | 7.5 |



ComfortStar®

Air Conditioning & Heating Products

BAR6 & BAH6 SERIES 1.5 UP TO 5 TONS

R454B

**UP TO
14.3 SEER2**



**10 YEARS
WARRANTY
PARTS**

**10 YEARS
WARRANTY
COMPRESSOR**

AHRI CERTIFIED™
www.ahridirectory.org



Comfort, it's in our name.

12201 N.W. 107TH AVENUE, MEDLEY, FL 33178
TOLL FREE: 1-866-524-9898 | PHONE: 305-500-9898 | FAX: 305-500-9896

All rights reserved. Printed in the United States of America. This publication is protected by Copyright and permission must be obtained by eAir, LLC prior to any reproduction or transmission in any form or by any means, electronic, mechanical, photocopying, recording or likewise. Warranty registration is not required in California.

BAR6 & BAH6 | 2024

e-mail: info@comfortstarusa.com | www.comfortstarusa.com