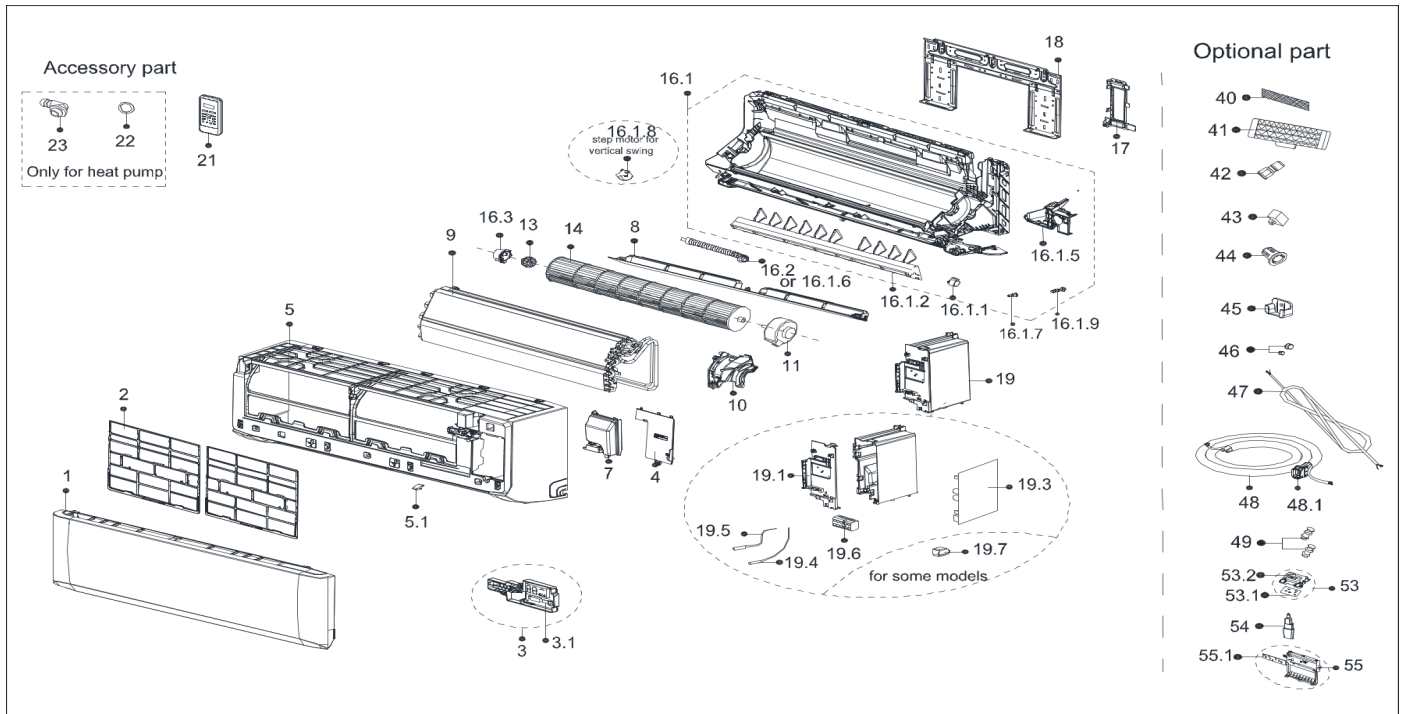


Exploded View

Model CAC12CA(I) (209)

Service code: 209

ComfortStar®



EX_ID	Spare Parts Code	Part Name(EN)	Qty.	Price	Remarks
1	12122000A92205	Panel assembly	1.00		
2	12100204000522	Filter Assembly	2.00		
3	17222000A67643	Display box subassembly	1.00		
3.1	17122000060201	Display board subassembly	1.00		
4	12122000024739	Cover Plate	1.00		
5	12122000025543	Panel Frame Assembly	1.00		
5.1	12122000013139	Screw Cap	1.00		
7	12122000032628	Cover of electrical equipment subassembly	1.00		
8	12122000025544	Louver Subassembly	1.00		
9	15822000015688	Evaporator assembly	1.00		

10	12122000029503	Motor Cover	1.00		
11	11002015006201	Brushless DC Motor	1.00		
13	12622000000131	Bearing Block Assembly	1.00		
14	12100102000576	Cross Flow Fan	1.00		
16	12122000025981	Chassis Assembly	1.00		
16.1	12122000026442	Chassis assembly	1.00		
16.1.1	11002010000143	Stepper Motor	1.00		
16.1.2	12122000024736	Vortex Tongue Bar	1.00		
16.1.5	12122000024735	Anti mouse baffle	1.00		
16.1.6	12100501000032	Drain Hose	1.00		
16.1.7	12122000000344	Electricity Preventing Axis	1.00		
16.1.9	12622000000030	Drainage plug	1.00		
16.3	12122000000350	Bearing Sleeve	1.00		
17	12122000012943	pipe clamp board	1.00		
18	12222000000018	Installation Plate	1.00		
19	17222000043514	Electronic control box subassembly (Mid-and low-end)	1.00		
19.3	17122000063179	Main control board subassembly	1.00		
19.4	11201007003424	Room Temperature Sensor	1.00		
19.5	11201007003447	Pipe Temperature Sensor	1.00		
19.6	17400401000576	Wire Joint	1.00		
20	12122000032643	Electronic control box subassembly	1.00		
21	17317000A69181	Remote controller	1.00		
40	12100204000685	Cold Catalyst Air Filter	1.00		
45	12122000029201	Bracket of Remote Controller	1.00		
47	17401203026700	Indoor and Outdoor Junction Cable	1.00		