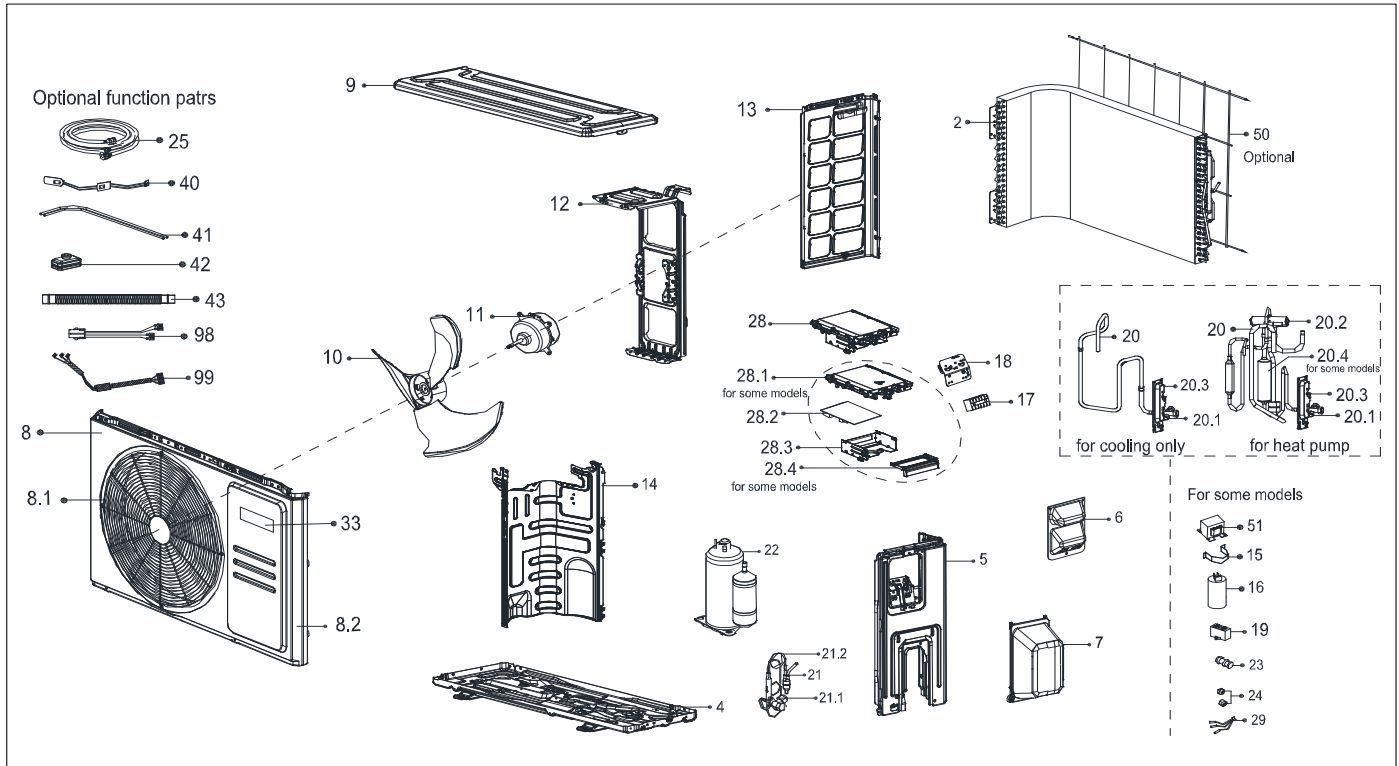


Exploded View

Model CAC12CA(O)-WI (28X)

ComfortStar®

Service code: 28X



EX_ID	Spare Parts Code	Part Name(EN)	Qty.	Price	Remarks
2	15822000009657	Condenser assembly	1		
4	12222000012131	Chassis assembly	1		
5	12222000012141	right side plate	1		
6	12122000031166	handle	1		
7	12122000007150	Water collector	1		
8	12222000012137	Front panel assembly	1		
8.1	12122000024226	Air outlet grille	1		
8.2	12222000012138	Front panel	1		
9	12222000014305	Top cover	1		
10	12100105000821	axial flow fan	1		ZL-415*129*8-3KN

11	11002015016402	Motor	1		ZKFN-25-10-5L
12	12222000012390	Motor bracket	1		
13	12222000012135	Left supporter	1		
14	12222000013428	Partition board	1		
17	17400401000075	Terminal block	1		JXZ-PT5H-A
18	12222000002259	supporter board	1		
20	15422000024203	4-ways valve or Gas valve assembly	1		
20.1	15500204000021	Gas valve	1		DYF-A28N
20.3	12222200005738	Valve plate	1		
21	15422000024082	High pressure valve assembly	1		
21.1	15500208000046	High pressure valve	1		GYF-A28N1
21.2	15122000025696	Capillary	1		
22	11103020011803	compressor	1		KSK103D32UEZ31
24	15500406000016	Copper nut	1		TLM-A01
24	15500406000010	Copper nut	1		TLM-B02
28	17222000043513	Electronic control box assembly	1		
28.1	12122000030601	Electrical installation plate	1		
28.3	12122000030602	Electronic installing box assembly	1		
29	11201011000688	combination sensor	1		
33	16000201001228	Outdoor unit trademark	1		
99	17401203012697	compressor connection cable	1		

