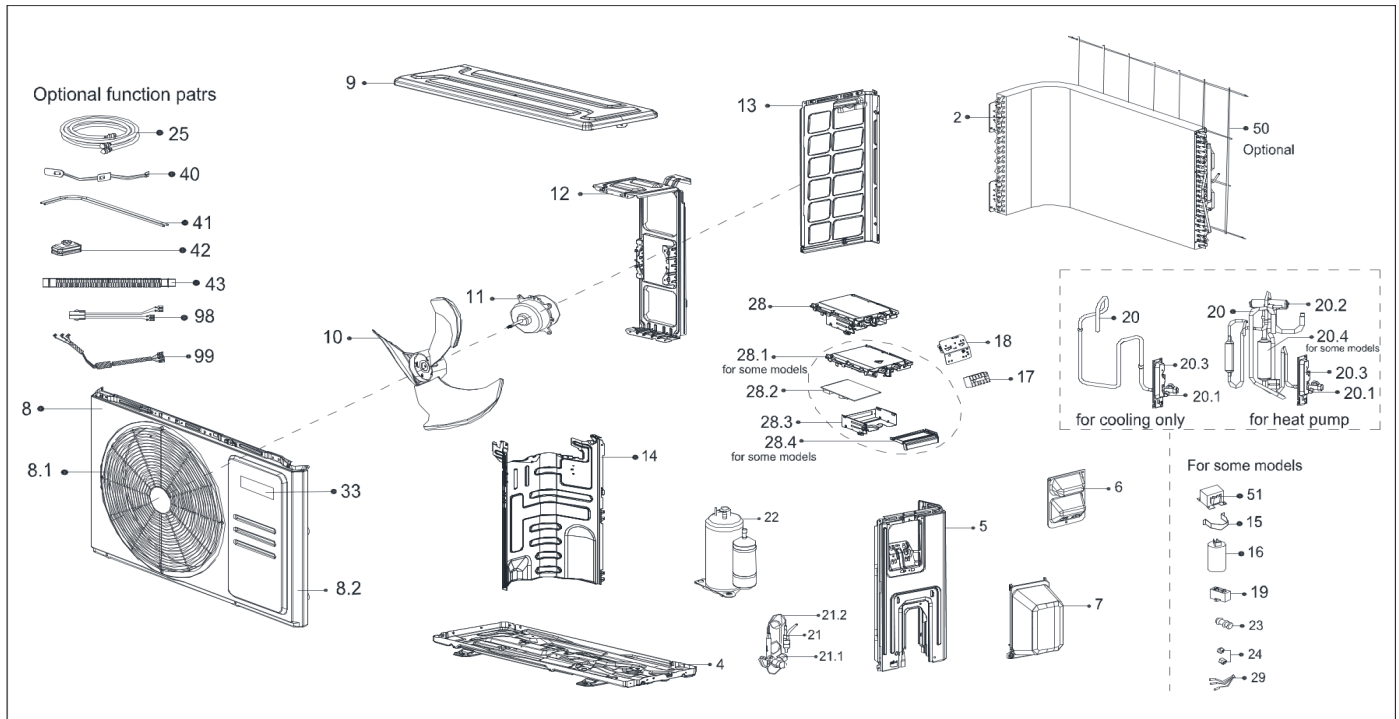


Exploded View

Model CAC12CA(O) (20A)
Service code: 20A

ComfortStar®



EX_ID	Spare Parts Code	Part Name(EN)	Qty.	Price	Remarks
2	15822000A17007	Condenser Assembly	1.00		
2	15822000A17007	Condenser Assembly	1.00		
4	12222000012131	Chassis Assembly	1.00		
4	12222000012131	Chassis Assembly	1.00		
5	12222000012141	Right Clapboard Assembly	1.00		
5	12222000012141	Right Clapboard Assembly	1.00		
6	12122000031166	Big Handle Assembly	1.00		
6	12122000031166	Big Handle Assembly	1.00		
7	12122000007150	Water Collector	1.00		
7	12122000007150	Water Collector	1.00		

8	12222000012137	Front Panel Assembly	1.00		
8	12222000012137	Front Panel Assembly	1.00		
8.1	12122000024226	Air-Out Mesh Enclosure	1.00		
8.1	12122000024226	Air-Out Mesh Enclosure	1.00		
8.2	12222000012138	Front panel	1.00		
8.2	12222000012138	Front panel	1.00		
9	12222000014305	Top Cover Assembly	1.00		
9	12222000014305	Top Cover Assembly	1.00		
10	12100105000821	Axial Flow Fan	1.00		
10	12100105000821	Axial Flow Fan	1.00		
11	11002015016402	Brushless DC Motor	1.00		
11	11002015016402	Brushless DC Motor	1.00		
12	12222000012390	Motor Bracket	1.00		
12	12222000012390	Motor Bracket	1.00		
13	12222000012135	Left Side Panel	1.00		
13	12222000012135	Left Side Panel	1.00		
14	12222000013428	Partition Board Assembly	1.00		
14	12222000013428	Partition Board Assembly	1.00		
17	17400401000075	Terminal	1.00		
17	17400401000075	Terminal	1.00		
18	12222000002259	Terminal Board	1.00		
18	12222000002259	Terminal Board	1.00		
20	15422000024203	Gas valve assembly	1.00		
20	15422000024203	Gas valve assembly	1.00		
20.1	15500204000021	Gas Valve	1.00		
20.1	15500204000021	Gas Valve	1.00		
20.3	12222200005738	Valve Plate	1.00		
20.3	12222200005738	Valve Plate	1.00		
21	15422000024082	Liquid valve Assembly	1.00		
21	15422000024082	Liquid valve Assembly	1.00		
21.1	15500208000046	Liquid Valve	1.00		
21.1	15500208000046	Liquid Valve	1.00		
21.2	15122000025696	Capillary	1.00		
21.2	15122000025696	Capillary	1.00		

22	11103020011803	DC Inverter Rotary Compressor	1.00		
22	11103020011803	DC Inverter Rotary Compressor	1.00		
25	15111600A00008	Connecting Pipe Assembly	1.00		
25	15111600A00008	Connecting Pipe Assembly	1.00		
28	17222000043513	Electronic control box subassembly	1.00		
28	17222000043513	Electronic control box subassembly	1.00		
28.1	12122000030601	Cover of electronic control box	1.00		
28.1	12122000030601	Cover of electronic control box	1.00		
28.3	12122000030602	Electronic installing box subassembly	1.00		
28.3	12122000030602	Electronic installing box subassembly	1.00		
29	11201011000688	Combination Sensor	1.00		
29	11201011000688	Combination Sensor	1.00		
33	16022000C95520	Trademark	1.00		
33	16022000C95520	Trademark	1.00		
43	12100509000059	Drain Hose	1.00		
43	12100509000059	Drain Hose	1.00		
50	12222000012385	Rear net	1.00		
50	12222000012385	Rear net	1.00		
99	17401203012697	Compressor Wires Subassembly	1.00		
99	17401203012697	Compressor Wires Subassembly	1.00		