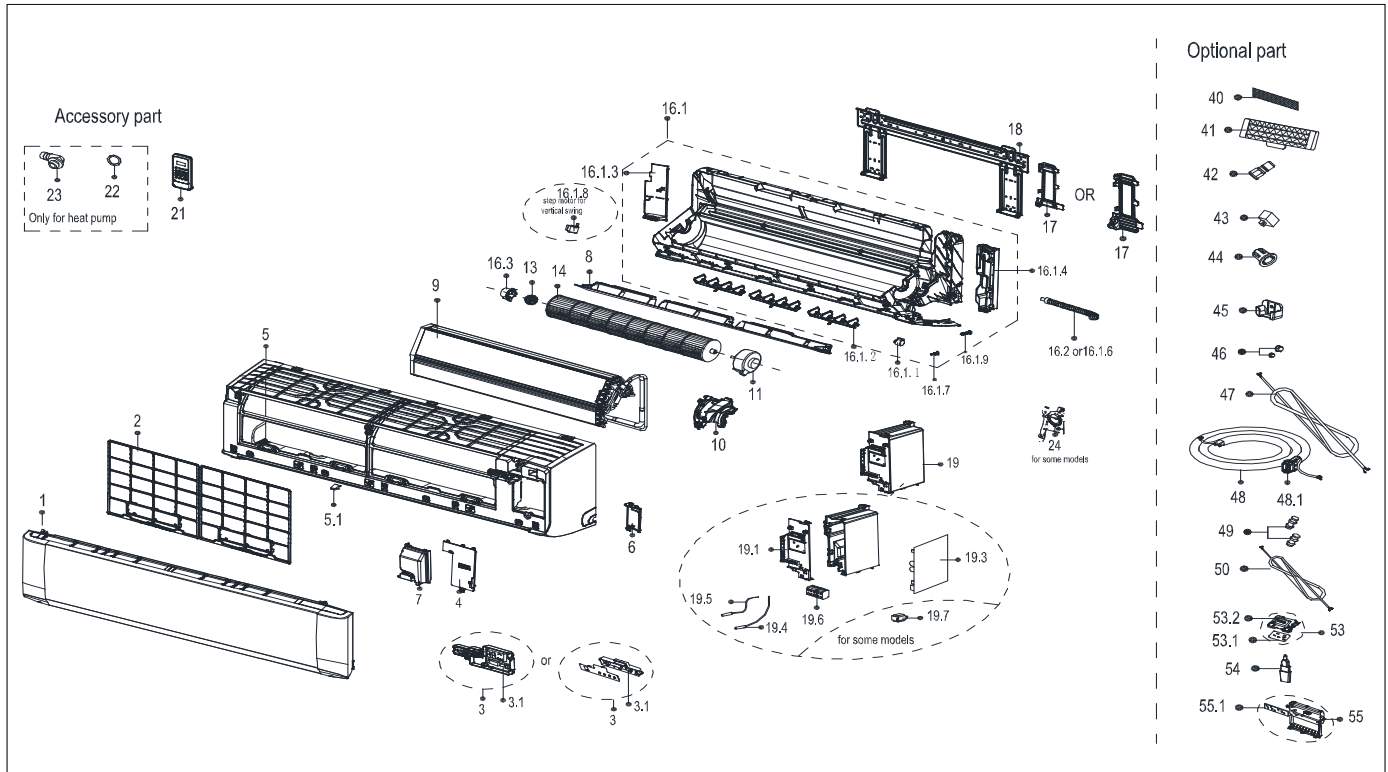


# Exploded View

**Model** CAC18CD(I)-WI (291)

**ComfortStar®**

**Service code:** 291



EX_ID	Spare Parts Code	Part Name(EN)	Qty.	Price	Remarks
1	12122000026095	Panel assembly	1		CE-KFR53G/N1Y-AG11.1(T,J)
2	12100204000397	Air filter	2		
3	17222000041638	Display box assembly	1		
3.1	17122000060201	Display board assembly	1		EU-KFR26G/N1Y-AG.JD.GN.WXXS
4	12122000024739	Cover for electrical parts	1		
5	12122000025561	Panel frame assembly	1		
5.1	12122000013139	Screw cover	1		
6	12122000004592	Right cover of chassis	1		
7	12122000032628	Cover of wiring terminal	1		
8	12122000025565	Horizontal louver	1		

9	15822000008720	evaporator assembly	1		
10	12122000005538	Motor Cover	1		
11	11002015017672	Motor	1		ZKFP-30-8-297L
13	12622000000131	bearing base	1		
14	12100102000131	Cross flow fan	1		GL-98*758-I
16	12122000025646	Chassis assembly	1		
16.1	12122000026402	Chassis assembly	1		
16.1.1	11002010000077	Stepper motor	1		SM-30-17-12-15
16.1.2	12122000008961	louver assembly	3		
16.1.3	12122000004612	Left cover of chassis	1		
16.1.4	12122000026403	Electric control box bracket	1		
16.1.6	12100501000032	Drain pipe joint	1		
16.1.7	12122000000344	Insulated axis	1		
16.1.9	12622000000030	Drainage plug	1		
16.3	12122000000350	bearing holder	1		
17	12122000012941	Pipe clamp board	1		
18	12222000000026	Installation plate	1		
19	17222000043534	Structural components of indoor electric control box	1		
19.3	17122000063186	Indoor main control board subassembly	1		CAMX- KF53G/BP3N8Y- CGQ-
19.4	11201007003424	Ambient temperature sensor subassembly	1		WD/SW4100- CGQ-
19.5	11201007003447	Pipe temperature sensor subassembly	1		WD/GW4100-
19.6	17400401000576	Terminal block	1		JXZ-AD5ZG2-A
20	12122000032643	Cover of electronic control box	1		
21	17317000007274	remote controller	1		RG51A(2)/E
40	12100204000685	Air freshening filter	1		
46	15500406000016	Copper nut	1		TLM-A01
46	15500406000012	Copper nut	1		TLM-C03