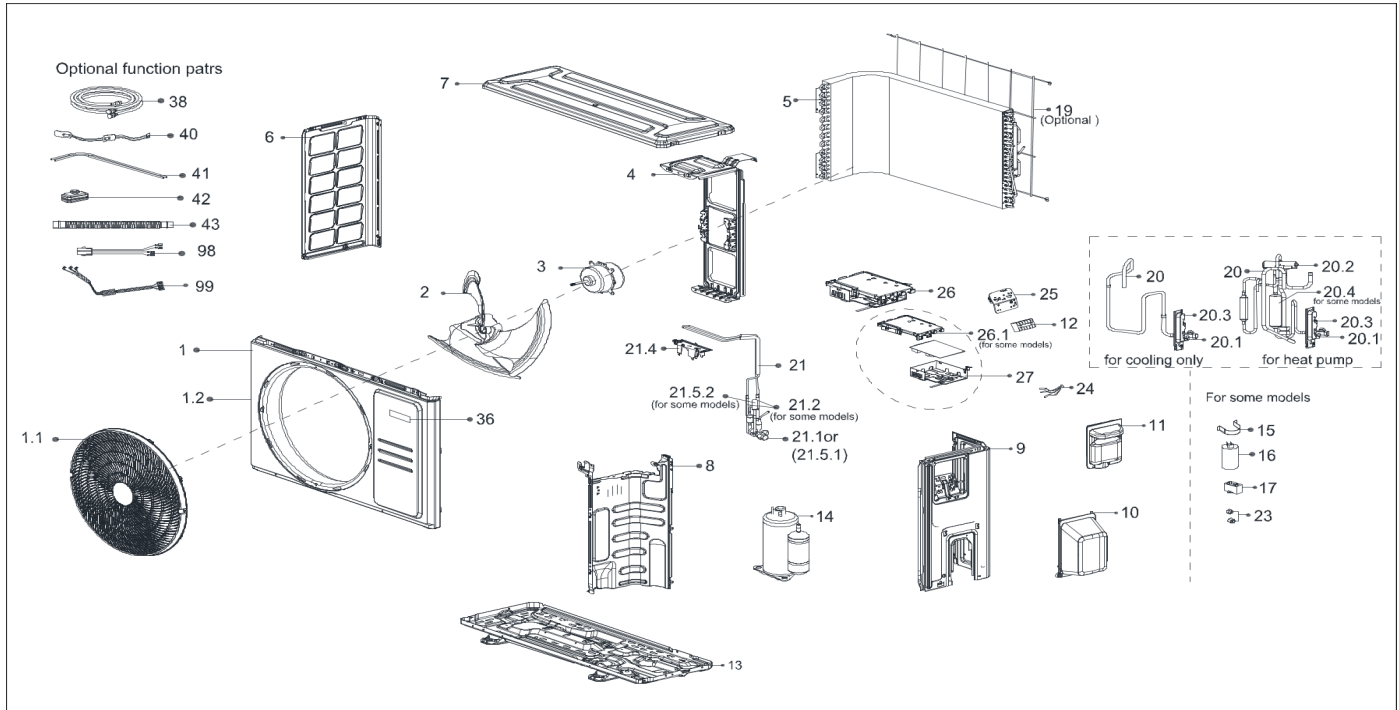


Exploded View

Model CAC18CD(O) (20E)

ComfortStar®

Service code: 20E



| EX_ID | Spare Parts Code | Part Name(EN) | Qty. | Price | Remarks |
|-------|------------------|------------------------|------|-------|---------|
| 1 | 12222000013304 | Front panel assembly | 1.00 | | |
| 1.1 | 12122000026241 | Air-Out Mesh Enclosure | 1.00 | | |
| 1.2 | 12222000013305 | Front panel | 1.00 | | |
| 2 | 12100105000961 | Axial Flow Fan | 1.00 | | |
| 3 | 11002015016402 | Brushless DC Motor | 1.00 | | |
| 4 | 12222000013233 | Motor Bracket | 1.00 | | |
| 5 | 15822000A17720 | Condenser Assembly | 1.00 | | |
| 6 | 12222000013238 | Left Side Panel | 1.00 | | |
| 7 | 12222000013240 | Top Cover Assembly | 1.00 | | |
| 8 | 12222000013232 | Partition Plate | 1.00 | | |

| | | | | | |
|------|----------------|------------------------------------|------|--|--|
| 9 | 12222000013225 | Right Clapboard Assembly | 1.00 | | |
| 10 | 12122000007150 | Water Collector | 1.00 | | |
| 11 | 12122000031166 | Big Handle Assembly | 1.00 | | |
| 12 | 17400401000075 | Terminal | 1.00 | | |
| 13 | 12222000013228 | Chassis Assembly | 1.00 | | |
| 14 | 11103020005082 | DC Inverter Rotary Compressor | 1.00 | | |
| 19 | 12222000015606 | Rear net | 1.00 | | |
| 20 | 15422000024235 | Gas valve assembly | 1.00 | | |
| 20.1 | 15500204000262 | Gas valve | 1.00 | | |
| 20.3 | 12222200005738 | Valve Plate | 1.00 | | |
| 21 | 15422000025596 | Liquid valve assembly | 1.00 | | |
| 21.1 | 15500208000028 | High Pressure Valve | 1.00 | | |
| 21.4 | 12122000034610 | U-Typed Support with Copper Pipe | 1.00 | | |
| 24 | 11201011000187 | Combination Sensor | 1.00 | | |
| 25 | 12222000002259 | Terminal Board | 1.00 | | |
| 26 | 17222000043533 | Electronic Control Box Subassembly | 1.00 | | |
| 26.1 | 12122000034502 | Cover of electronic control box | 1.00 | | |
| 27 | 12222000018885 | Electronic Installing Box | 1.00 | | |
| 36 | 16022000C95520 | Trademark | 1.00 | | |
| 38 | 15111600A00020 | Connecting Pipe Assembly | 1.00 | | |
| 43 | 12100509000059 | Drain Hose | 1.00 | | |
| 99 | 17401203012697 | Compressor Wires Subassembly | 1.00 | | |