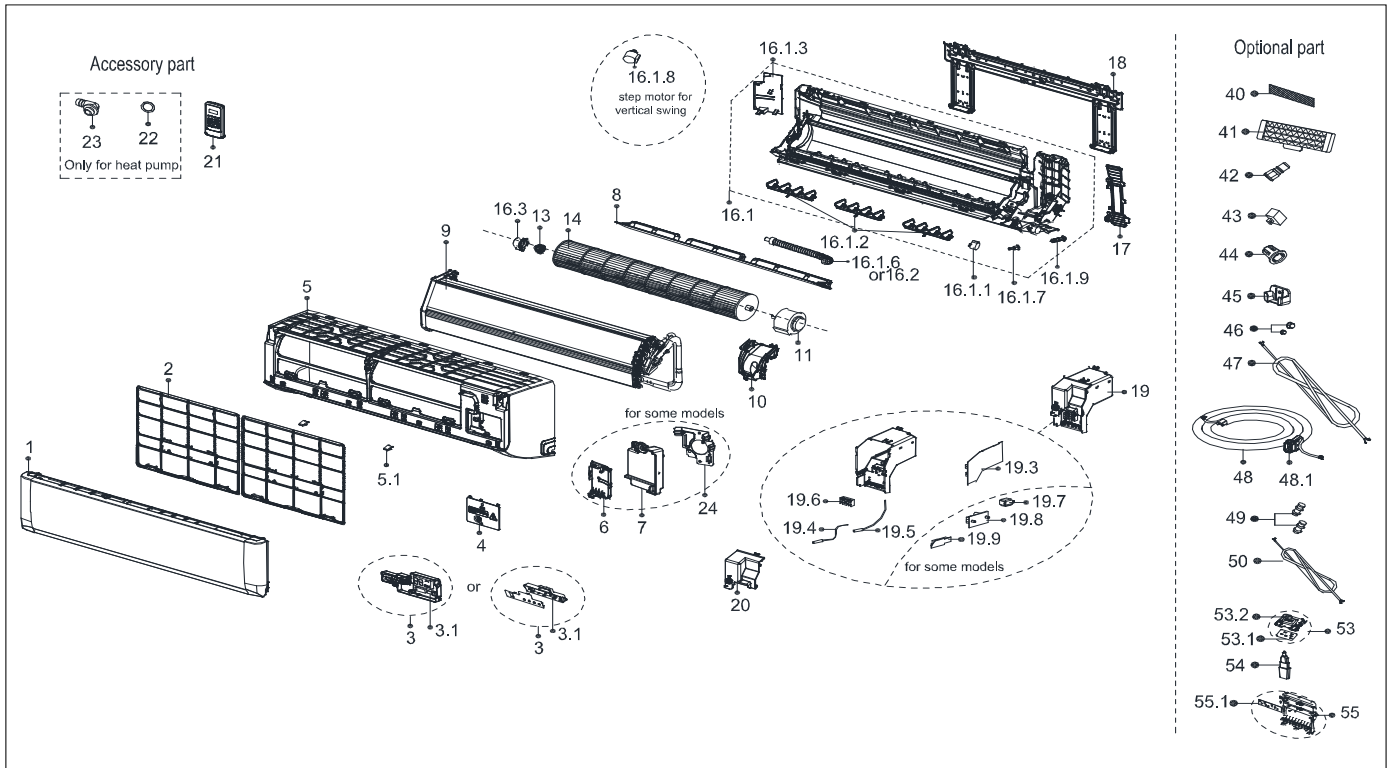


Exploded View

Model CAC24CD(I)-WI (293)

ComfortStar®

Service code: 293



EX_ID	Spare Parts Code	Part Name(EN)	Qty.	Price	Remarks
1	12122000026093	Panel assembly	1		CE-KFR70G\$N1Y-
2	12100204000461	Air filter	2		
3	17222000042377	Display box assembly	1		
3.1	17122000060201	Display board assembly	1		EU-KFR26G/N1Y-AG.JD.GN.WXXS
4	12122000025611	Cover for electrical parts	1		
5	12122000025606	Panel frame assembly	1		
5.1	12122000013139	Screw cover	2		
6	12122000004608	Right cover of chassis	1		
8	12122000025607	Horizontal louver	1		
9	15822000008710	evaporator assembly	1		

10	12122000005512	Motor Cover	1		
11	11002015017613	Motor	1		ZKFP-58-8-20L
13	12622000000131	bearing base	1		
14	12100102000018	Cross flow fan	1		GL-108*818
16	12122000025618	Chassis assembly	1		
16.1	12122000026445	Chassis assembly	1		
16.1.1	11002010000049	Stepper motor	1		SM-30-17-12-14
16.1.2	12122000000135	louver assembly	3		
16.1.3	12122000004614	Left cover of chassis	1		
16.1.6	12100501000032	Drain pipe joint	1		
16.1.7	12122000000344	Insulated axis	1		
16.1.9	12622000000030	Drainage plug	1		
16.3	12122000000350	bearing holder	1		
17	12122000012942	Pipe clamp board	1		
18	12222000000026	Installation plate	1		
19	17222000043531	Structural components of indoor electric control	1		
19.3	17122000063182	Indoor main control board subassembly	1		CAMX- KF65G/BP3N8Y- CGQ-
19.4	11201007003425	Ambient temperature sensor subassembly	1		WD/SW4100- CGQ-
19.5	11201007003445	Pipe temperature sensor subassembly	1		WD/GW4100-
19.6	17400401000576	Terminal block	1		JXZ-AD5ZG2-A
20	12122000005024	Cover of electronic control box	1		
21	17317000007274	remote controller	1		RG51A(2)/E
40	12100204000685	Air freshening filter	1		
46	15500406000010	Copper nut	1		TLM-B02
46	15500406000003	Copper nut	1		TLM-D04