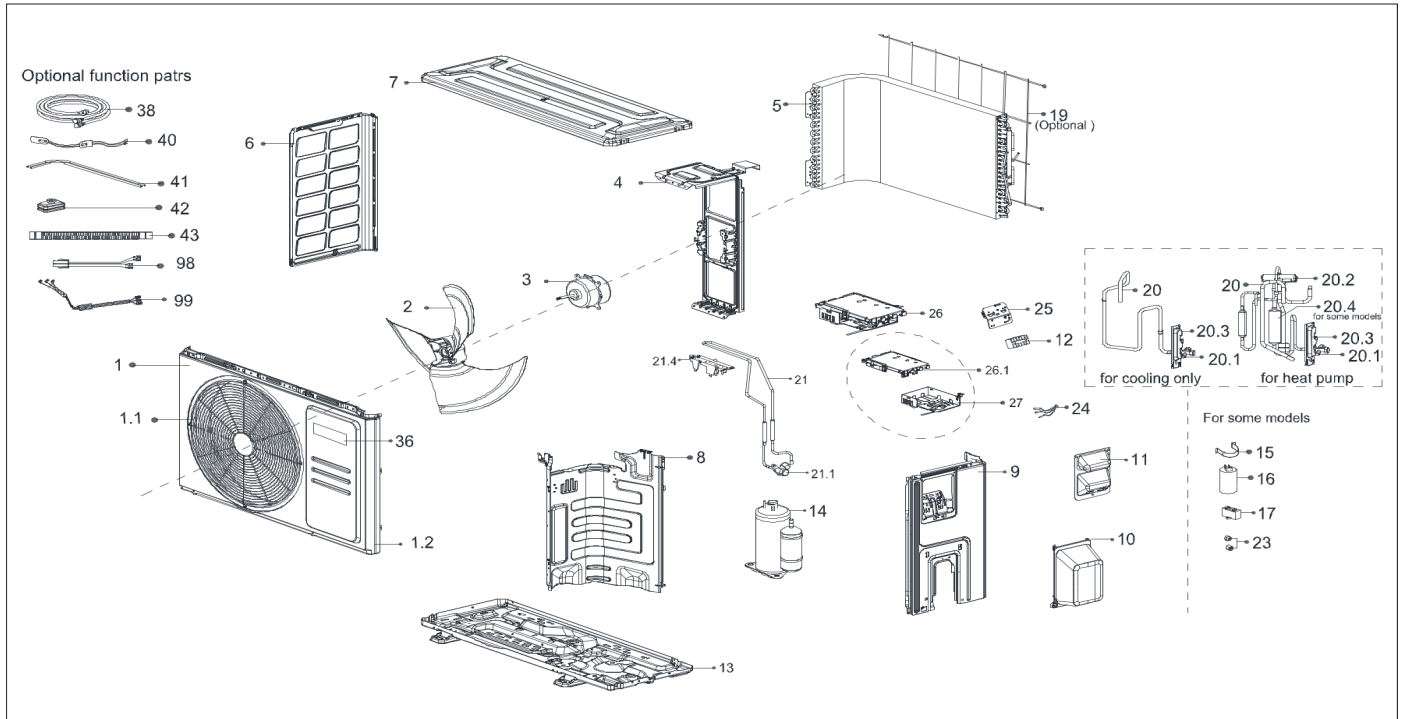


Exploded View

Model CAC24CD(O) (20G)

Service code: 20G

ComfortStar®



EX_ID	Spare Parts Code	Part Name(EN)	Qty.	Price	Remarks
1	12222000013385	Front panel assembly	1.00		
1.1	12122000026241	Air-Out Mesh Enclosure	1.00		
1.2	12222000013386	Front panel	1.00		
2	12100105000881	Axial Flow Fan	1.00		
3	11002015018558	Brushless DC Motor	1.00		
4	12222000013200	Motor Bracket	1.00		
5	15822000014027	Condenser assembly	1.00		
6	12222000013197	Left Side Panel	1.00		
7	12222000013193	Top Cover Assembly	1.00		
8	12222000013208	Partition Plate	1.00		

9	12222000013190	Right Clapboard Assembly	1.00		
10	12122000007150	Water Collector	1.00		
11	12122000031166	Big Handle Assembly	1.00		
12	17400401000075	Terminal	1.00		
13	12222000013204	Chassis Assembly	1.00		
14	11103020003919	DC Inverter Rotary Compressor	1.00		
19	12222000013667	Rear net	1.00		
20	15422000018053	Gas valve assembly	1.00		
20.1	15500204000502	Gas Valve	1.00		
20.3	12222200005738	Valve Plate	1.00		
21	15422000025575	Liquid Valve Assembly	1.00		
21.1	15500208000286	Liquid Valve	1.00		
21.4	12122000034775	U-Typed Support with Copper Pipe	1.00		
24	11201011000187	Combination Sensor	1.00		
25	12222000002259	Terminal Board	1.00		
26	17222000043532	Electronic Control Box Subassembly	1.00		
26.1	12122000032542	Cover of electronic control box	1.00		
27	12222000019045	Electronic Installing Box	1.00		
36	16022000C34257	Trademark	1.00		
38	15111600A00018	Connecting Pipe Assembly	1.00		
43	12100509000059	Drain Hose	1.00		
99	17401203012697	Compressor Wires Subassembly	1.00		